

[54] DESIGN FOR A BOAT

[75] Inventors: **Forrest L. Wood; Mickey C. Wood**, both of Flippin; **Dale H. Jensen**, Everton; **Kenneth P. Poley**, Yellville; **Charles C. Hoover**, Bull Shoals; **Gary L. Wilson**, Flippin, all of Ark.

[73] Assignee: **Wood Manufacturing Company, Incorporated**, Flippin, Ark.

[\*\*] Term: **14 Years**

[21] Appl. No.: **270,794**

[22] Filed: **Jun. 5, 1981**

[51] Int. Cl. .... **D12-06**  
[52] U.S. Cl. .... **D12/300**  
[58] Field of Search ..... **D12/300**

[56] **References Cited**

**U.S. PATENT DOCUMENTS**

D. 224,362 7/1972 Wilson ..... D12/300

**OTHER PUBLICATIONS**

Ebbtide 1978, Brochure, Dyna-Trak 176 boat, p. 4.

*Primary Examiner*—A. Hugo Word  
*Attorney, Agent, or Firm*—Colton & Stone, Inc.

[57] **CLAIM**

The ornamental design for a boat, substantially as shown and described.

**DESCRIPTION**

FIG. 1 is a perspective view of the boat of the present invention;

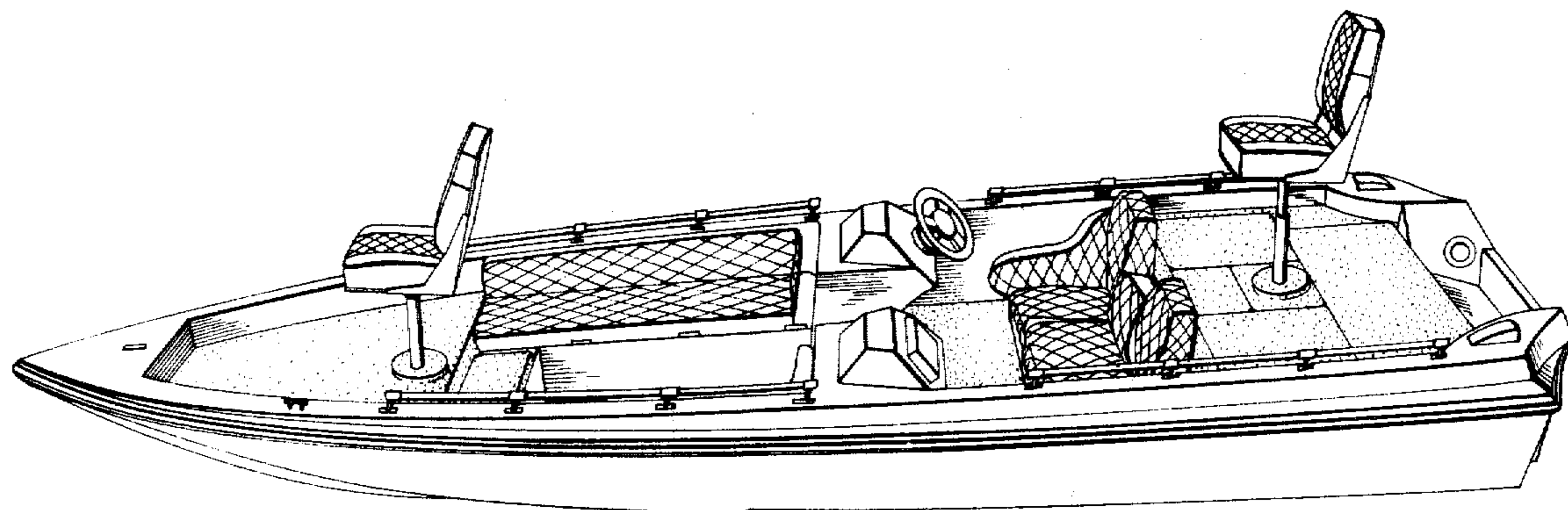
FIG. 2 is a top plan view thereof;

FIG. 3 is an elevational view of the right side thereof, the left side being a mirror image of the right side;

FIG. 4 is a bottom plan view thereof;

FIG. 5 is a front elevational view thereof; and

FIG. 6 is a rear elevational view thereof.



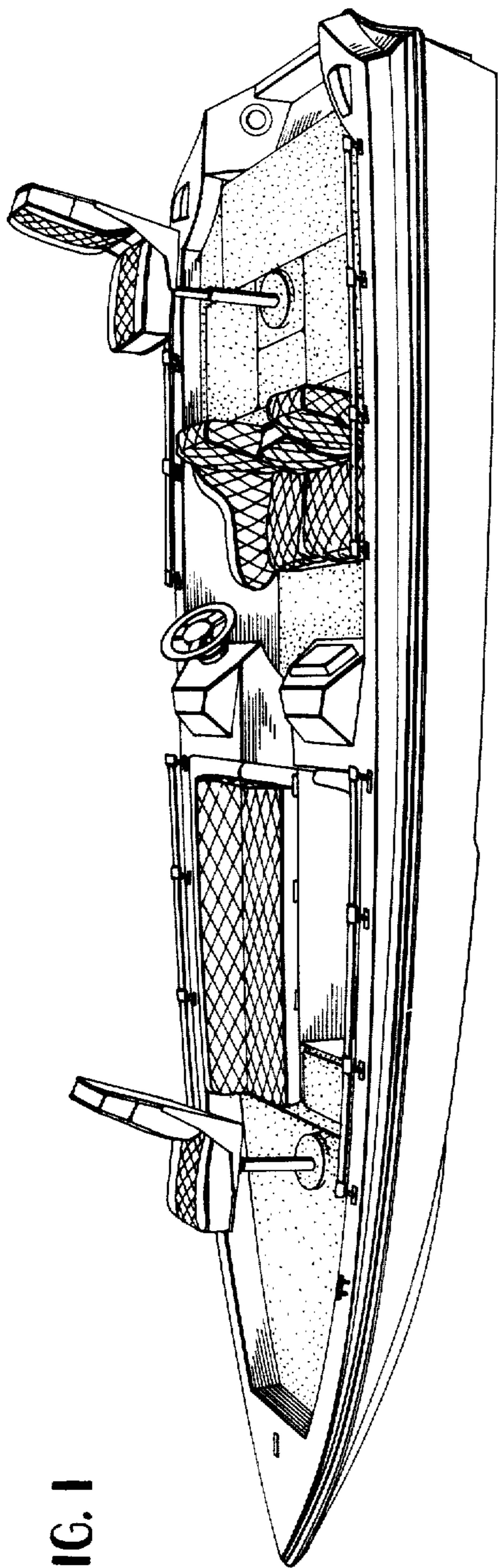


FIG. 1

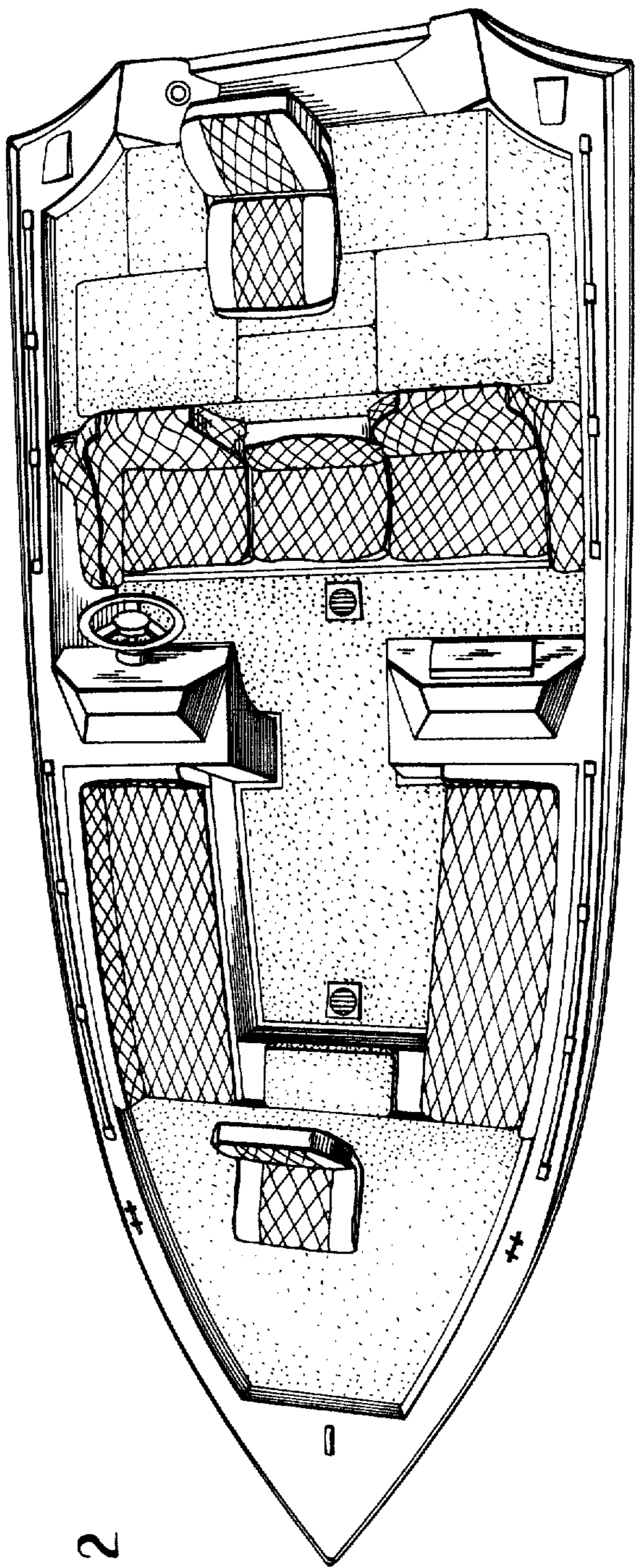


FIG. 2





FIG. 3

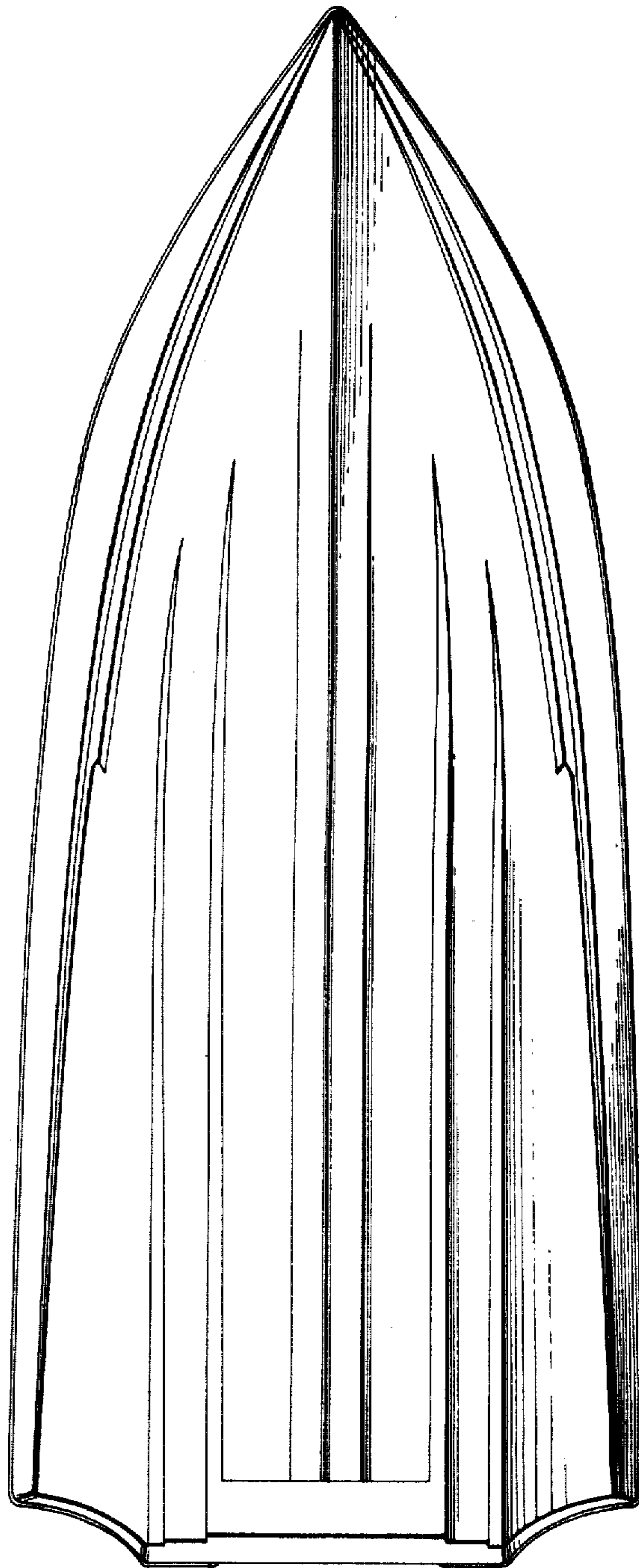


FIG. 4

FIG. 5

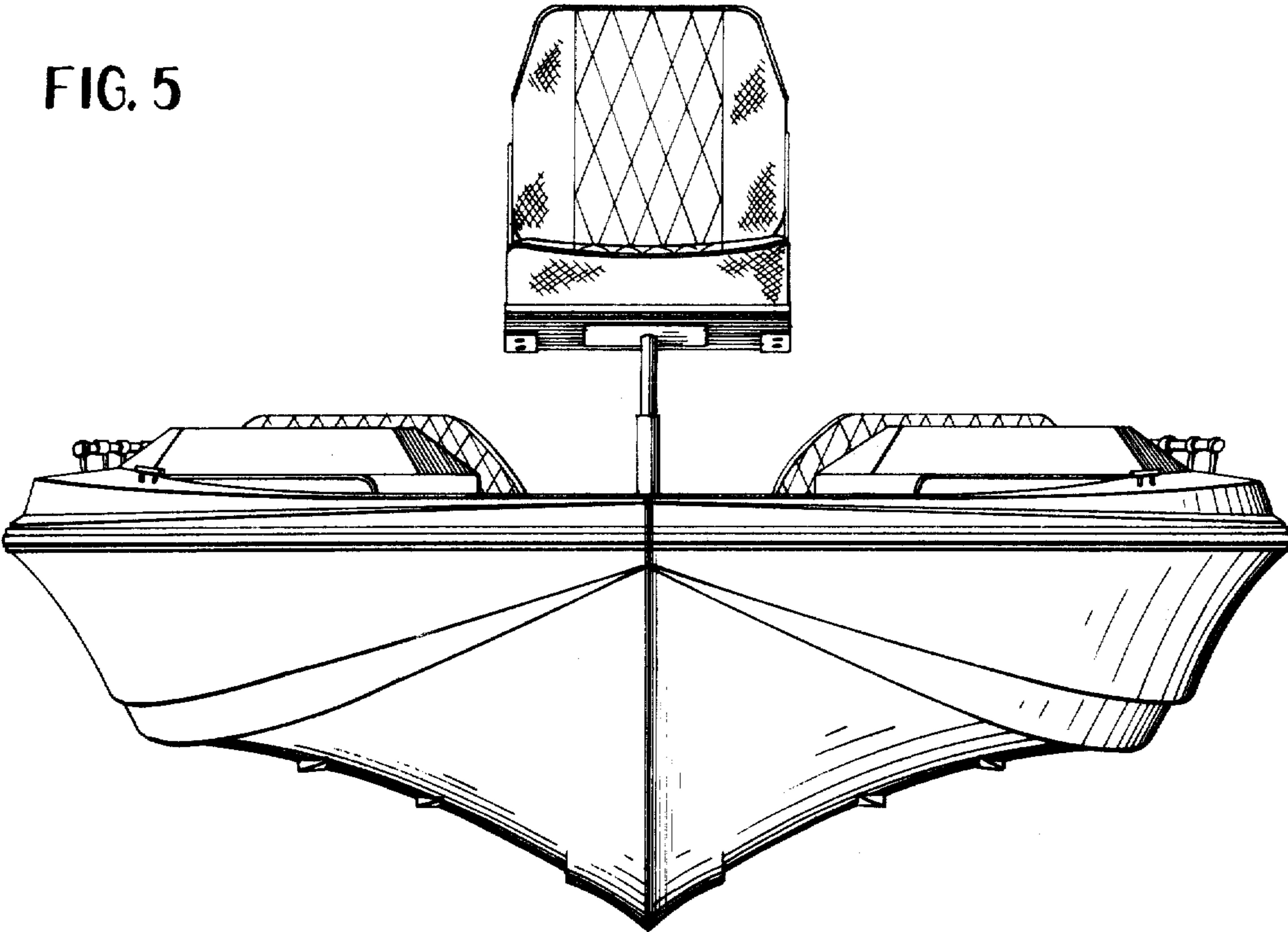


FIG. 6

