

[54] **SIGNALLING DEVICE FOR DETECTING WAVES IN A BODY OF WATER**

[75] Inventor: **R. Douglas Creelman, Weston, Canada**

[73] Assignee: **Georgian Manufacturing Ltd., Don Mills, Canada**

[**] Term: **14 Years**

[21] Appl. No.: **266,897**

[22] Filed: **May 26, 1981**

[51] Int. Cl. **D10-05**

[52] U.S. Cl. **D10/106; D10/104**

[58] Field of Search **D10/104, 106; 340/693, 340/545, 547, 555, 578, 584, 586, 566**

[56] **References Cited**

U.S. PATENT DOCUMENTS

D. 260,975	9/1981	Lam	D10/106
D. 262,868	2/1982	Westphal	D10/106
4,203,097	5/1980	Ganning	340/566
4,325,060	4/1982	Putell et al.	340/693

Primary Examiner—Wallace R. Burke
Assistant Examiner—Suzanne N. Gitlin

[57] **CLAIM**

The ornamental design for a signalling device for detecting waves in a body of water, as shown and described.

DESCRIPTION

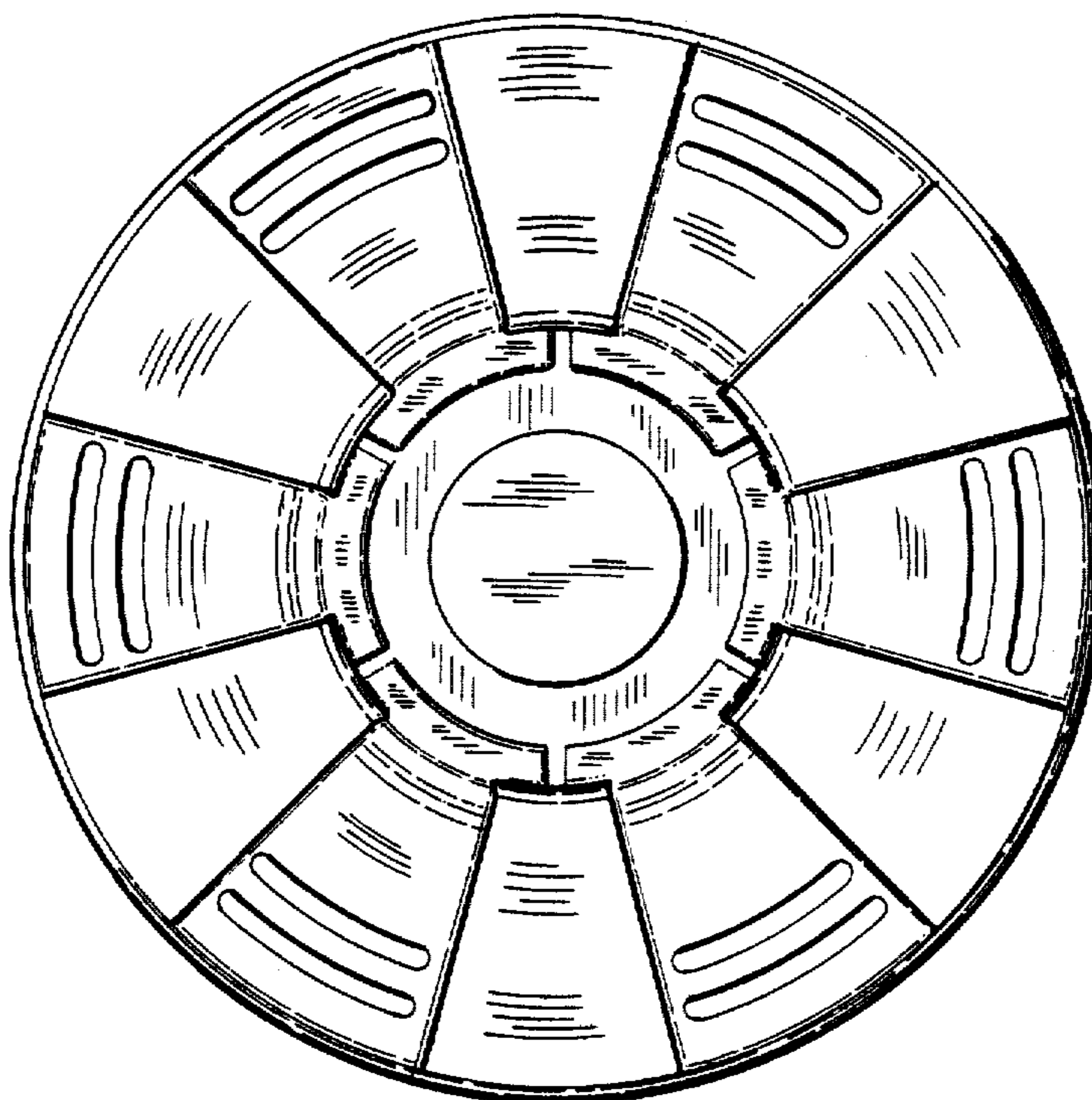
FIG. 1 is a top perspective view of a signalling device for detecting waves in a body of water showing my new design;

FIG. 2 is a top plan view thereof;

FIG. 3 is a side elevational view thereof;

FIG. 4 is a bottom plan view thereof;

FIG. 5 is a bottom perspective view thereof.



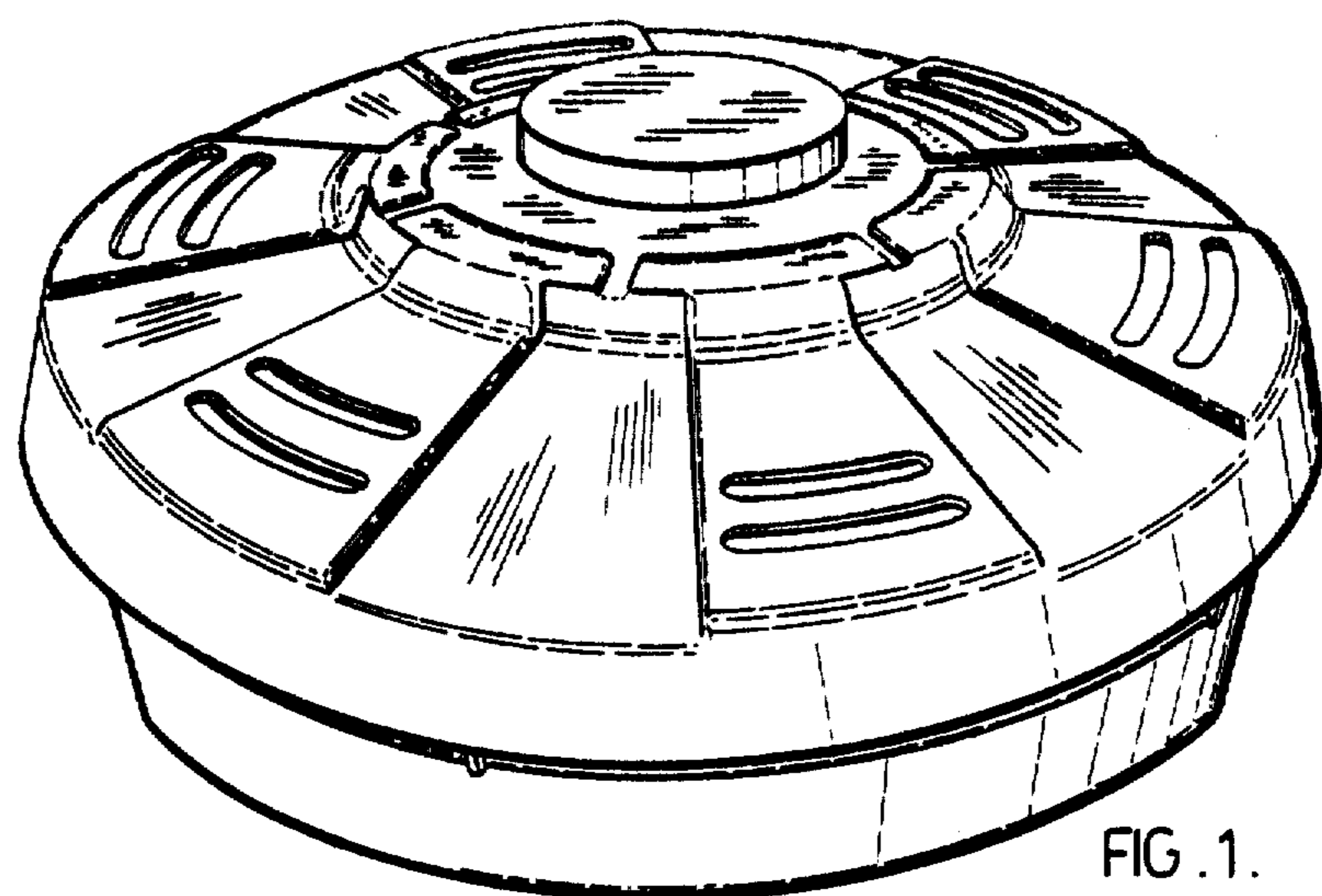


FIG. 1.

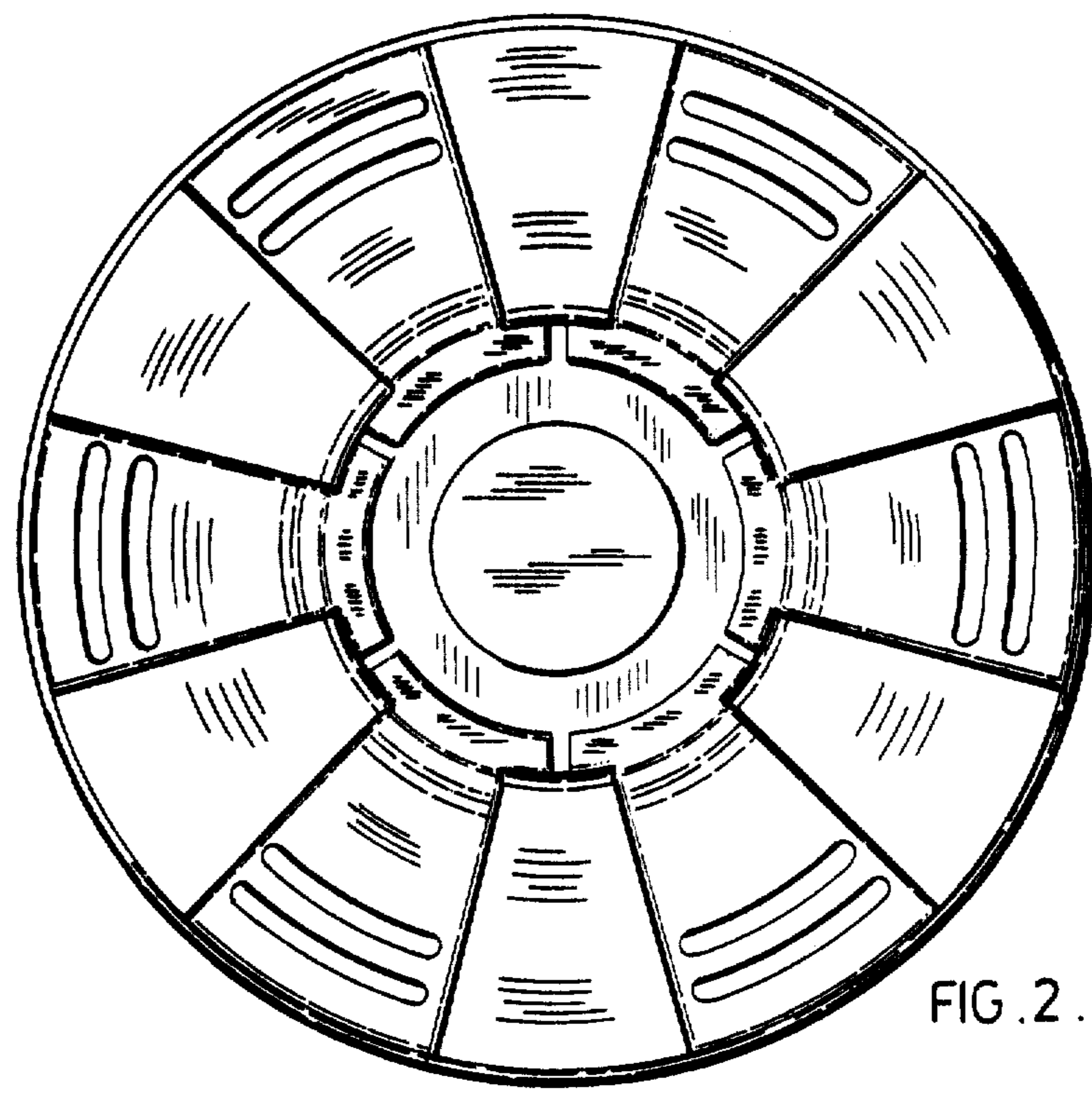


FIG. 2.

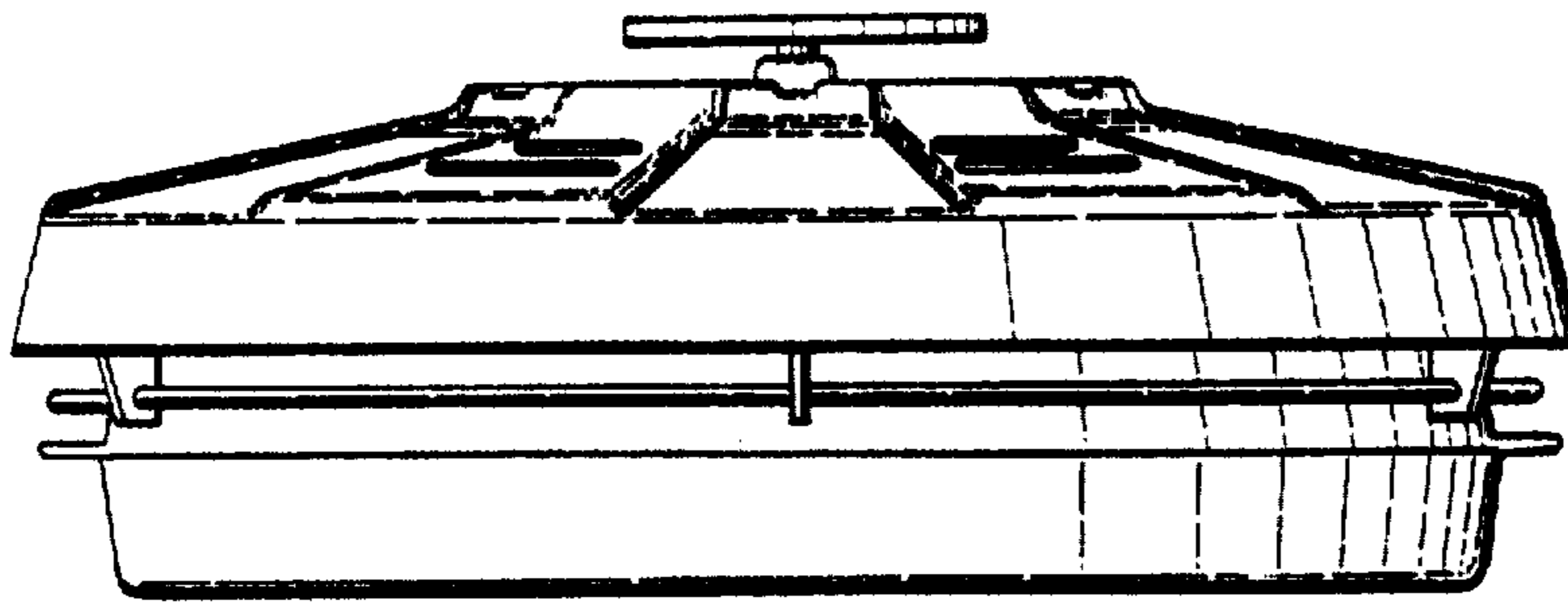


FIG. 3.

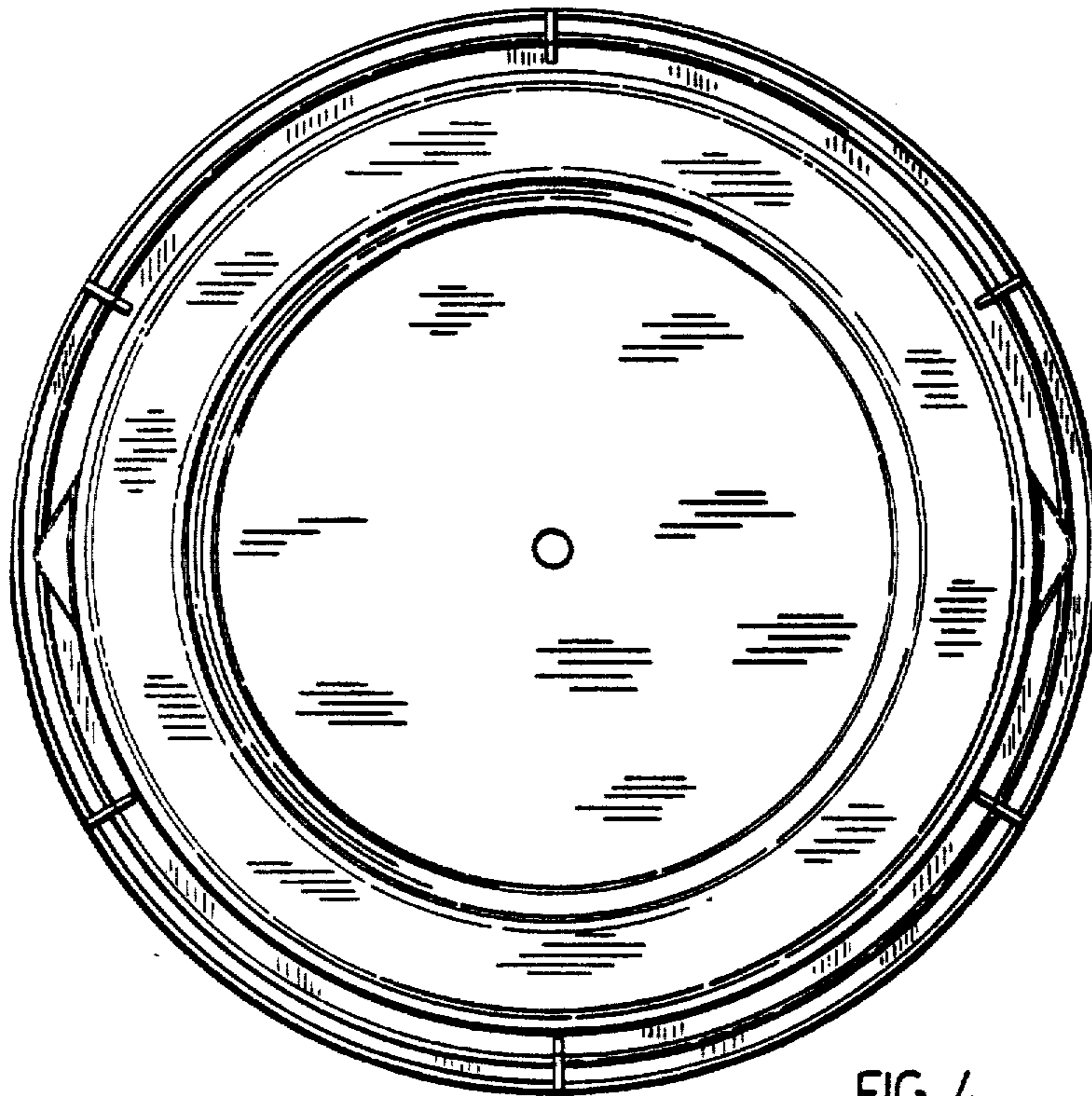


FIG. 4.

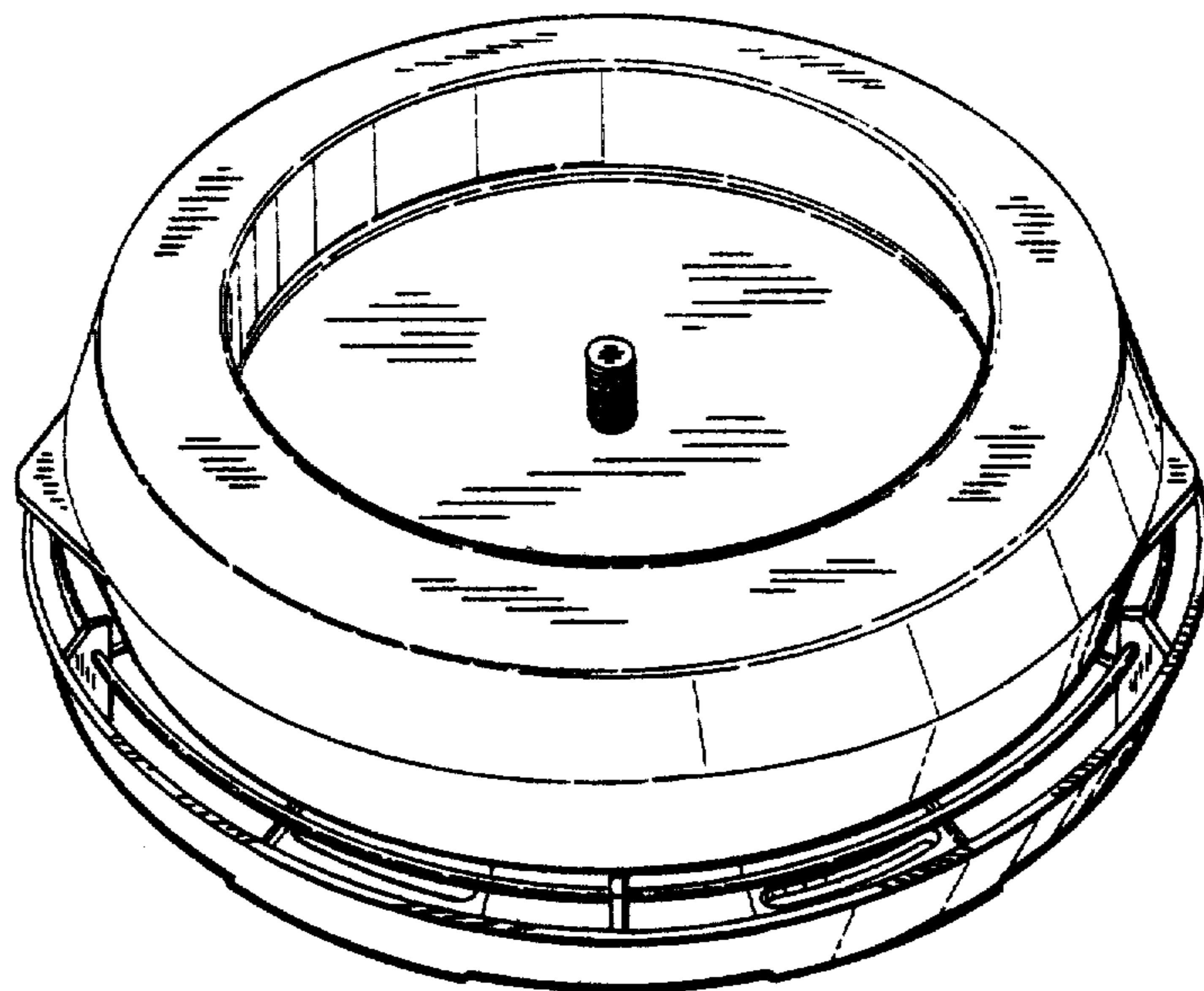


FIG. 5.