

[54] HIGH TEMPERATURE, HIGH PRESSURE FILTER PRESS FOR TESTING DRILLING FLUIDS OR SIMILAR APPARATUS

D. 233,509	11/1974	McHone	.....	D10/84
D. 260,739	9/1981	Randolph	.....	D10/83
3,474,663	10/1969	Whitmer et al.	.....	73/54
4,072,045	2/1978	Kopito	.....	73/54
4,312,216	1/1982	Beaudoin et al.	.....	73/54

[75] Inventor: David E. Cain, Houston, Tex.

[73] Assignee: Halliburton Company, Duncan, Okla.

[\*\*] Term: 14 Years

[21] Appl. No.: 263,442

[22] Filed: Aug. 6, 1981

[51] Int. Cl. .... D10-04

[52] U.S. Cl. .... D10/83; D24/8

[58] Field of Search ..... D10/83, 84; 73/57, 59, 73/54; D24/8, 99

Primary Examiner—Bernard Ansher  
Attorney, Agent, or Firm—James R. Duzan; Thomas R. Weaver

[57] CLAIM

The ornamental design for a high temperature, high pressure filter press for the testing of drilling fluids or similar apparatus, substantially as shown and described.

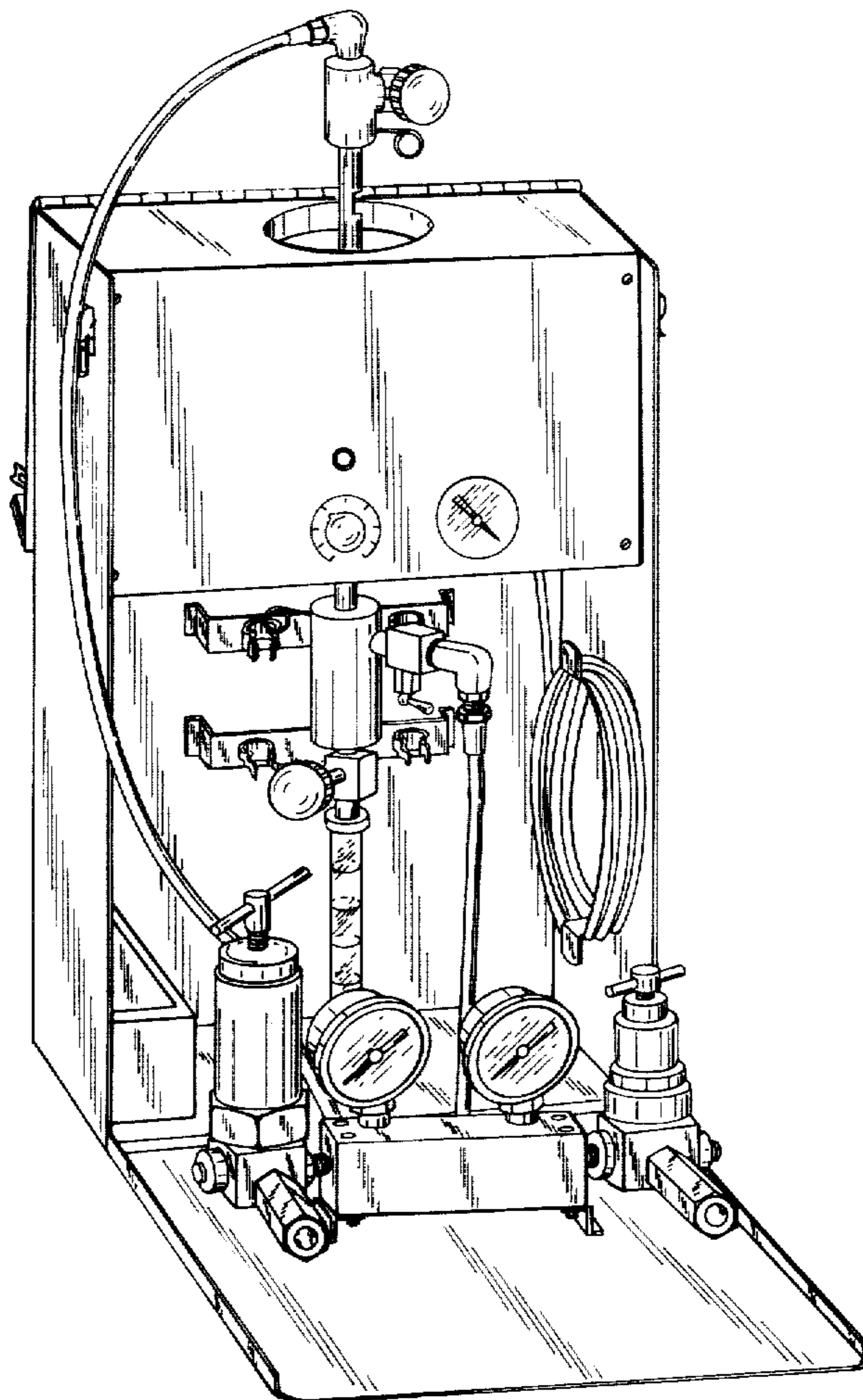
DESCRIPTION

FIG. 1 is a front perspective view of a high temperature, high pressure filter press for testing drilling fluids of my new design; and

FIG. 2 is a rear perspective view of a high temperature, high pressure filter press for testing drilling fluids of my new design.

[56] References Cited  
U.S. PATENT DOCUMENTS

D. 233,508	11/1974	Pinotti	.....	D10/84
------------	---------	---------	-------	--------



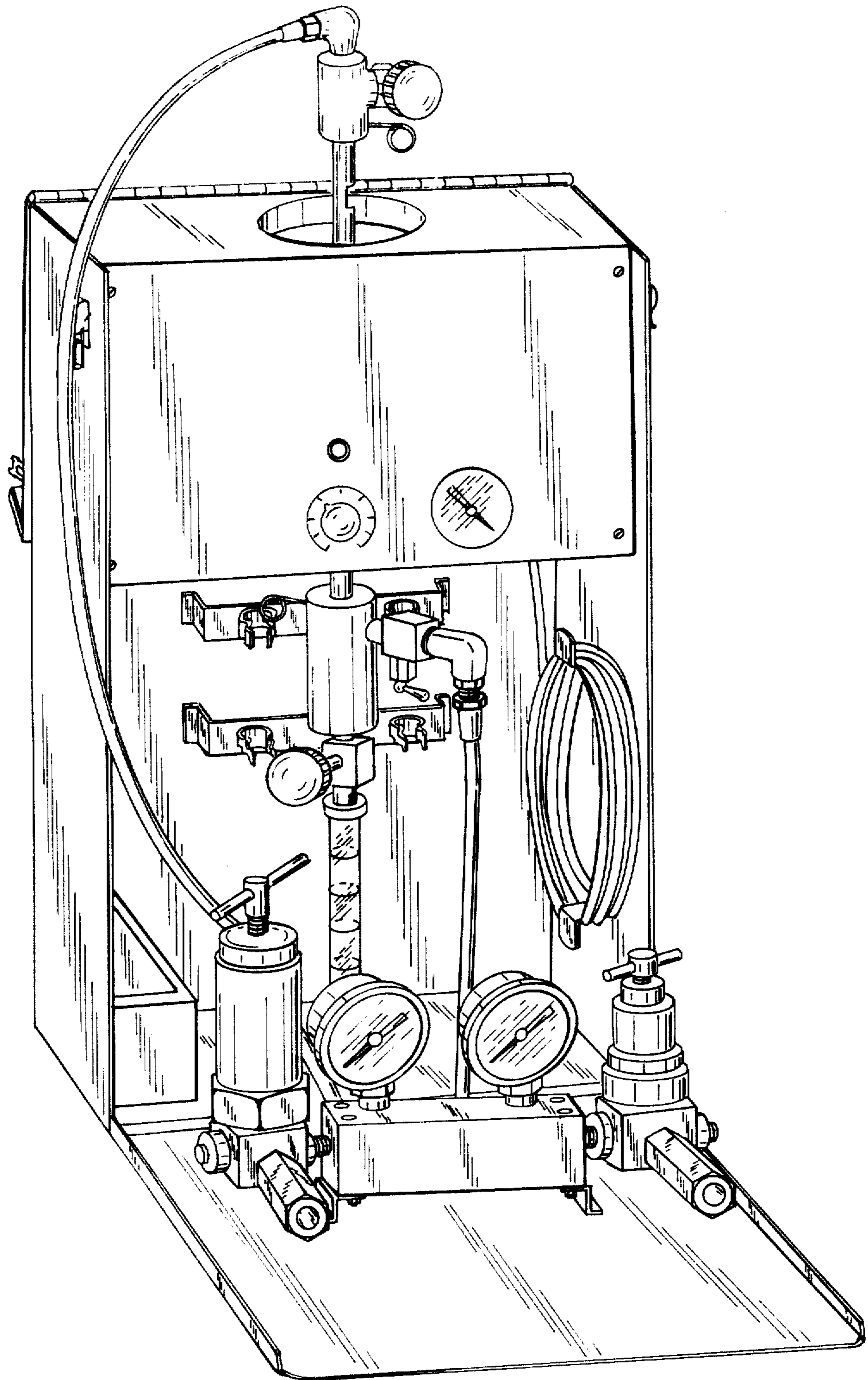


FIG. 1

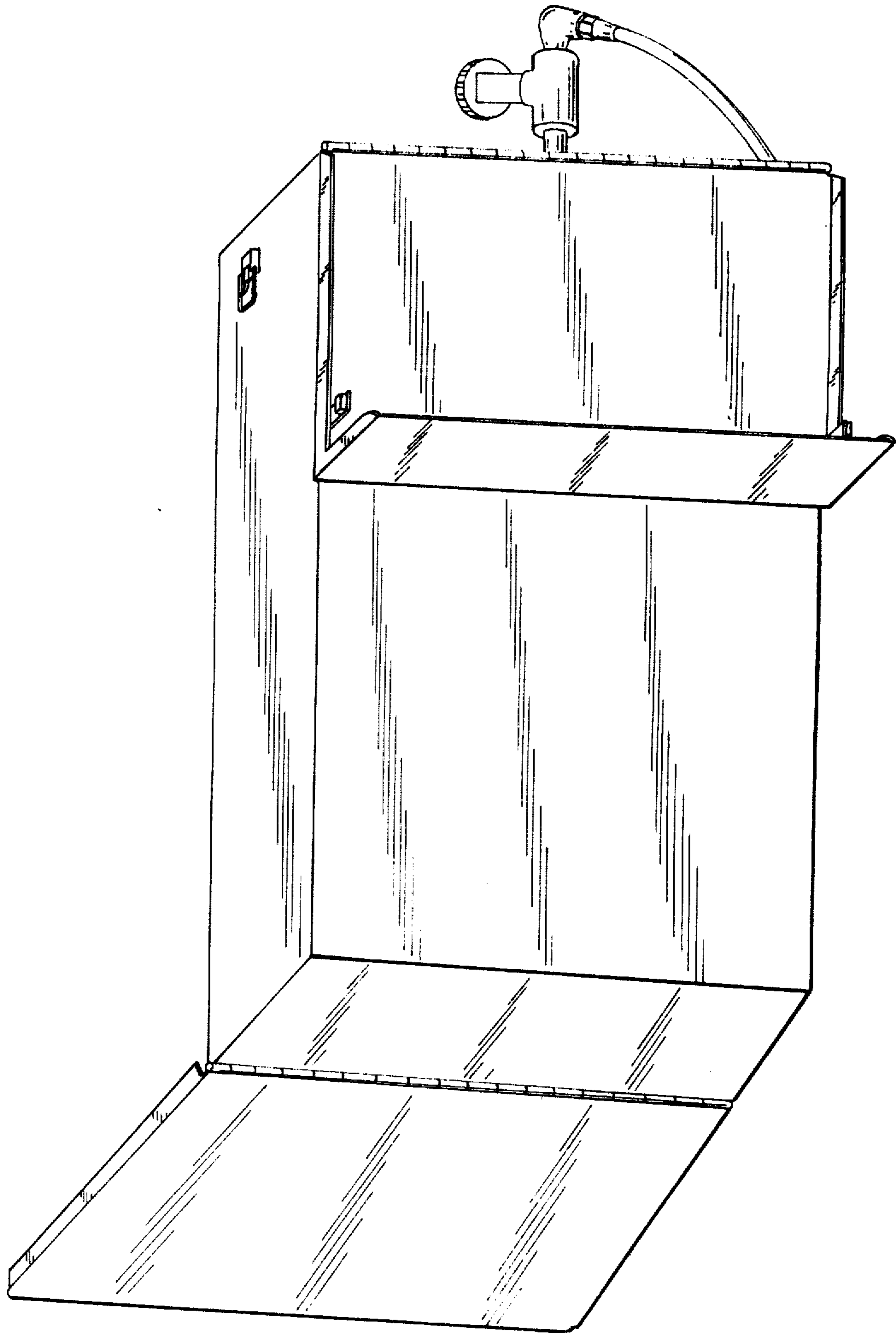


FIG. 2