

[54] CONTROL UNIT HOUSING FOR A CONTROL PANEL MOUNTED CONTROL STATION

[75] Inventors: Peter K. Lui, Mentor; Thomas Scheib, Chesterland; George S. Whaley, Eastlake, all of Ohio

[73] Assignee: The Babcock & Wilcox Company, New Orleans, La.

[**] Term: 14 Years

[21] Appl. No.: 256,261

[22] Filed: Apr. 21, 1981

[51] Int. Cl. D10-04

[52] U.S. Cl. D10/49

[58] Field of Search D10/46, 102, 103, 49, D10/50-53, 57, 60; 236/46 R, 94; 165/11, 12; 66/157-158, 163-164

D. 227,594 7/1973 Beck D10/46

D. 260,004 7/1981 Ohhasi D10/50

D. 264,449 5/1982 Izaki D10/75 X

D. 264,825 6/1982 Izaki D10/75 X

3,939,456 7/1976 Curtis 236/94 X

4,191,328 3/1980 Isaacs 165/12 X

4,296,727 10/1981 Bryan 165/12 X

4,316,256 2/1982 Hendricks 236/46 R X

Primary Examiner—Nelson C. Holtje
 Attorney, Agent, or Firm—Vytas R. Matas; Robert J. Edwards

[57] CLAIM

The ornamental design for a control unit housing for a control panel mounted control station, as shown.

DESCRIPTION

FIG. 1 is a perspective view of the control unit housing for a control panel mounted control station as viewed from the right side showing the top and front side of the device;

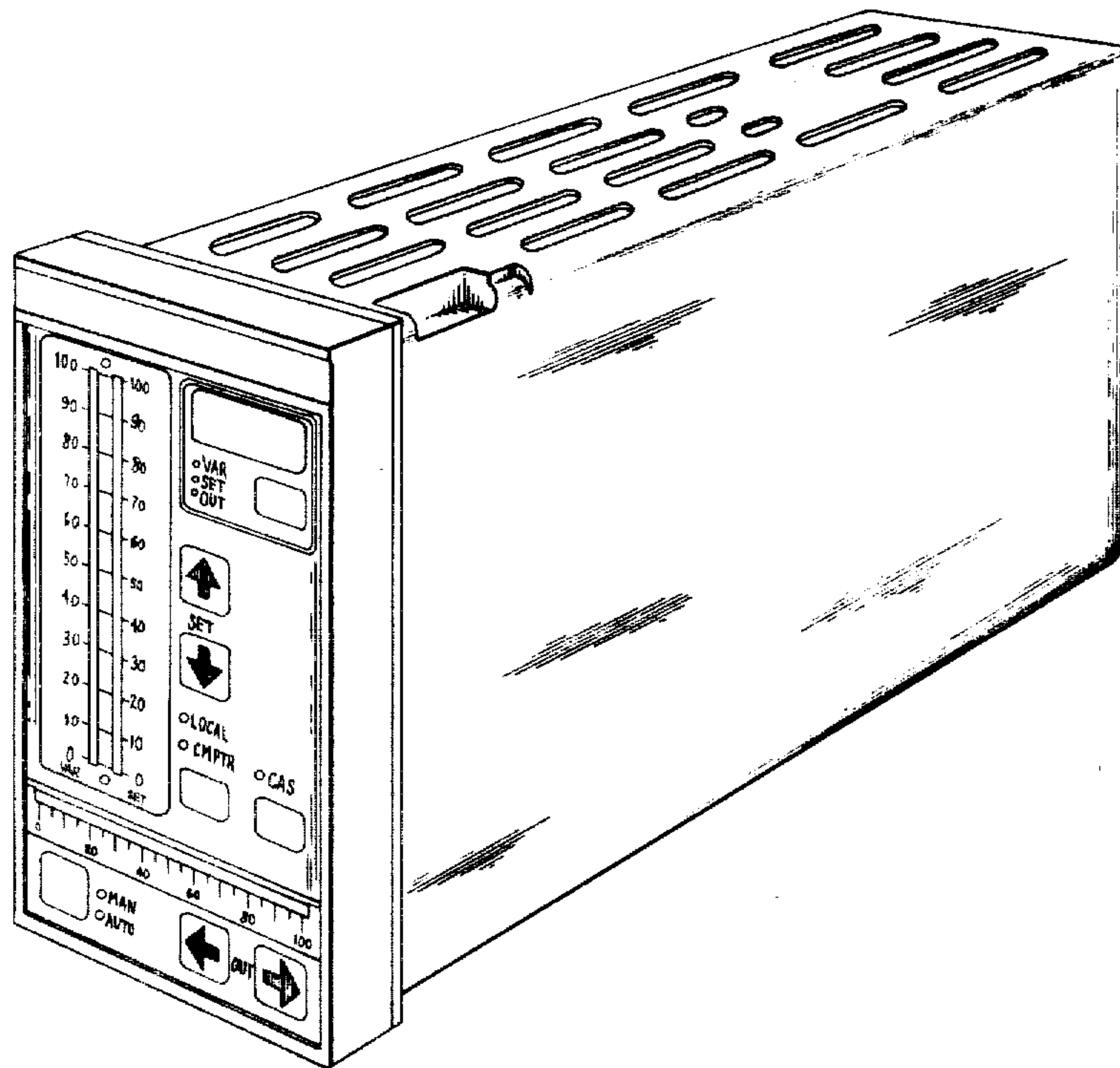
FIG. 2 is a rear view of the FIG. 1 device. The left and right side view of the FIG. 1 device are substantially identical as well as the top and bottom views of the device.

[56] References Cited

U.S. PATENT DOCUMENTS

D. 206,819 1/1967 Pastoric D10/49 X

D. 208,492 9/1967 Aldinger D10/49 X



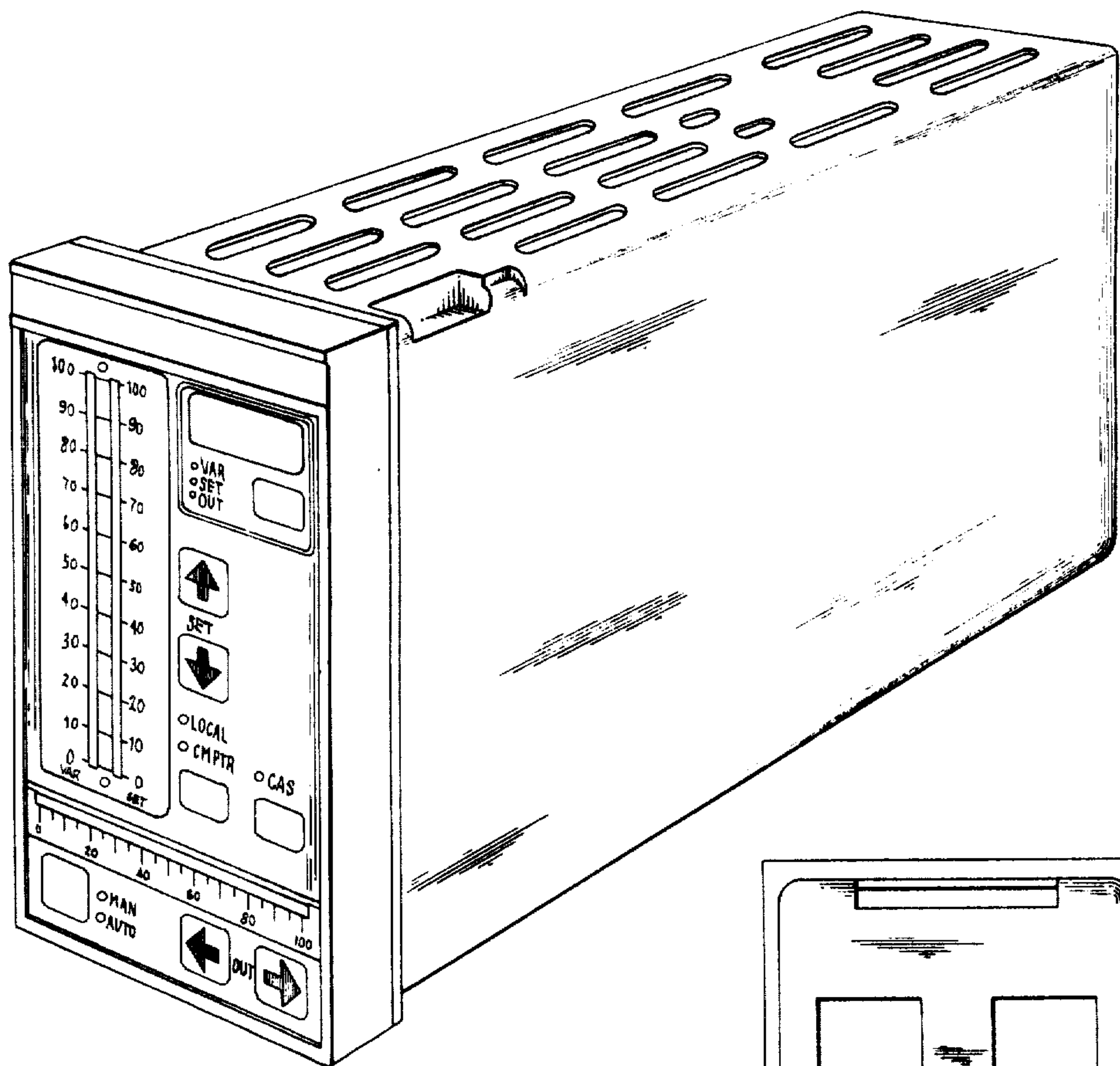


FIG. 1

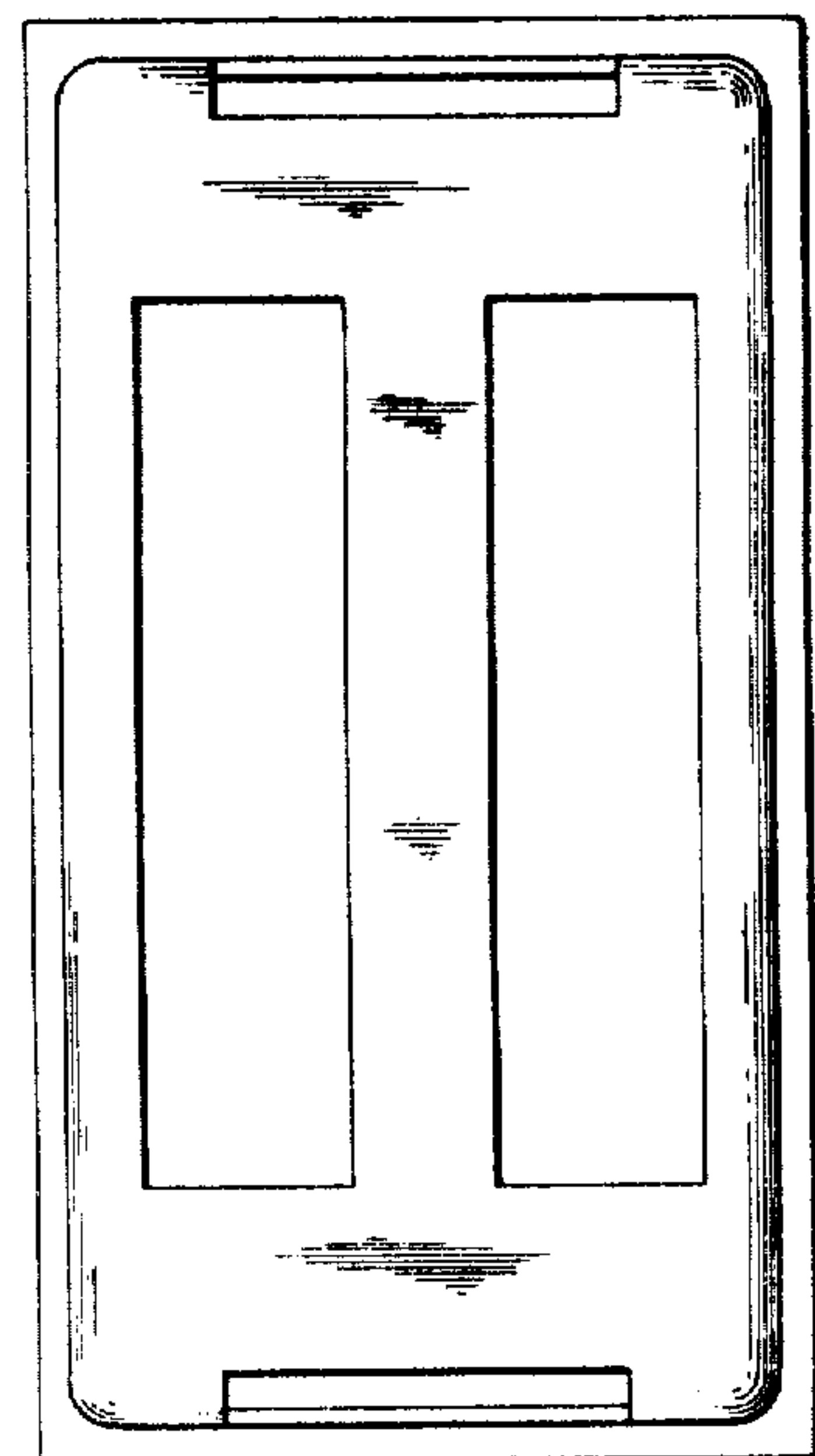


FIG. 2