

[54] BOTTLE

[76] Inventor: **Howard Cooper**, 67 W. Chestnut St., Chicago, Ill. 60610

[**] Term: **14 Years**

[21] Appl. No.: **312,279**

[22] Filed: **Oct. 15, 1981**

[51] Int. Cl. **D9-01**

[52] U.S. Cl. **D9/325**

[58] Field of Search D9/325, 349-355, D9/385, 390-399, 403; 215/1 R, 1 C

[56] **References Cited**

U.S. PATENT DOCUMENTS

- D. 226,476 3/1973 Cooper D9/325
- D. 226,519 3/1973 Cooper D9/325

- D. 232,074 7/1974 Cooper D9/325
- D. 243,229 2/1977 McDonald D9/355
- D. 243,316 2/1977 Reynolds D9/355
- D. 253,454 11/1979 Earle D9/355

Primary Examiner—Robert C. Spangler
Attorney, Agent, or Firm—Kenyon & Kenyon

[57] **CLAIM**

The ornamental design for bottle, substantially as shown and described.

DESCRIPTION

FIG. 1 is an elevational view of a bottle embodying my new design, the opposite side being the same in appearance as the side shown;
FIG. 2 is a top plan view; and
FIG. 3 is an enlarged sectional view taken on the line 3—3 of FIG. 1.

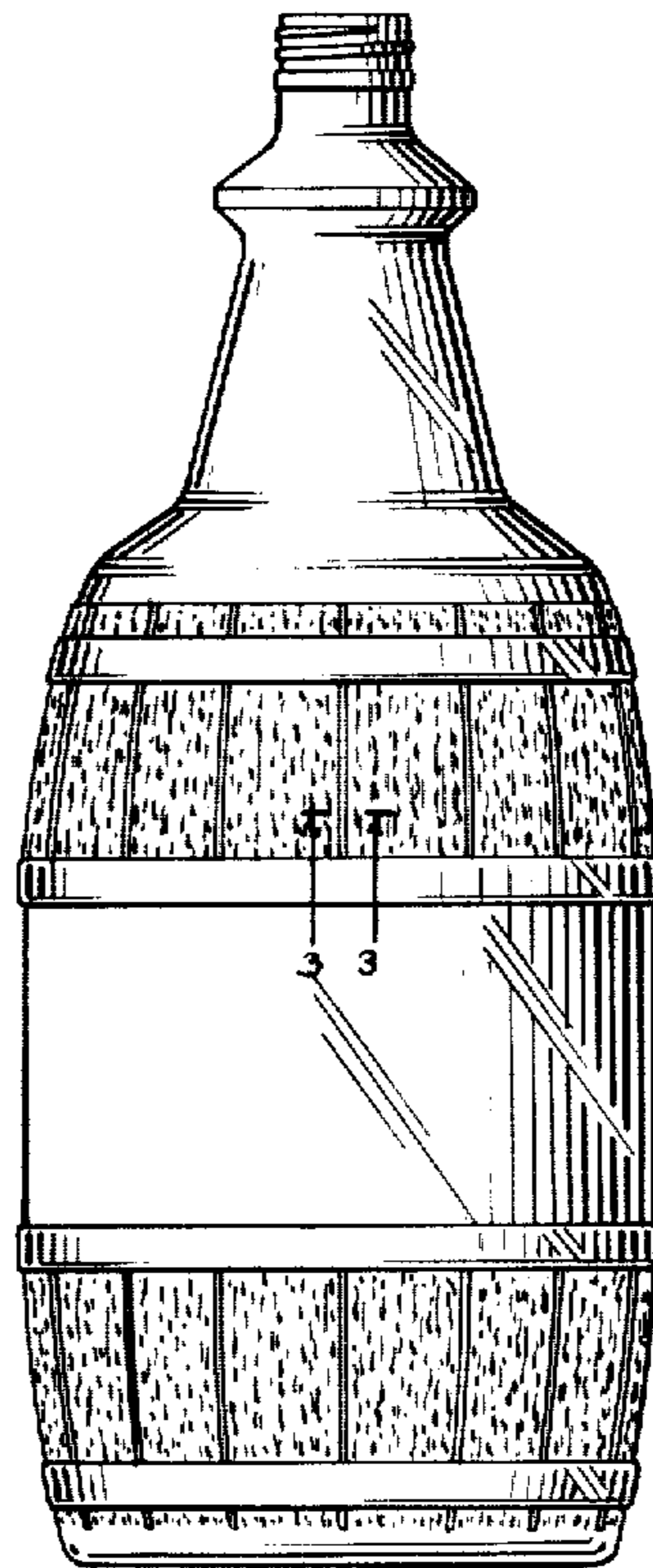


Fig. 1.

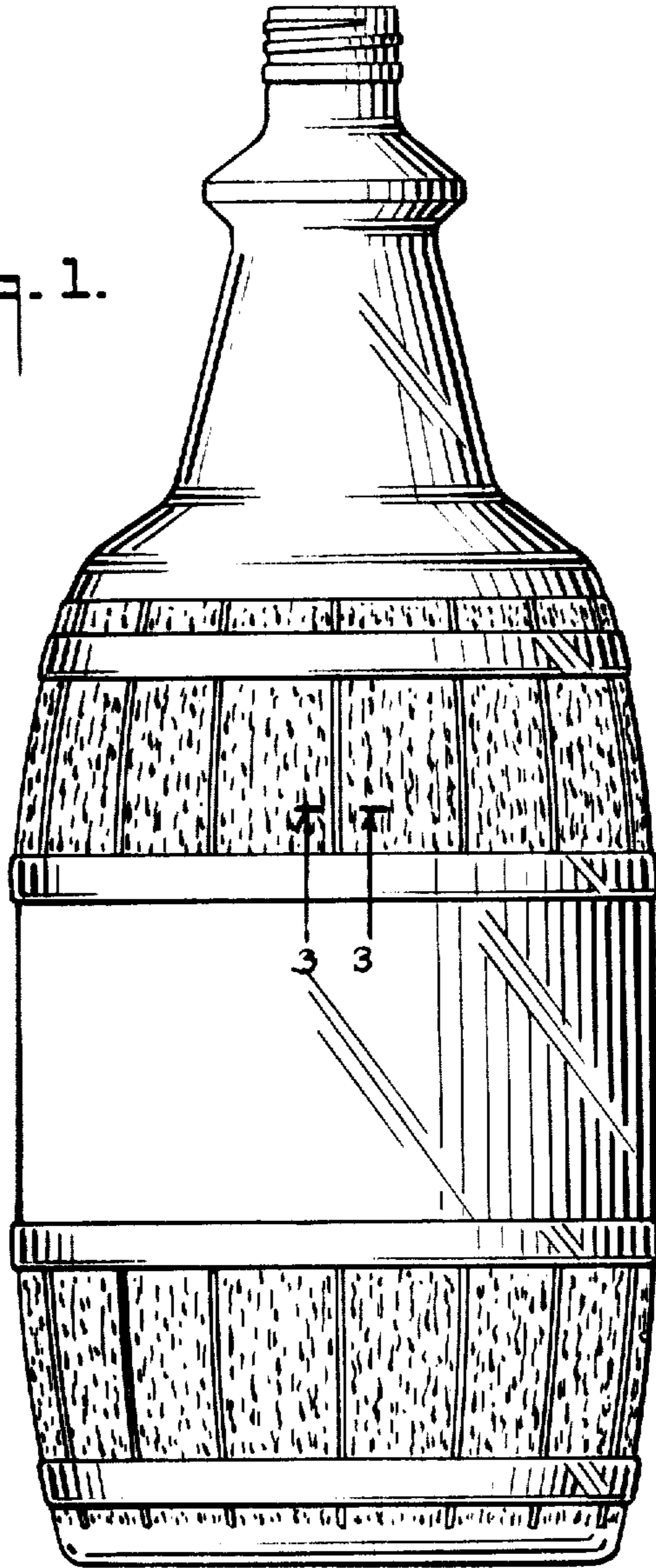


Fig. 2.

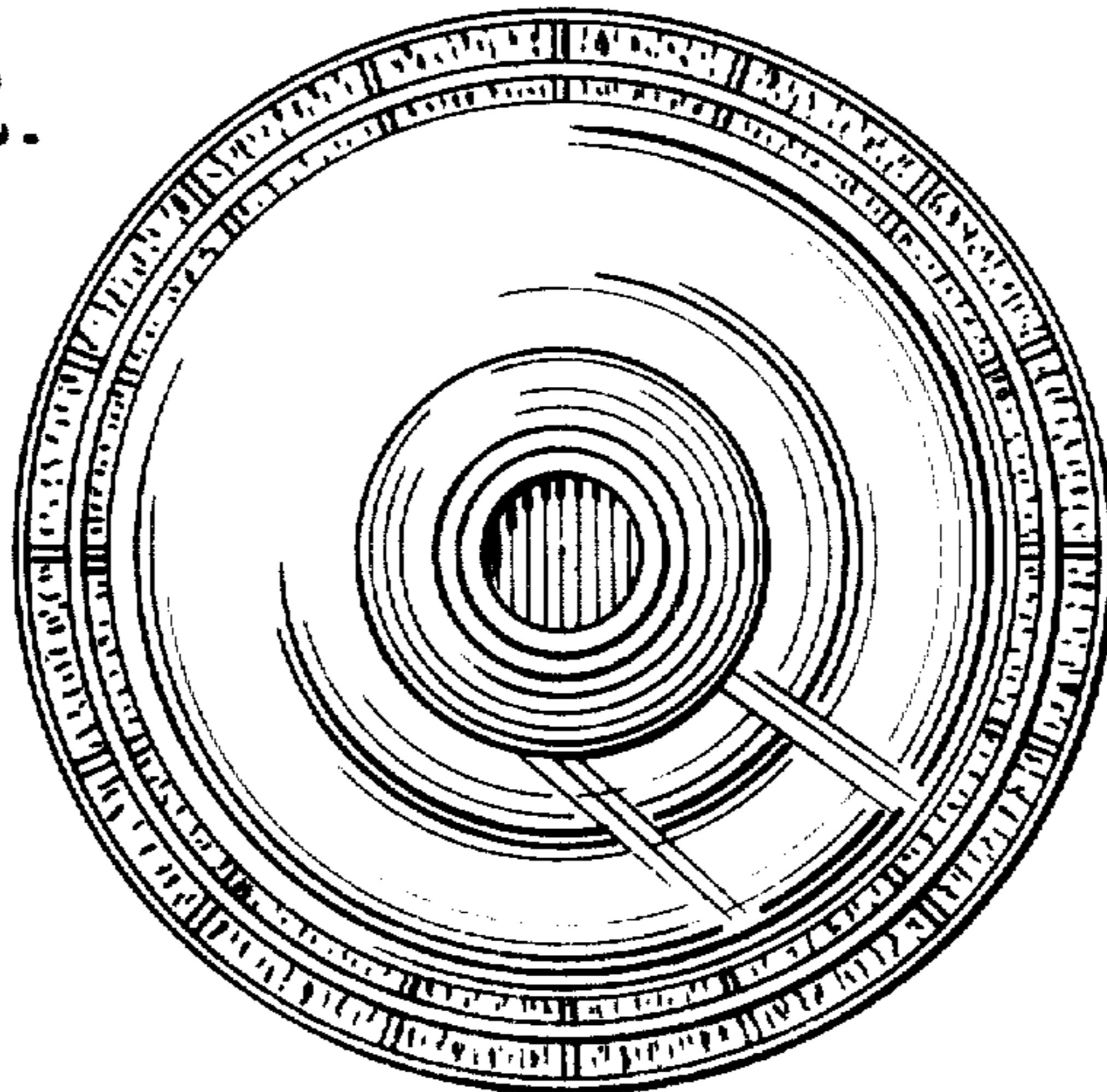


Fig. 3.

