

[54] **NESTABLE LATCH OPERATING HANDLE AND HOUSING UNIT**

[75] Inventor: **Lee S. Weinerman, Medina, Ohio**

[73] Assignee: **The Eastern Company, Cleveland, Ohio**

[**] Term: **14 Years**

[21] Appl. No.: **245,152**

[22] Filed: **Mar. 18, 1981**

[51] Int. Cl. **D8-07**

[52] U.S. Cl. **D8/338; 70/208**

[58] Field of Search **D8/338, 336; 16/112, 16/123, 126, DIG. 12, DIG. 25, 26; 74/547, 551.3; 70/489, 208, 153, 483, 471; 292/126, 165; D32/69-72; D3/72**

[56] **References Cited**

U.S. PATENT DOCUMENTS

D. 153,658	5/1949	Arbib	D3/72
D. 153,660	5/1949	Arbib	D3/72
D. 184,014	12/1958	Kaiser	D8/338
D. 248,508	7/1978	Malcolm	D3/72
D. 253,978	1/1980	Osit	D3/72
2,201,963	5/1940	Wartian	70/208
2,348,065	5/1944	George	70/208
2,536,295	1/1951	Leonard, Sr.	70/208
2,622,430	12/1952	Adams et al.	70/208
2,987,908	6/1961	Pelcin	70/483
3,055,204	9/1962	Pelcin	70/153
3,209,564	10/1965	Pelcin	70/471
3,338,610	8/1967	Pelcin et al.	292/126
3,357,734	12/1967	Pastva, Jr.	292/165
3,668,907	6/1972	Pastua, Jr.	70/153

FOREIGN PATENT DOCUMENTS

576224 3/1946 United Kingdom 70/208

OTHER PUBLICATIONS

Eberhard brochure showing 8002A-50 Nestable T-Handle and Latch Housing, ©1978 Eberhard Mfg. Co., Cleveland, Ohio 44136, Section 4, p. 6.

Eberhard brochure showing 5630A Nestable T-Handle and Latch Housing, ©1978 Eberhard Mfg. Co., Cleveland, Ohio 44136, Section 4, p. 5.

Eberhard drawing No. 16-5630B showing 5630B Nestable T-Handle and Latch Housing, Eberhard Mfg. Co., drawing dated 5/12/78.

Primary Examiner—Wallace R. Burke

Assistant Examiner—H. B. Fay, Jr.

Attorney, Agent, or Firm—David A. Burge

[57] **CLAIM**

The ornamental design for a nestable latch operating handle and housing unit, as shown and described.

DESCRIPTION

FIG. 1 is a perspective view of a nestable latch operating handle and housing unit embodying the design of the present invention, with the handle being shown in an extended position relative to the housing;

FIG. 2 is a top plan view thereof;

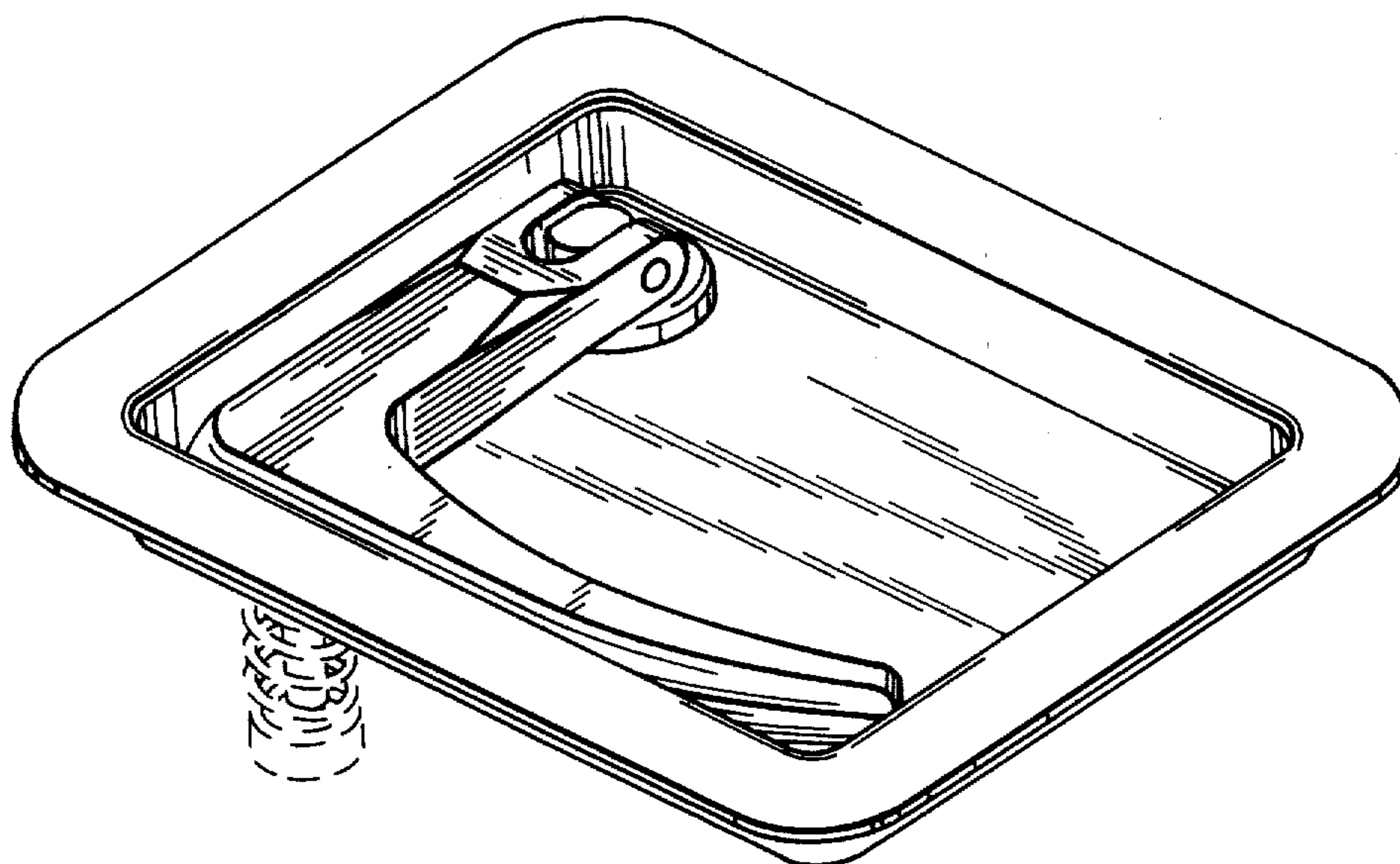
FIG. 3 is a side elevational view thereof;

FIG. 4 and 5 are end elevational views thereof;

FIG. 6 is a bottom plan view thereof;

FIG. 7 is a perspective view thereof with the handle nested relative to the housing; and

FIG. 8 is a top plan view thereof with the handle nested. Those portions of the drawings in FIGS. 1, 3, 4, 5, 6 and 7 that are shown in broken lines are illustrated for environmental association purposes only, and are not a part of the claimed design.



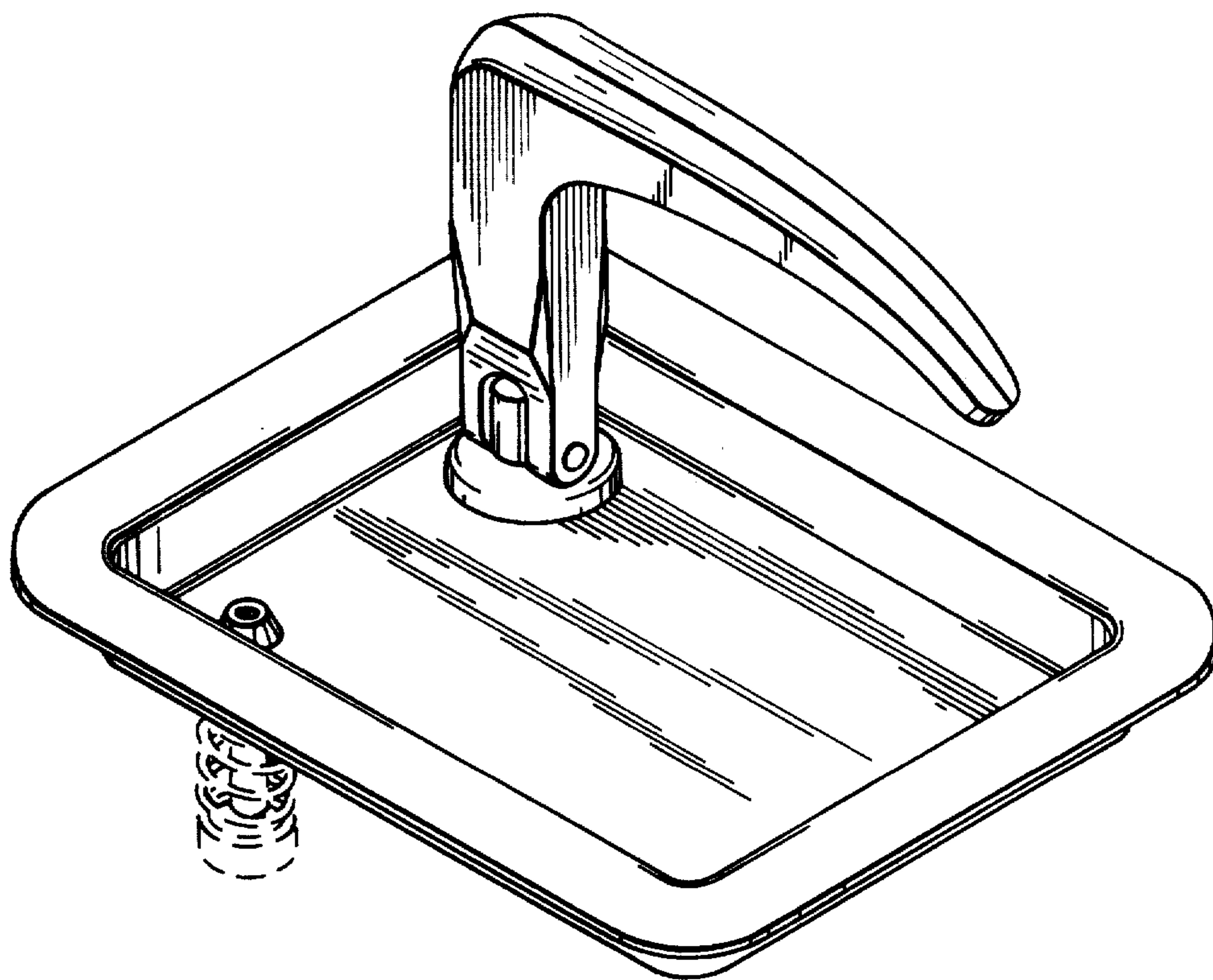


FIG. 1

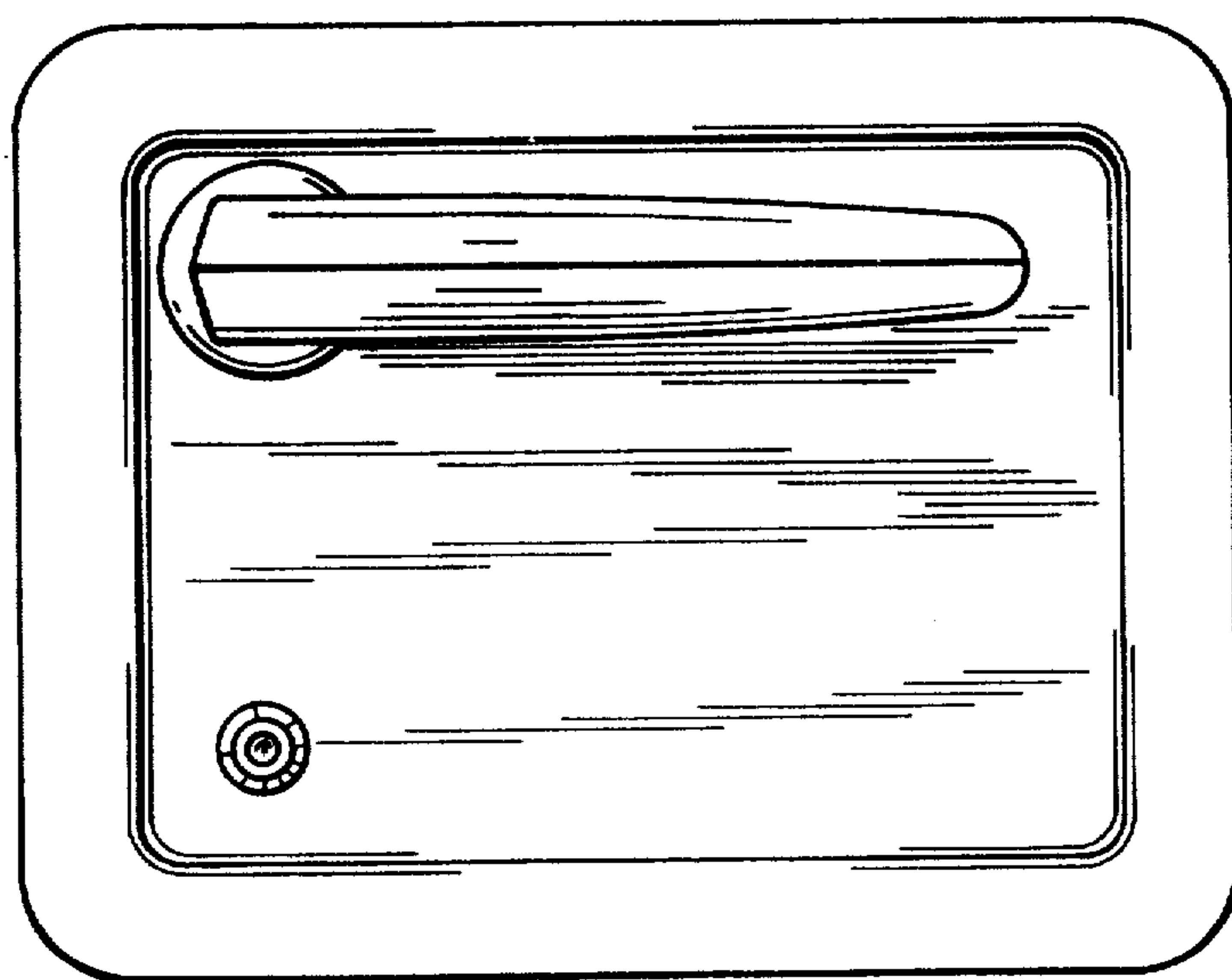


FIG. 2

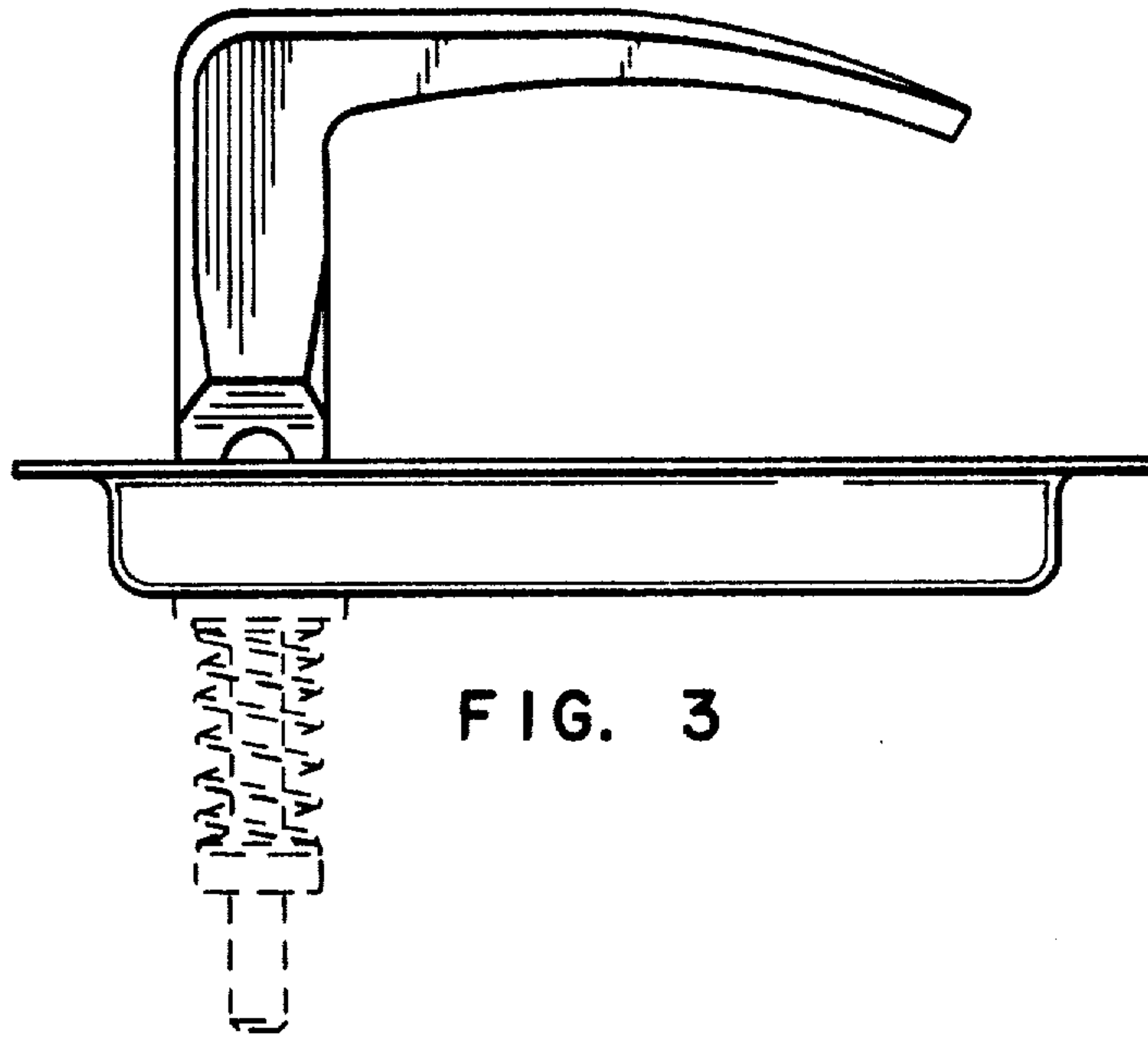


FIG. 3

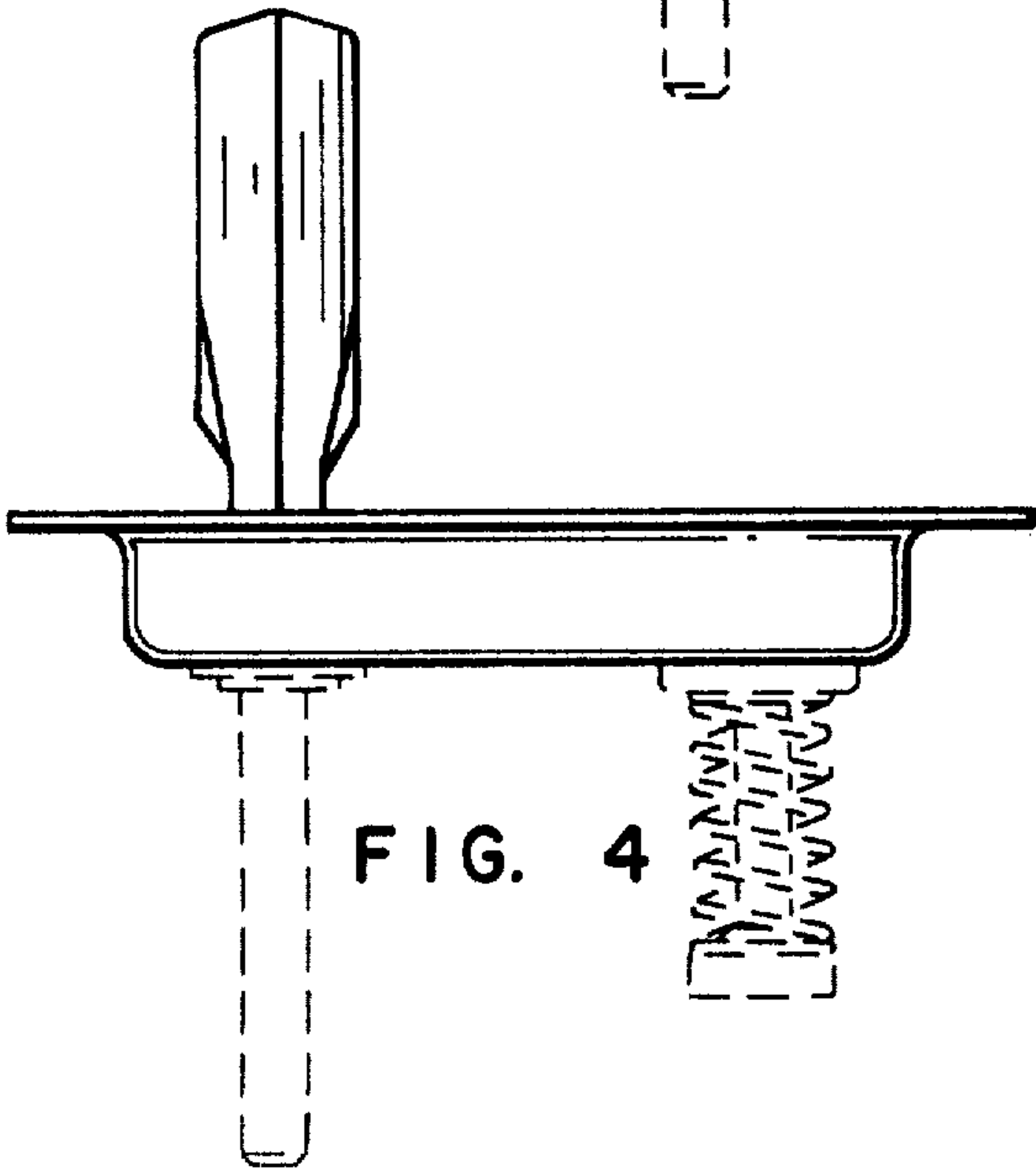


FIG. 4

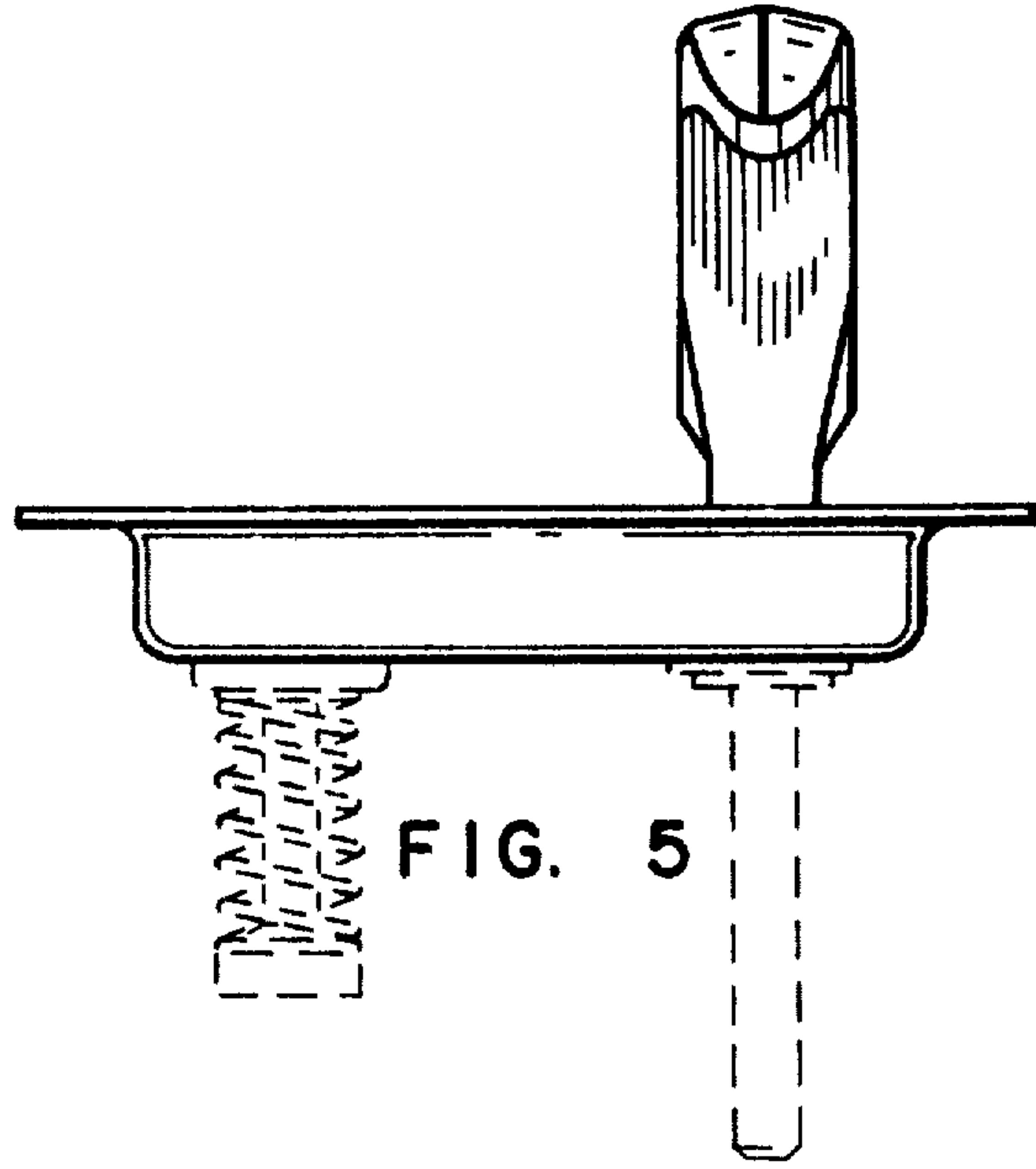


FIG. 5

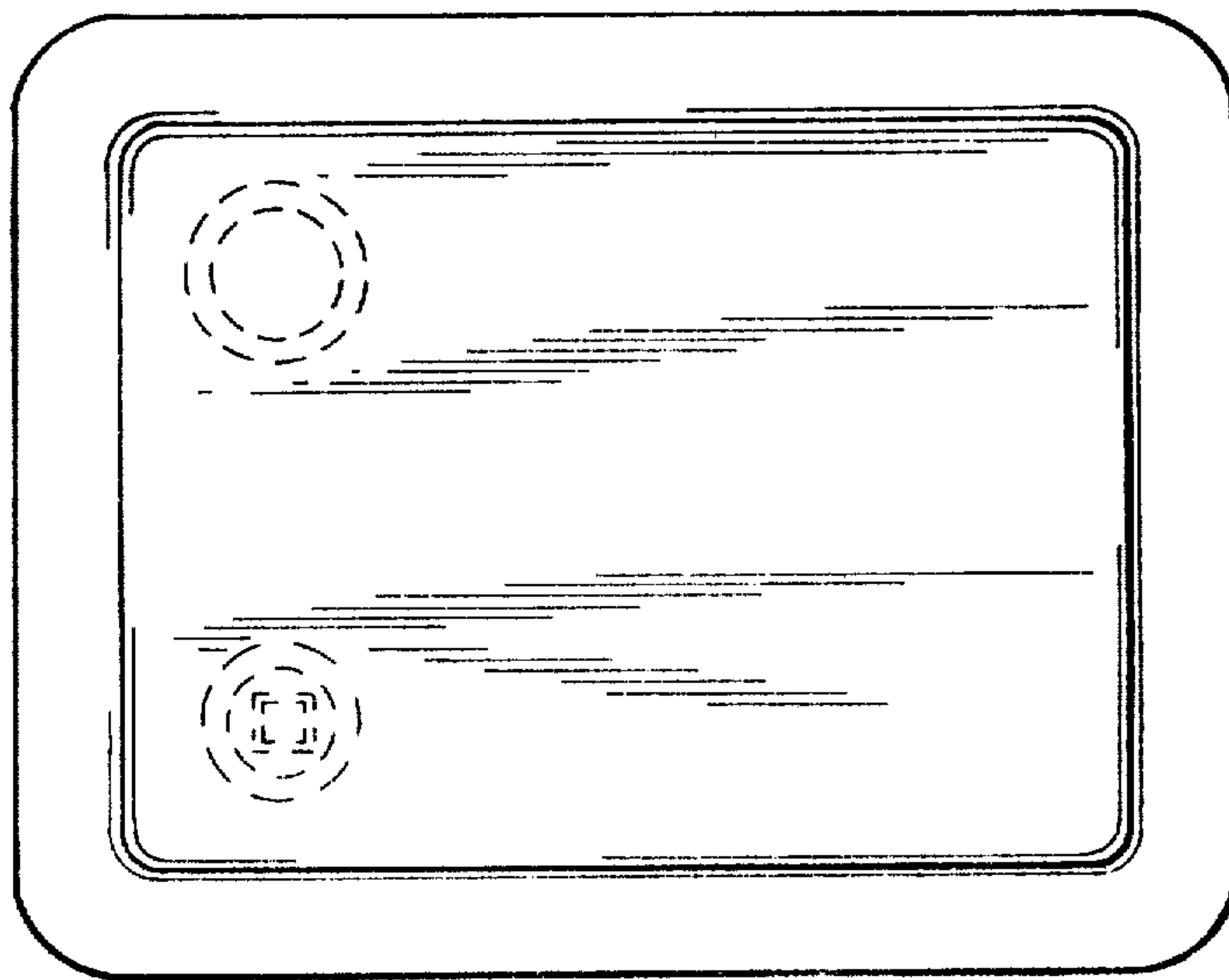


FIG. 6

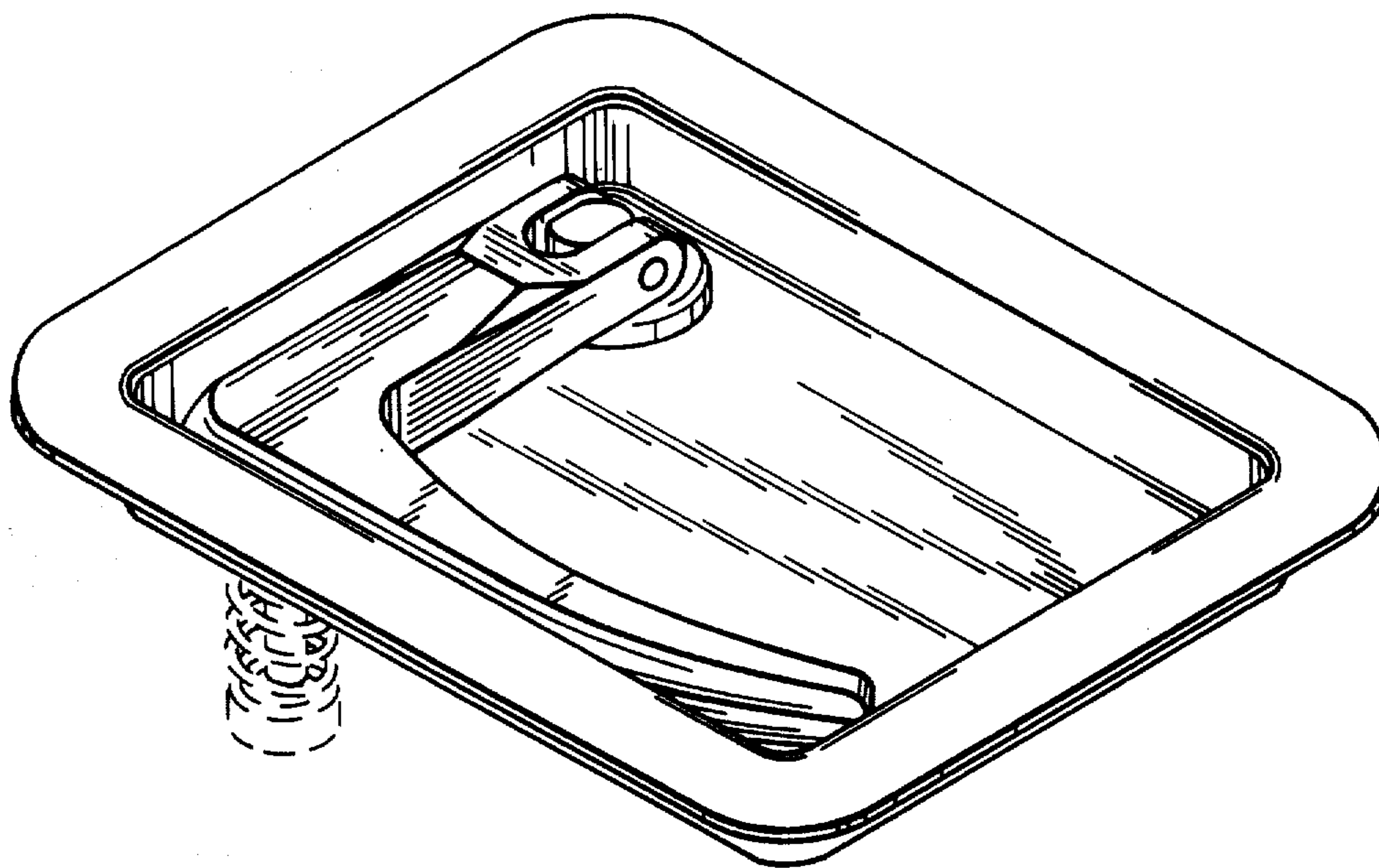


FIG. 7

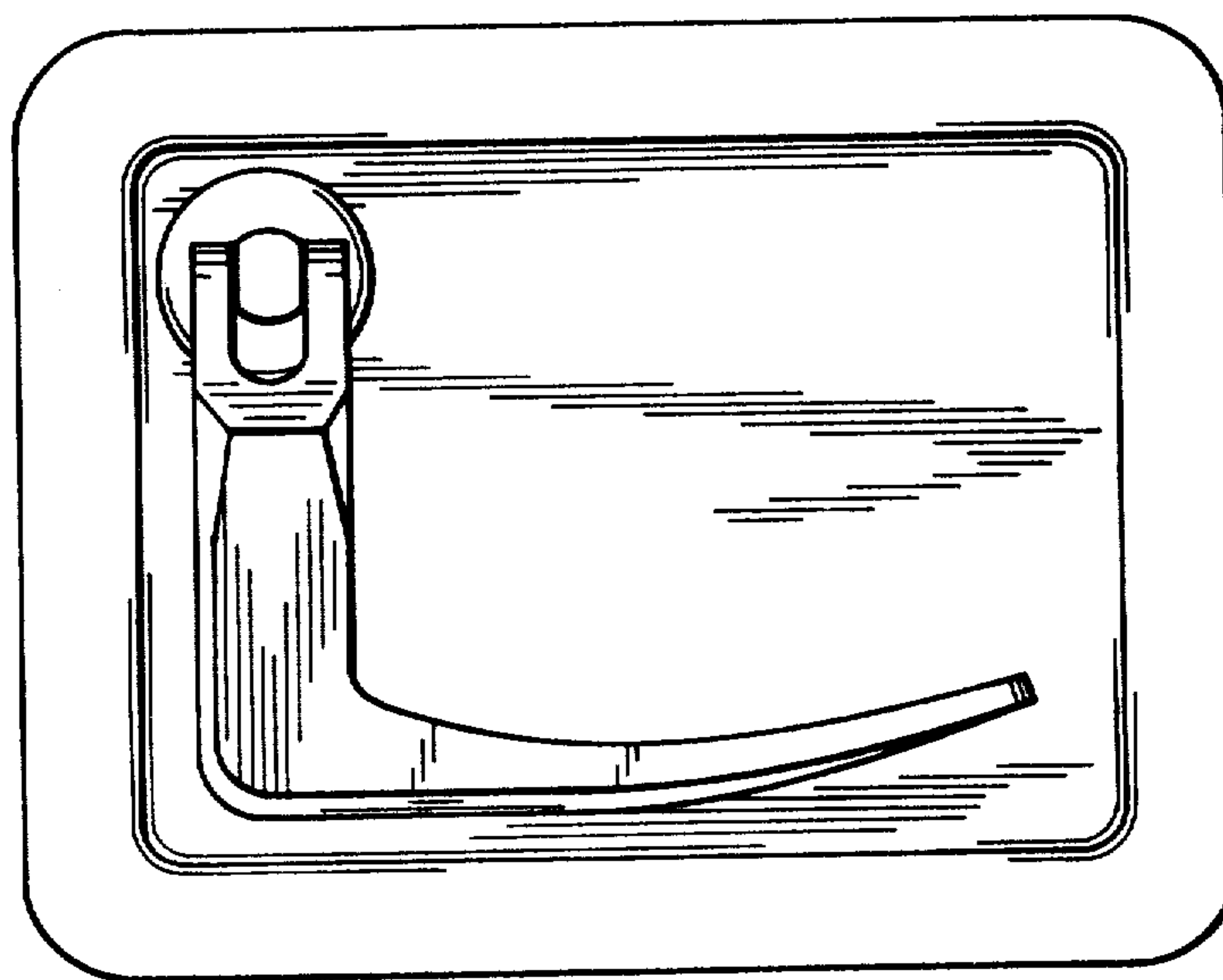


FIG. 8