

[54] ACTUATOR HANDLE FOR A BEVERAGE DISPENSING VALVE

[75] Inventors: Terrance C. Belland, Maple Grove; William B. Mackrell, New Brighton, both of Minn.

[73] Assignee: The Cornelius Company, Anoka, Minn.

[\*\*] Term: 14 Years

[21] Appl. No.: 345,979

[22] Filed: Feb. 5, 1982

[51] Int. Cl. .... D15-08

[52] U.S. Cl. .... D7/398; D7/395

[58] Field of Search ..... D7/398, 393, 395, 306, D7/308, 300, 307, 313, 397; D8/307, 308; 222/129.1-129.4; D23/28-32, 19, 23

[56] References Cited

U.S. PATENT DOCUMENTS

D. 111,580 10/1938 Fisher ..... D7/398

|            |         |                     |       |          |
|------------|---------|---------------------|-------|----------|
| D. 147,033 | 7/1947  | Austin              | ..... | D7/398   |
| D. 189,636 | 1/1961  | Cripe               | ..... | D7/398   |
| D. 194,527 | 2/1963  | Cornelius           | ..... | D7/308   |
| D. 204,059 | 3/1966  | Collins, Jr. et al. | ..... | D8/308   |
| D. 266,645 | 10/1982 | Pittenger           | ..... | D8/307   |
| 3,865,276  | 2/1975  | Thompson            | ..... | D7/306 X |

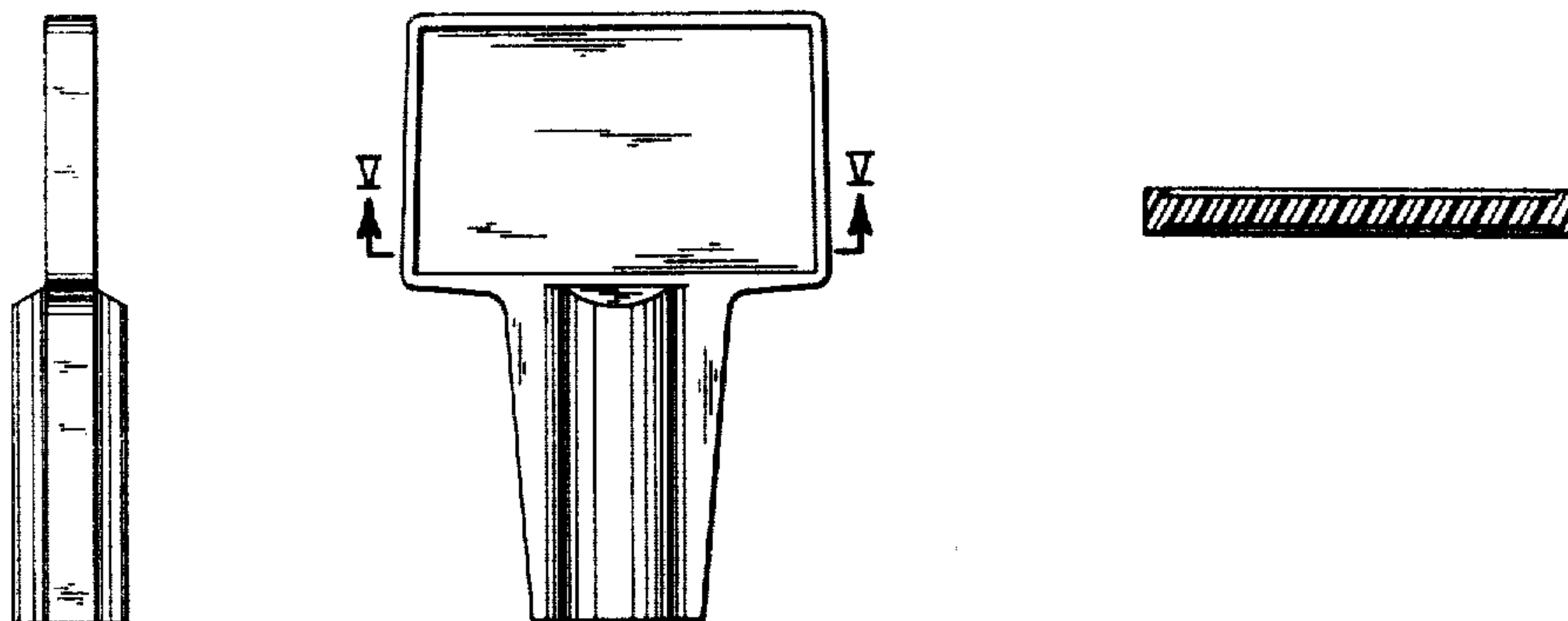
Primary Examiner—Winifred E. Herrmann  
Attorney, Agent, or Firm—Henry C. Kovar

[57] CLAIM

The ornamental design for an actuator handle for a beverage dispensing valve, substantially as shown and described.

DESCRIPTION

FIG. 1 is a front elevational view of an actuator handle for a beverage dispensing valve, showing our new design, the back elevational view being identical to the front elevational view;  
FIG. 2 is a side elevational view thereof, both sides being identical;  
FIG. 3 is a top plan view thereof;  
FIG. 4 is a bottom plan view thereof;  
FIG. 5 is a sectional view through V—V of FIG. 1.



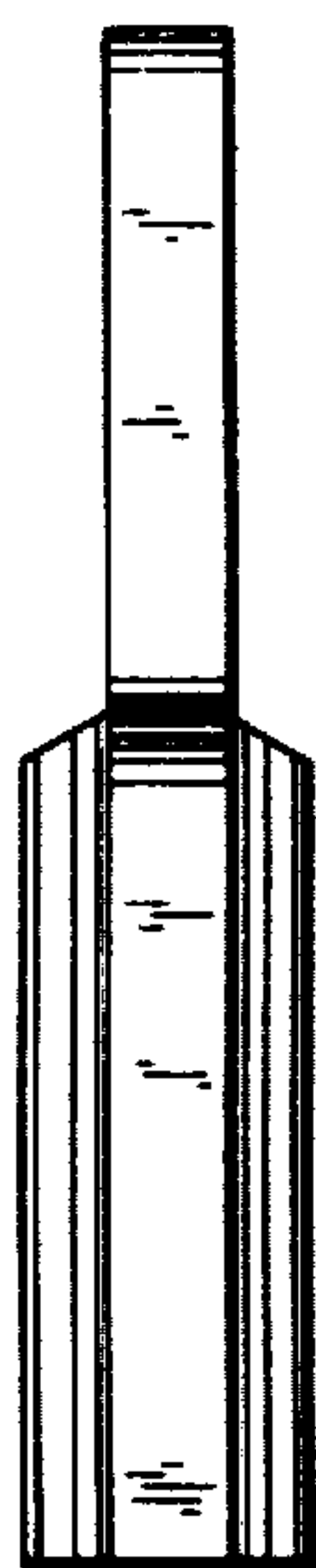


FIG. 2

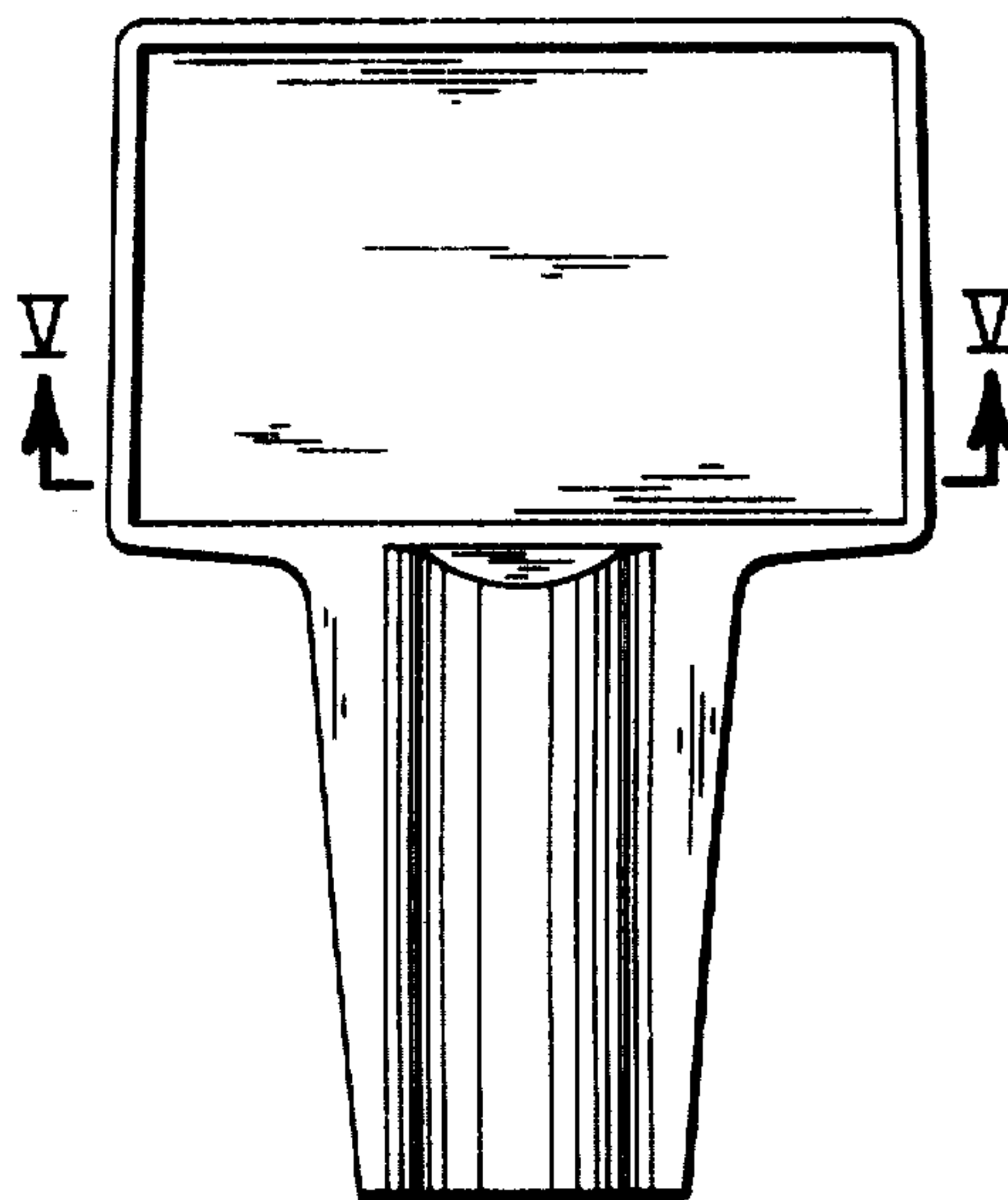


FIG. 1



FIG. 3



FIG. 4



FIG. 5