

[54] GRIDDLE

3,006,270 10/1961 Graham 99/425
3,995,844 12/1976 Hellman D7/46 X

[76] Inventor: Joseph W. Schwarzli, 430 Comstock Rd., Scarborough, Ontario, Canada

[**] Term: 14 Years

[21] Appl. No.: 226,053

[22] Filed: Jan. 19, 1981

[30] Foreign Application Priority Data

Nov. 12, 1980 [CA] Canada 12-11-80-6

[51] Int. Cl. D07-02

[52] U.S. Cl. D7/363; D7/409

[58] Field of Search D7/87, 88, 46, 85, 94,
D7/97, 130, 37, 123, 122, 409, 410, 353, 352,
363; 99/425

[56] References Cited

U.S. PATENT DOCUMENTS

- D. 84,033 4/1931 Halman D7/94
- D. 178,247 7/1956 Knapp D7/87 X
- D. 194,271 12/1962 Larson D7/87
- D. 204,197 3/1966 Little D7/87
- D. 239,689 4/1976 Doman et al. D7/46

OTHER PUBLICATIONS

Abercrombie & Fitch Camping 1960, Jun. 21, 1960, p. 18, bottom left "Deluxe Aluminum Griddle".
Colonial Garden Kitchens, p. 16, top left king size griddle, #2314.

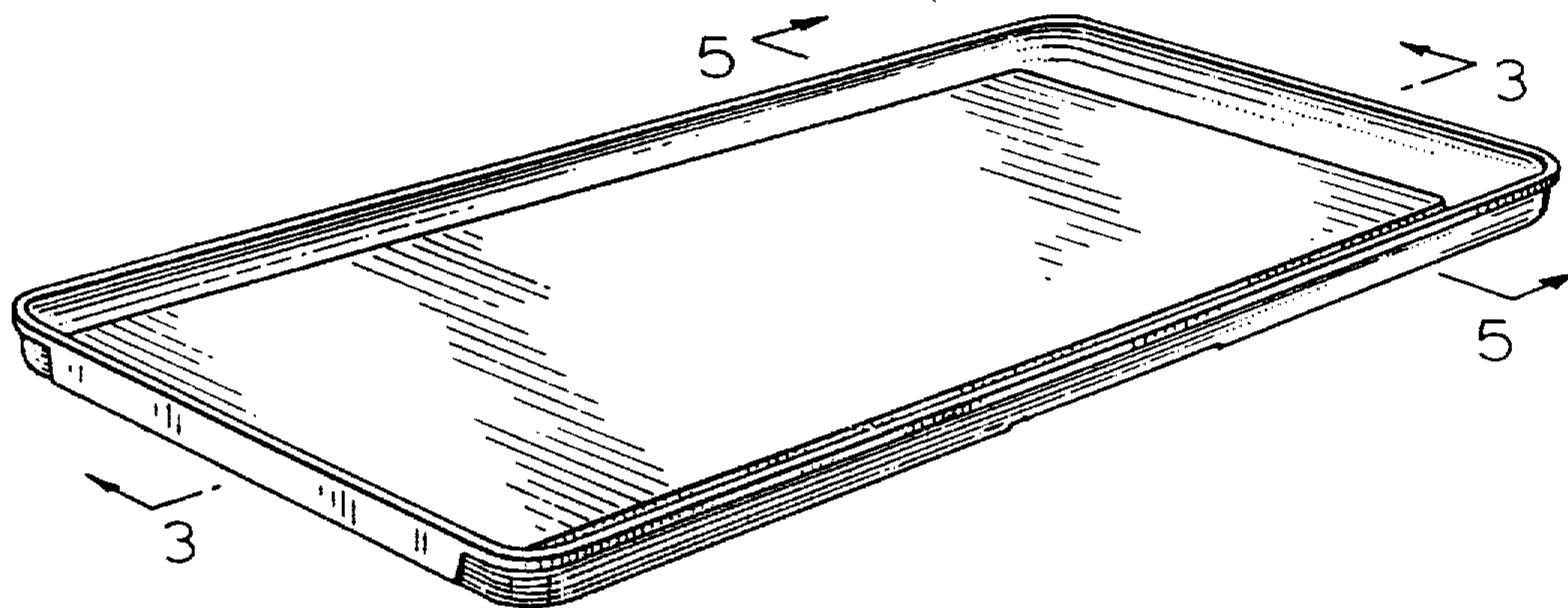
Primary Examiner—Winifred E. Herrmann
Attorney, Agent, or Firm—Ridout & Maybee

[57] CLAIM

The ornamental design for a griddle, as shown.

DESCRIPTION

FIG. 1 is a top, front perspective view of a griddle showing my new design from one side thereof; FIG. 2 is a bottom rear perspective view thereof from the opposite side; FIG. 3 is a cross-sectional view thereof on an enlarged scale taken along line 3-3 of FIG. 1; FIG. 4 is a top plan view thereof on an enlarged scale; and FIG. 5 is a cross-sectional view thereof on an enlarged scale taken along line 5-5 of FIG. 1.



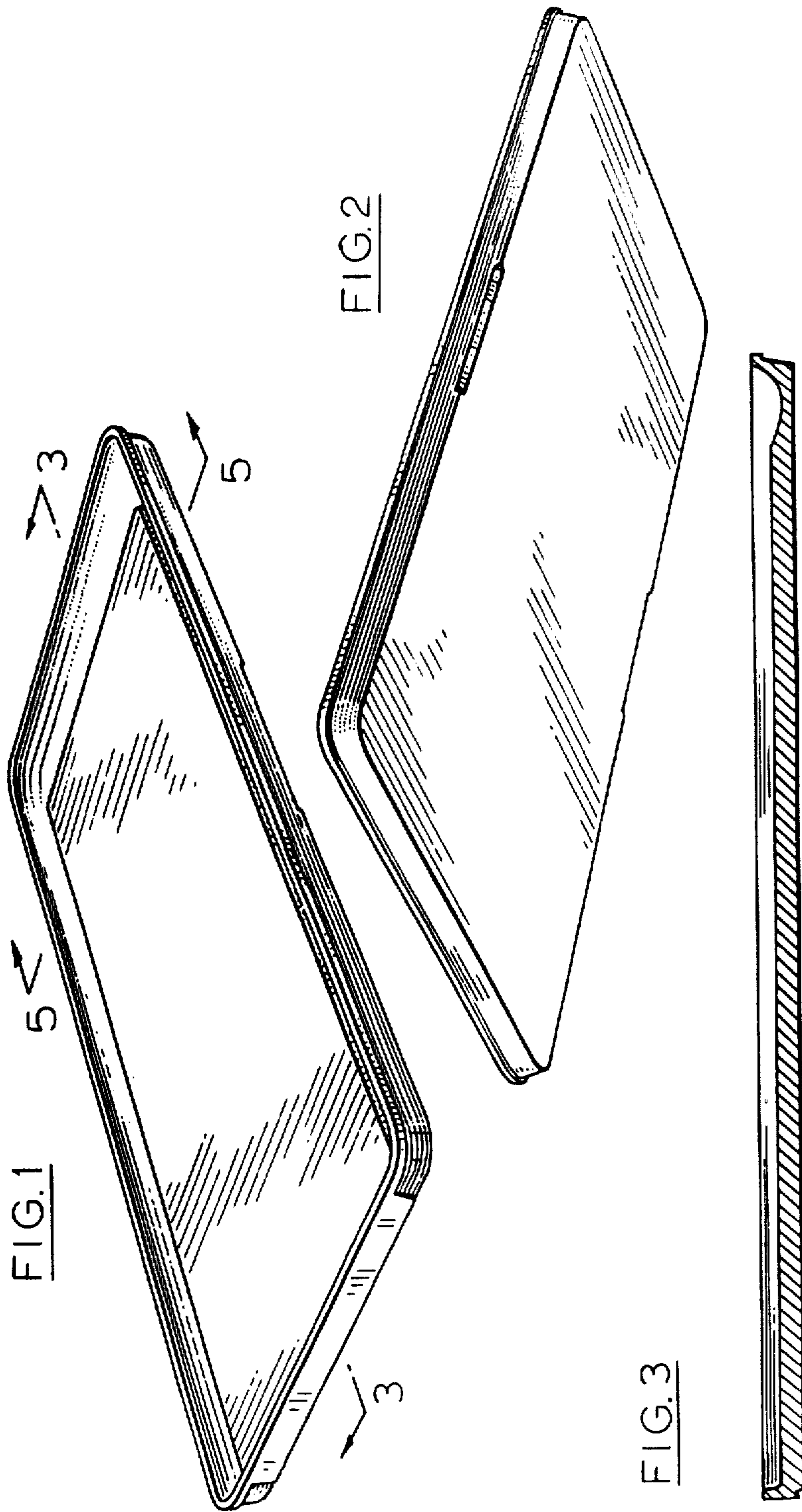


FIG. 1

FIG. 2

FIG. 3

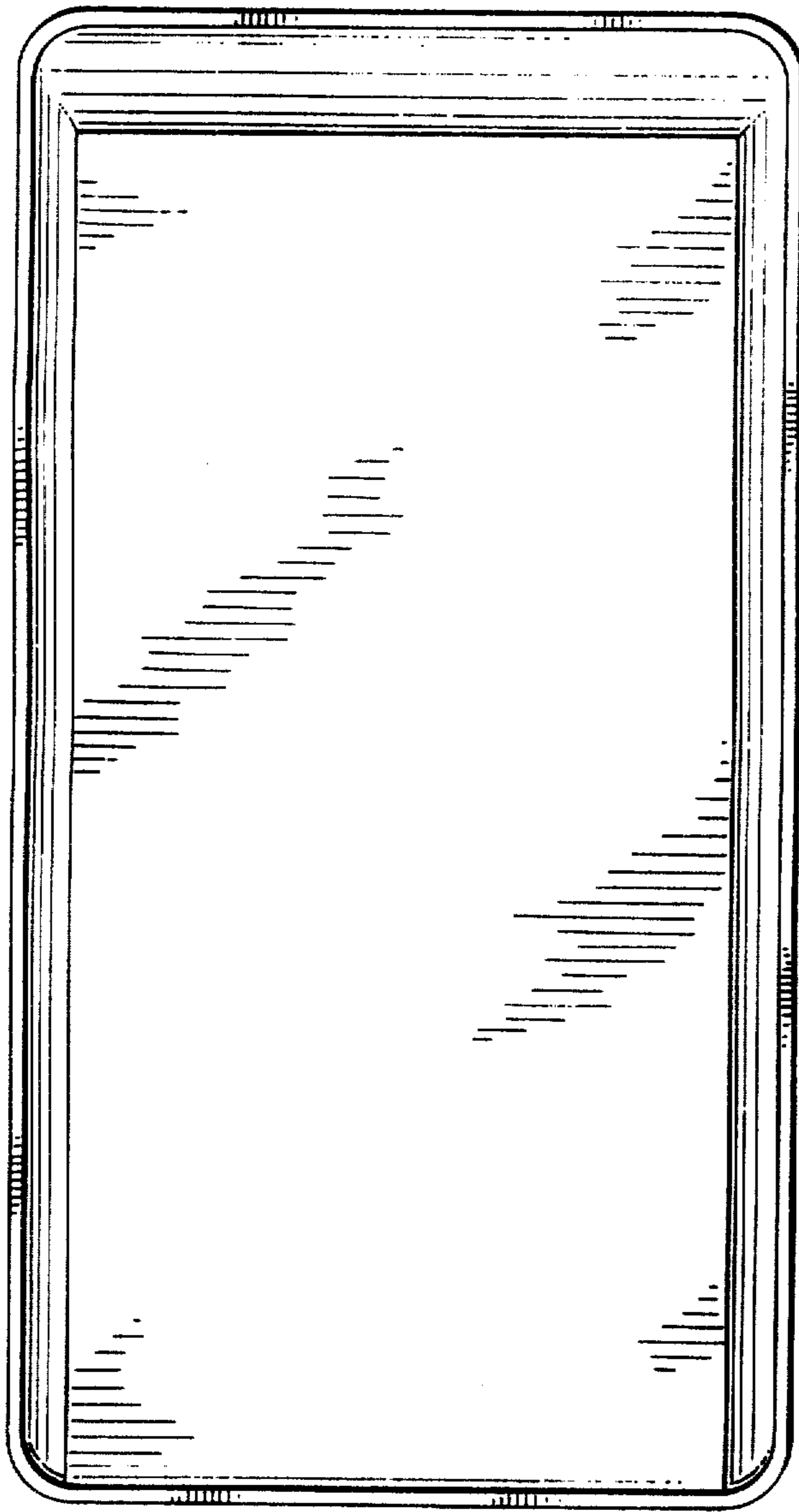


FIG. 4



FIG. 5