

[54] MICROWAVE COOKING UTENSIL

[75] Inventors: Robert F. Bowen, Burlington, Mass.;
Walter B. Herbst, Evanston, Ill.;
Thomas J. Martel, North Reading,
Mass.

[73] Assignee: Raytheon Company, Lexington,
Mass.

[**] Term: 14 Years

[21] Appl. No.: 270,177

[22] Filed: Jun. 3, 1981

[51] Int. Cl. D07-02

[52] U.S. Cl. D7/352; D7/359

[58] Field of Search D7/352, 353, 359, 354,
D7/323; 219/10.55 E

[56] References Cited

U.S. PATENT DOCUMENTS

D. 99,668 5/1936 Anderson D7/352
D. 242,975 1/1977 Daher D7/352

D. 266,306 9/1982 Ansel D7/352
1,732,910 10/1929 Possons D7/359 X
2,044,615 6/1936 Kennedy D7/352 X
3,994,212 11/1976 Wong 219/10.55 E X
4,362,917 12/1982 Freedman et al. 219/10.55 E

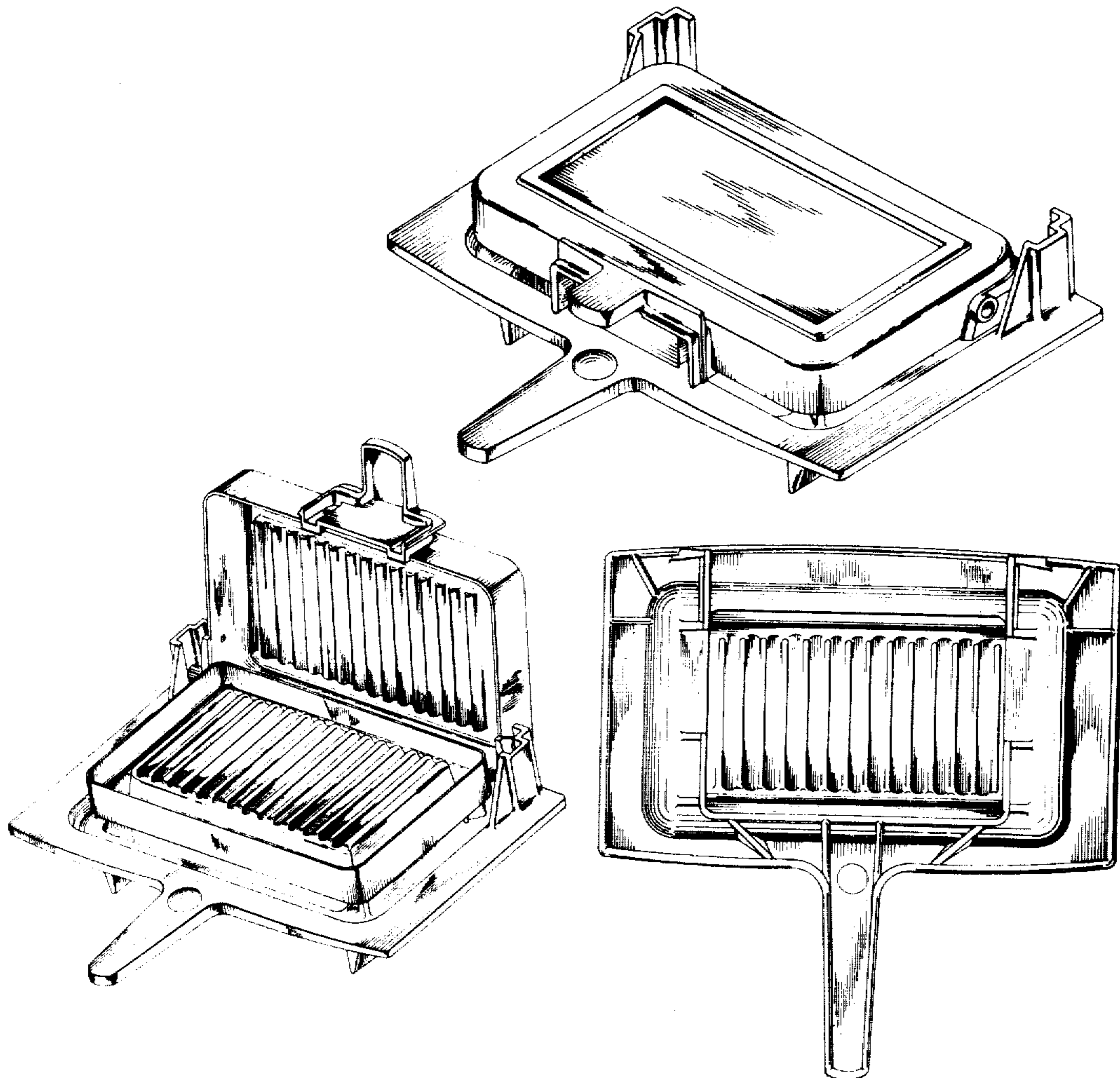
Primary Examiner—Winifred E. Herrmann
Attorney, Agent, or Firm—William R. Clark; Joseph D.
Pannone

[57] CLAIM

The ornamental design for a microwave cooking utensil, as shown and described.

DESCRIPTION

FIG. 1 is a top, front perspective view of a microwave cooking utensil showing our new design;
FIG. 2 is a top front perspective view thereof in an open condition;
FIG. 3 is a top plan view thereof;
FIG. 4 is a front elevational view thereof;
FIG. 5 is a bottom plan view thereof;
FIG. 6 is a rear elevational view thereof; and
FIG. 7 is a right side elevational view thereof, the left side being a mirror image thereof.



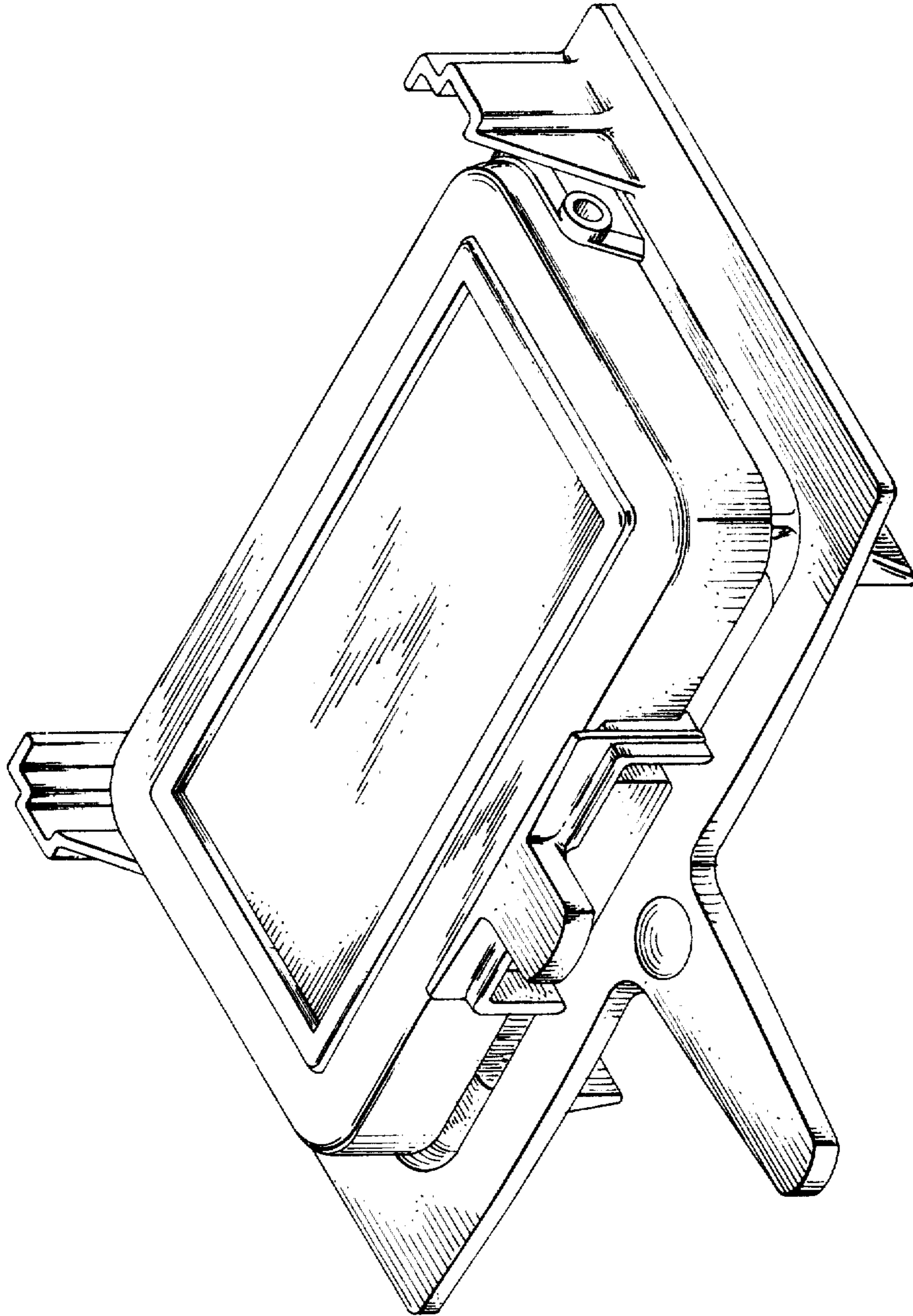


FIG. 1

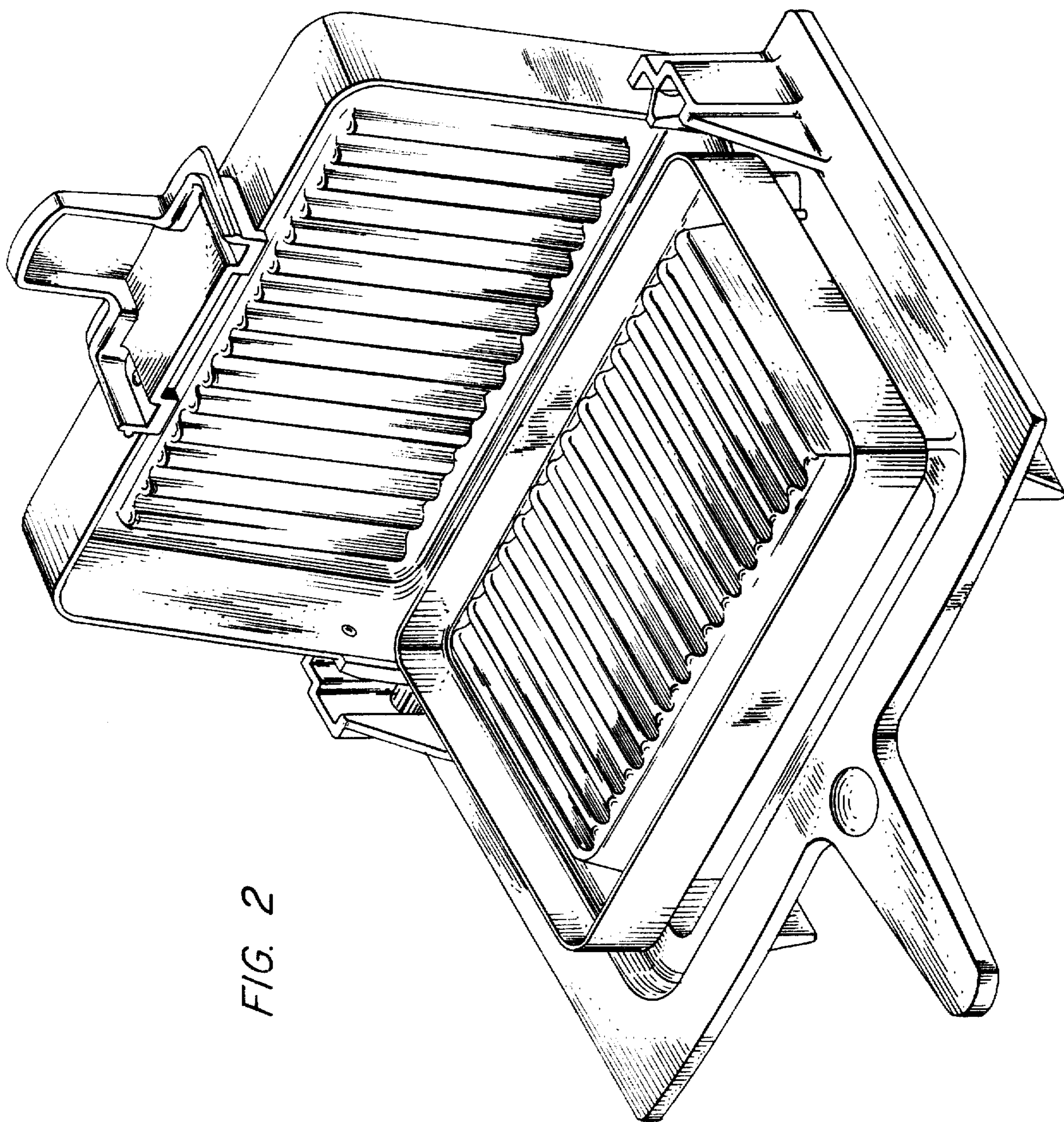


FIG. 2

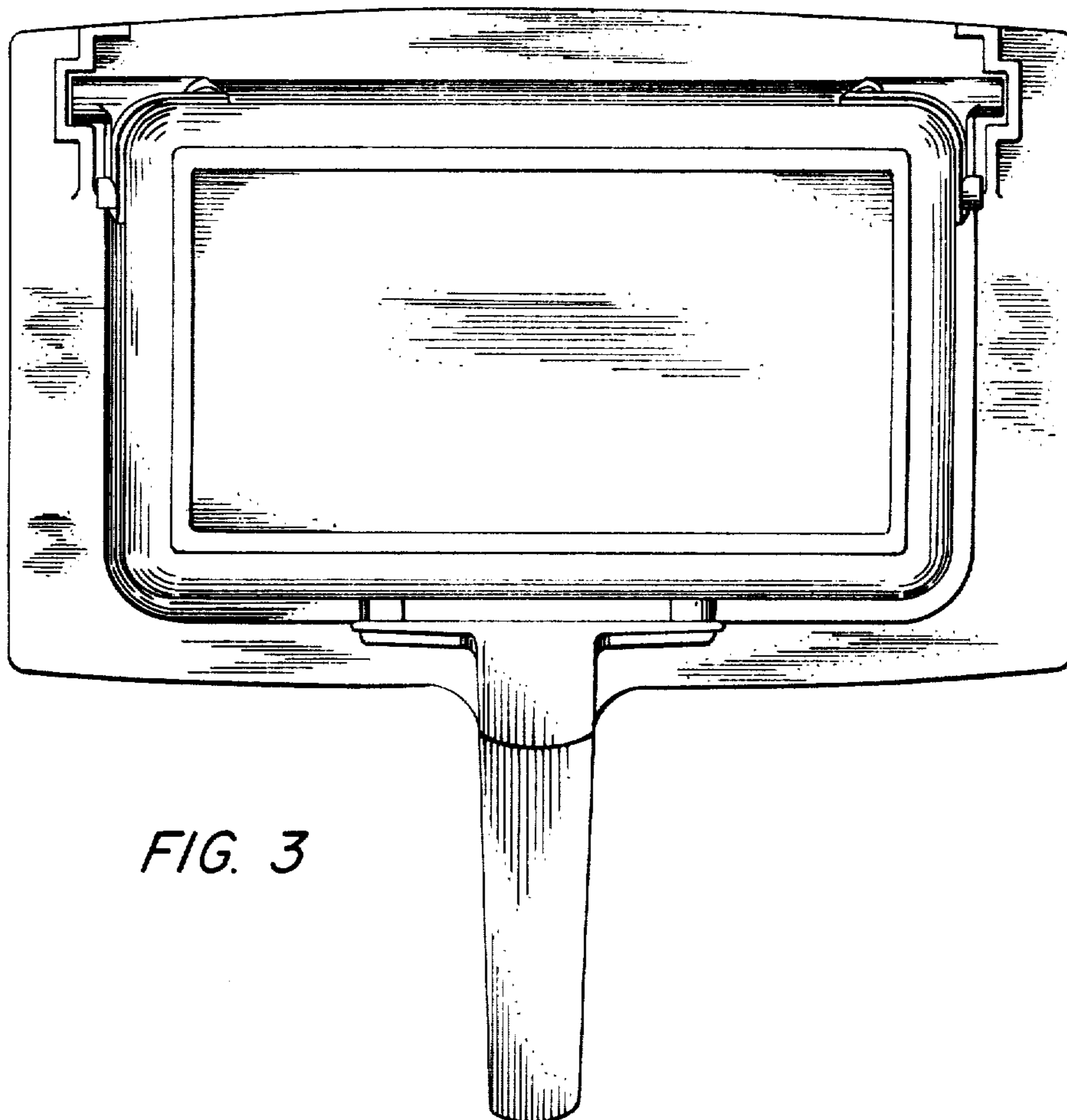


FIG. 3

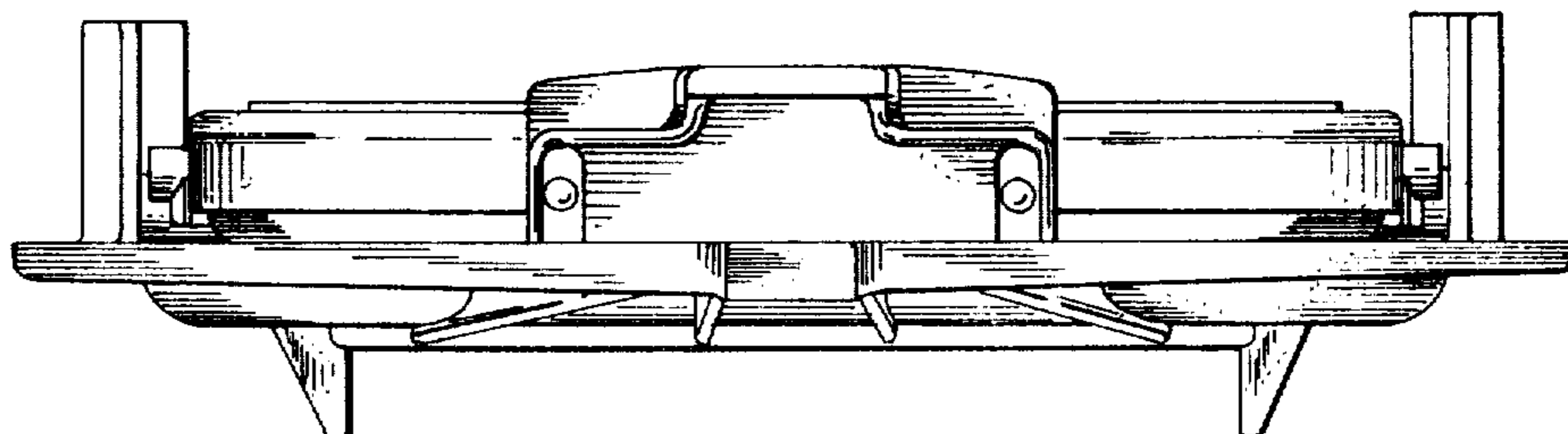


FIG. 4

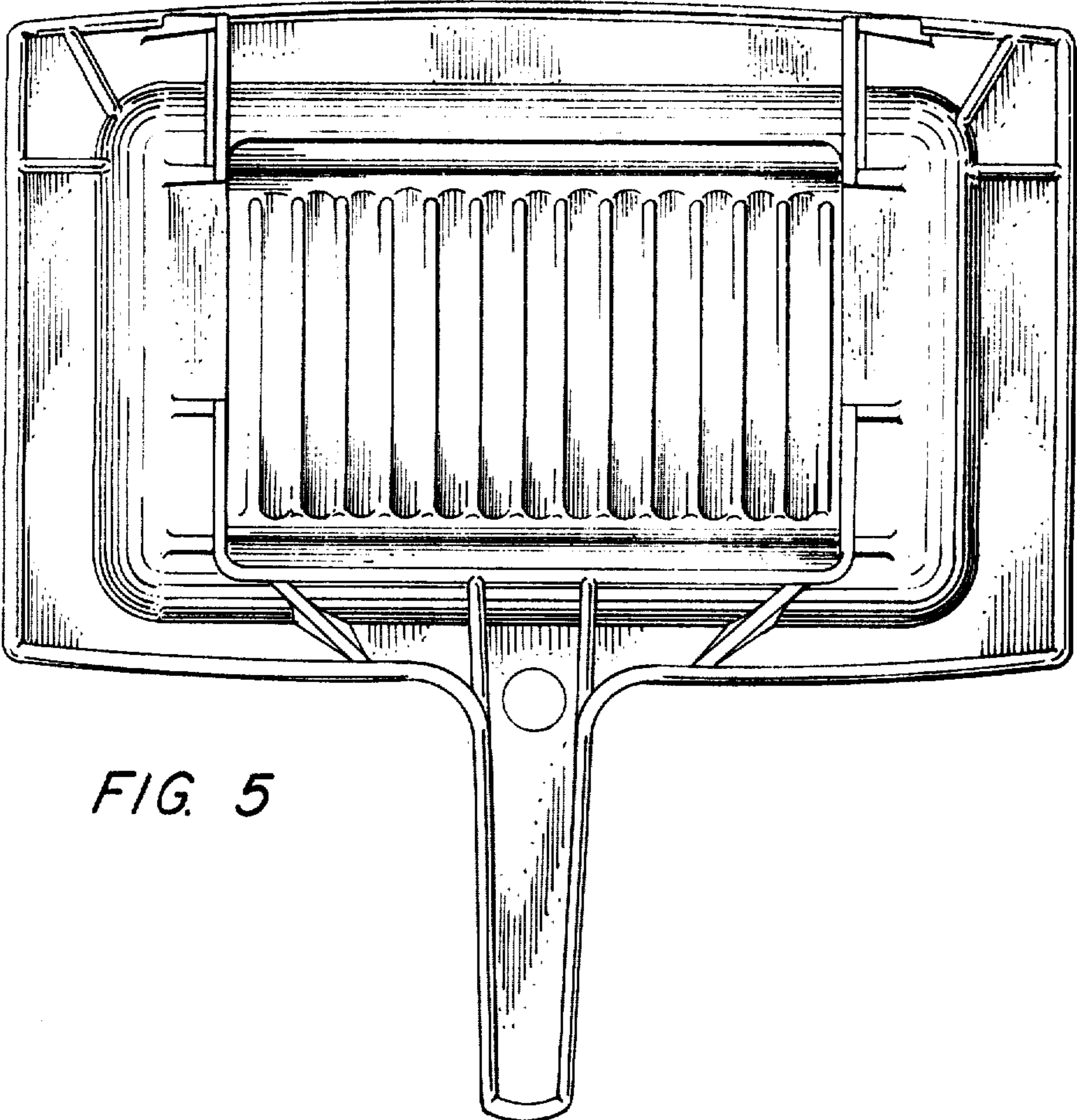


FIG. 5

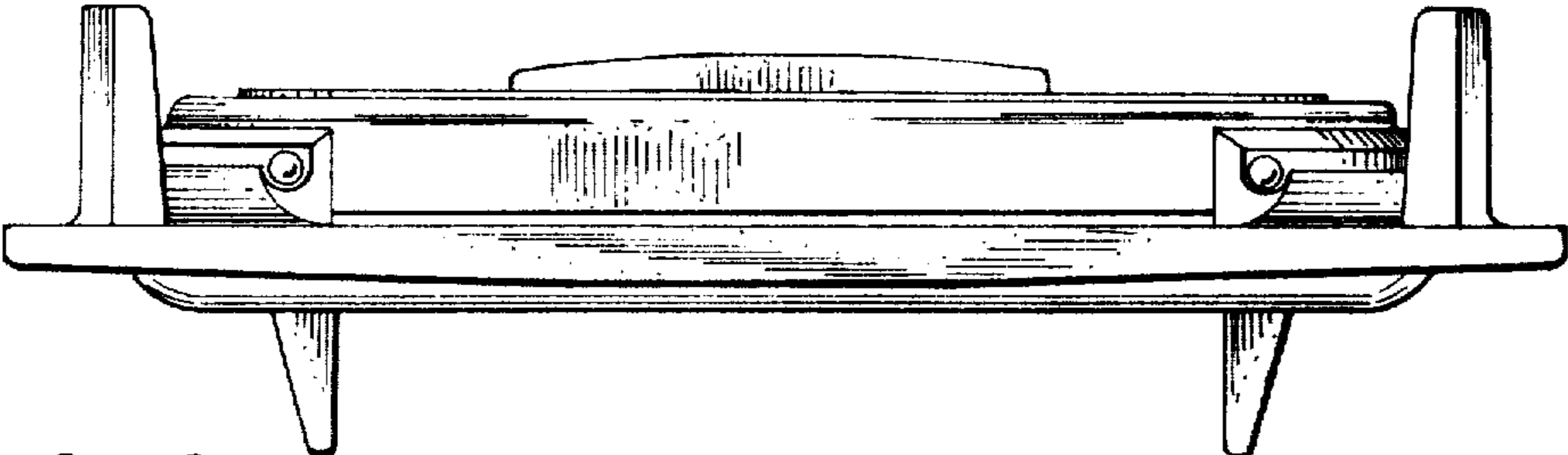


FIG. 6

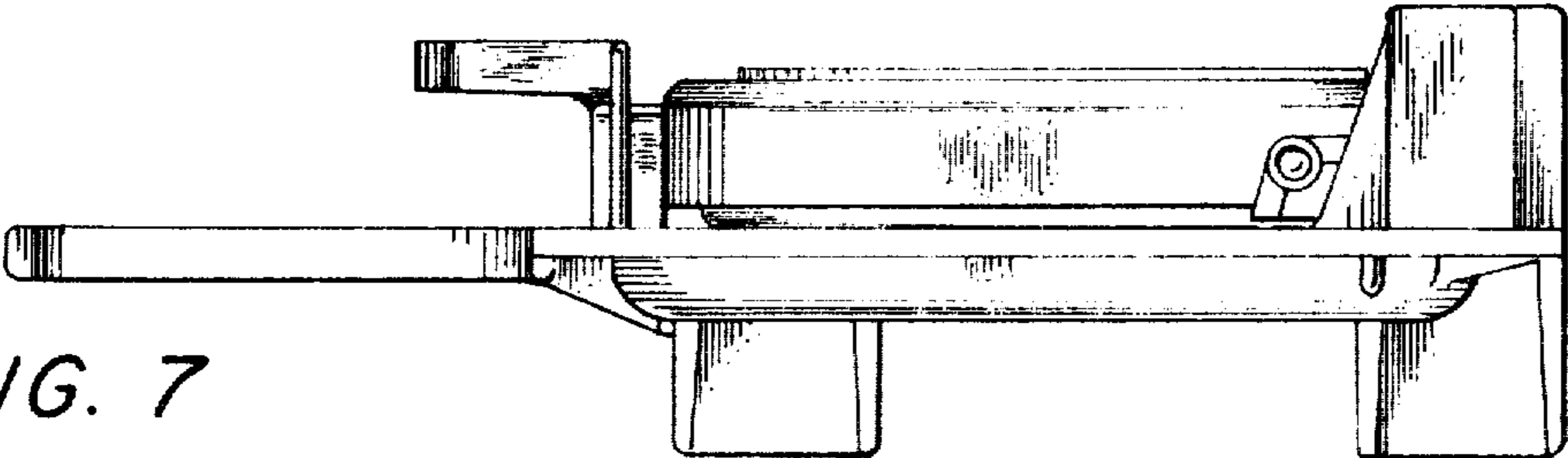


FIG. 7