

[54] **CONTAINER CLOSURE OR THE LIKE**

[75] Inventor: **Gerald M. Grusin, Chicago, Ill.**

[73] Assignee: **Dart Industries Inc., Northbrook, Ill.**

[**] Term: **14 Years**

[21] Appl. No.: **294,718**

[22] Filed: **Aug. 20, 1981**

[51] **Int. Cl.** **D07—01**

[52] **U.S. Cl.** **D7/40; D9/435**

[58] **Field of Search** **D7/40, 391, 76, 77,
D7/79, 78, 16, 18; D9/424, 425, 426, 430, 431,
432, 443, 435**

[56] **References Cited**

U.S. PATENT DOCUMENTS

| | | | | |
|------------|---------|--------|-------|----------|
| D. 238,148 | 12/1975 | Dilot | | D7/76 |
| D. 239,818 | 5/1976 | Vatne | | D9/435 X |
| D. 251,657 | 4/1979 | Jewell | | D9/426 |
| D. 257,939 | 1/1981 | Conti | | D7/391 |

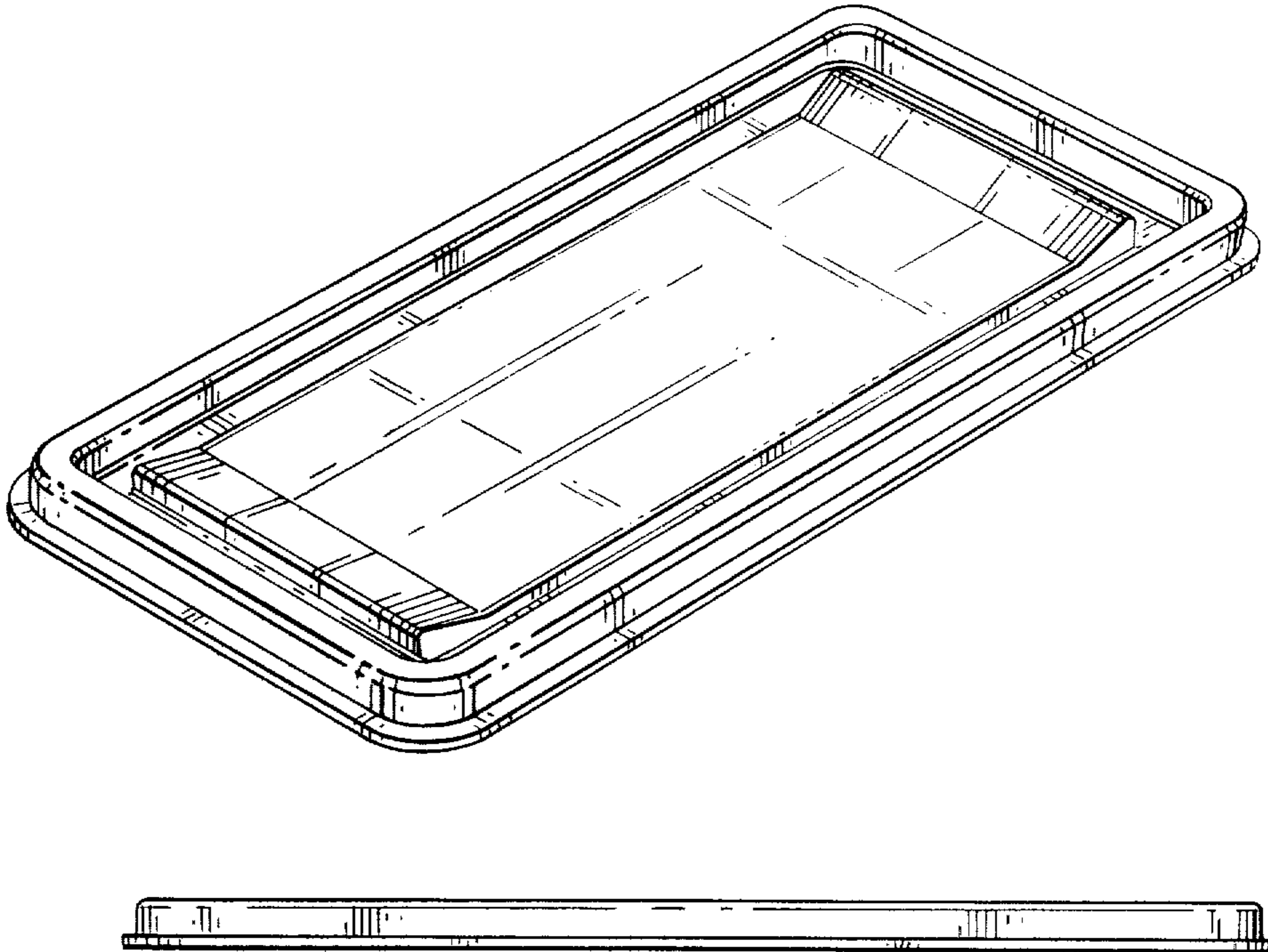
Primary Examiner—Winifred E. Herrmann

[57] **CLAIM**

The ornamental design for a container closure or the like, substantially as shown.

DESCRIPTION

FIG. 1 is a top perspective view of a container closure or the like showing my new design;
FIG. 2 is an end elevational view thereof;
FIG. 3 is a side elevational view thereof;
FIG. 4 is a top plan view thereof, and
FIG. 5 is a bottom plan view thereof.



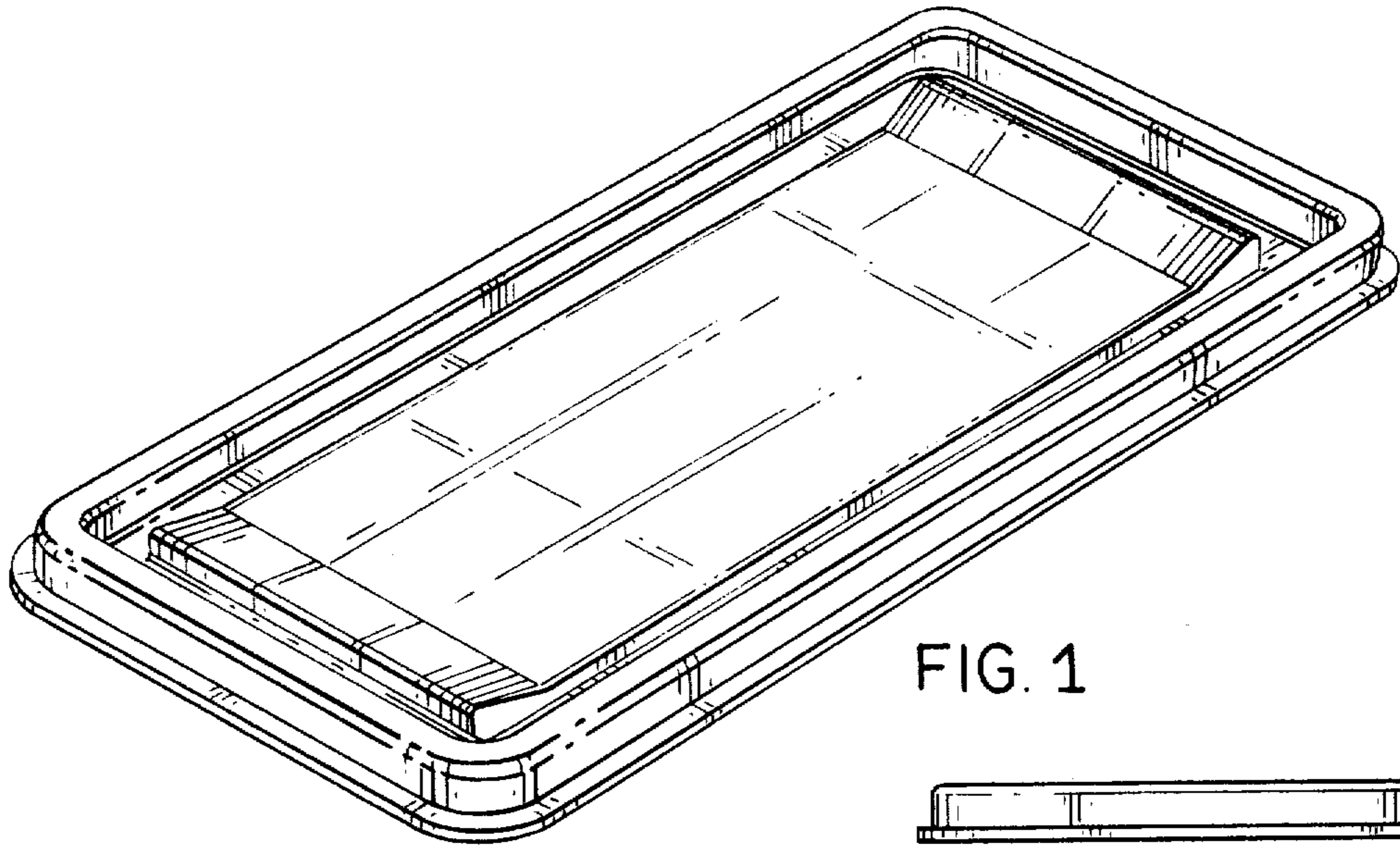


FIG. 1

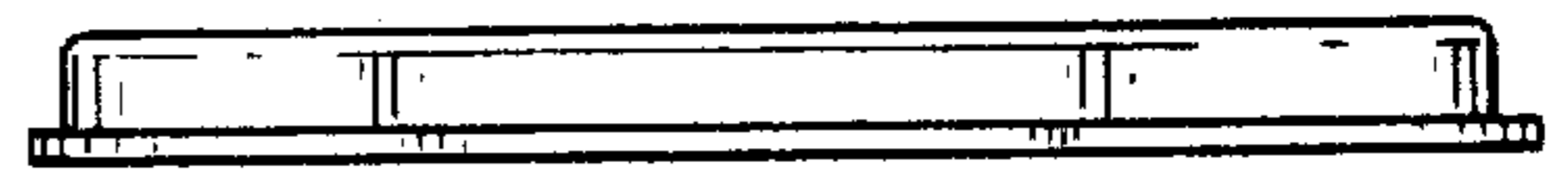


FIG. 2

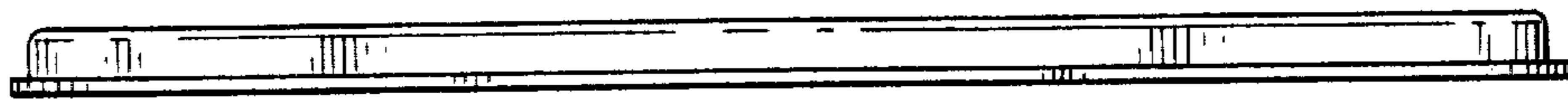


FIG. 3

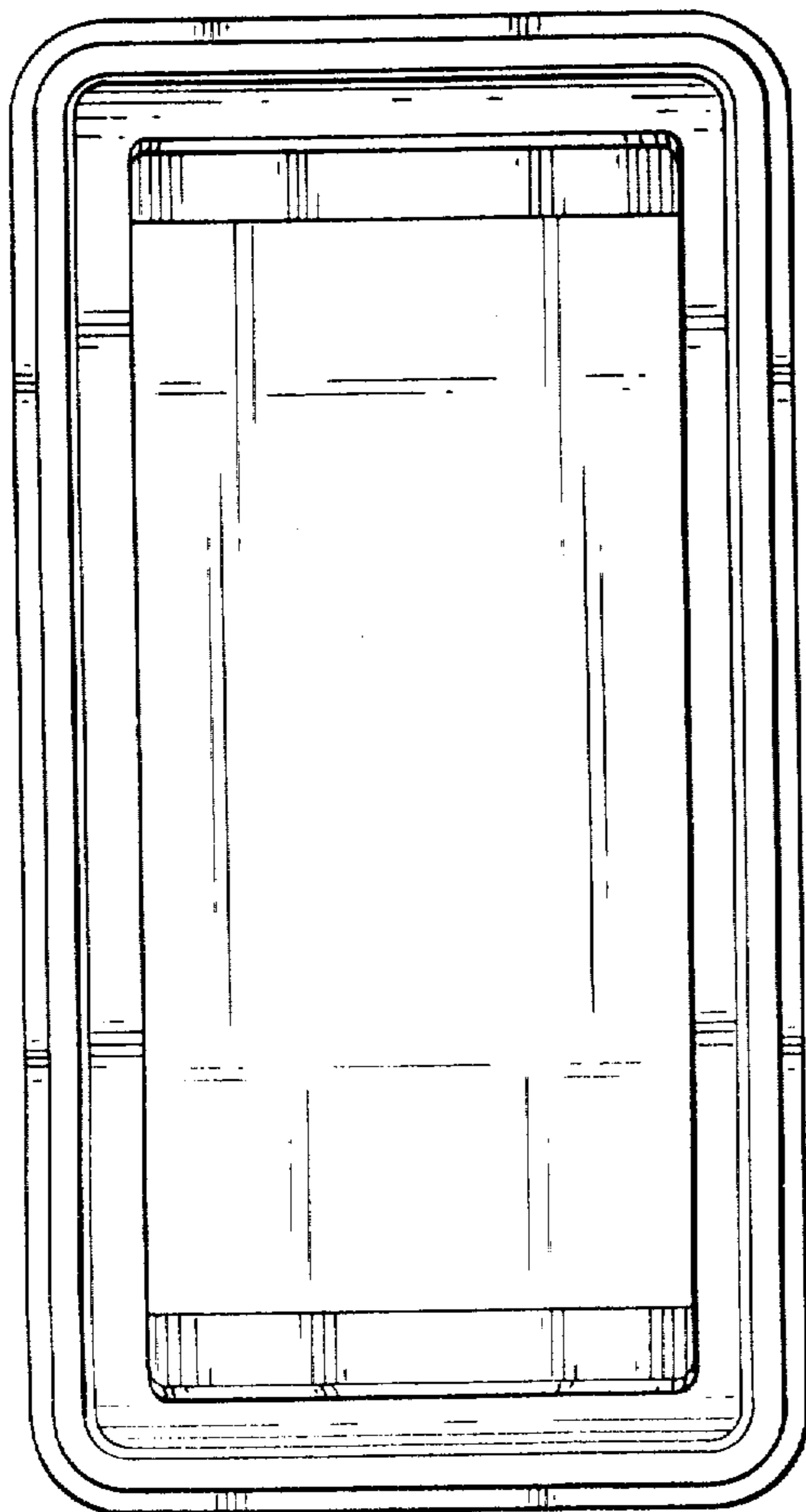


FIG. 4

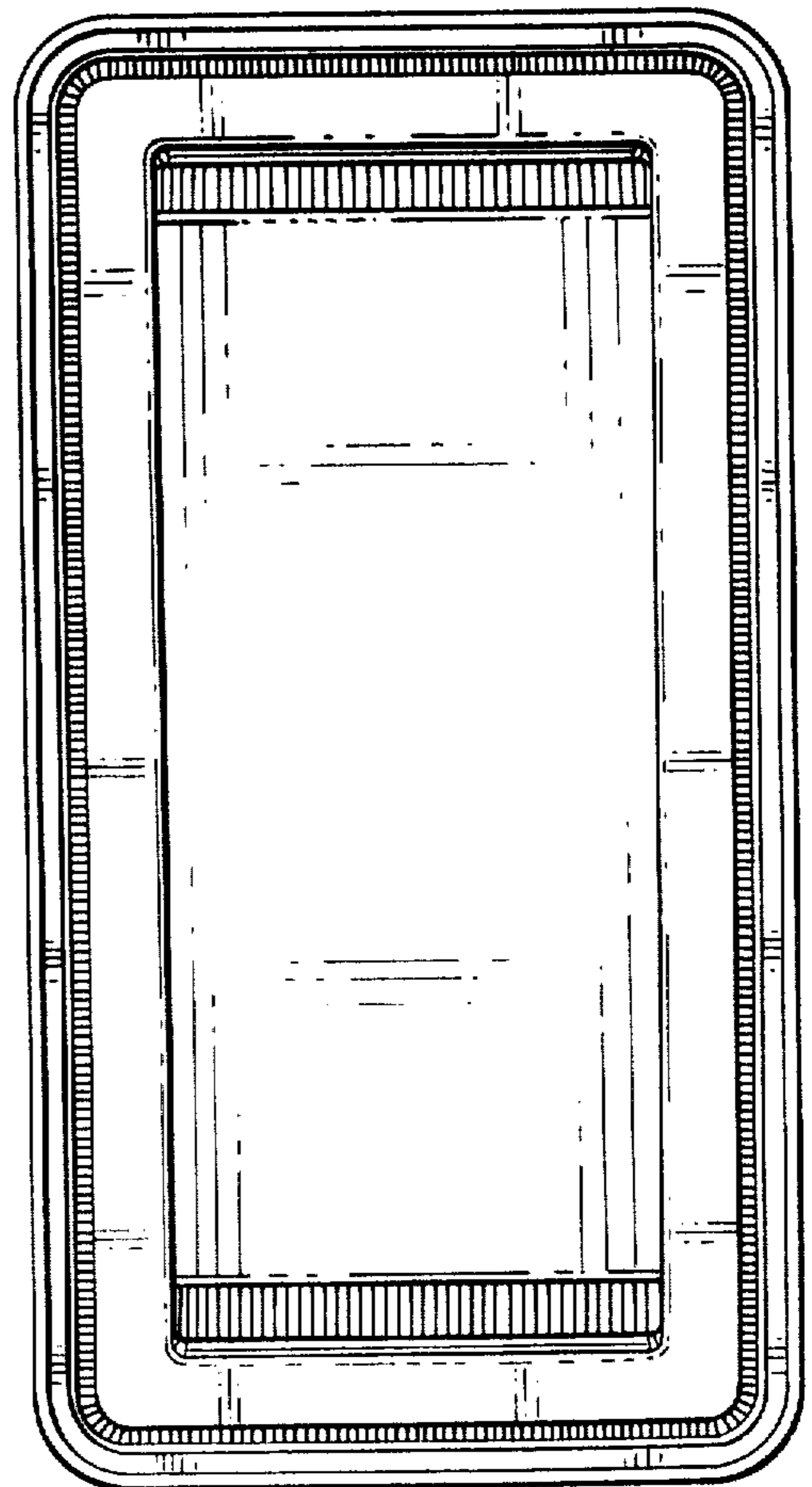


FIG. 5