

[54] **GARMENT HANGER**  
 [75] Inventor: **Howard Samuels**, Fort Lee, N.J.  
 [73] Assignee: **A&E Products Group, Inc.**, Keasbey, N.J.  
 [\*\*] Term: **14 Years**  
 [21] Appl. No.: **316,712**  
 [22] Filed: **Oct. 30, 1981**  
 [51] Int. Cl. .... **D6—08**  
 [52] U.S. Cl. .... **D6/252; D6/254; D6/256**  
 [58] Field of Search ..... **D6/113, 247, 248, 250-257; 211/113; 223/85, 87, 88, 91, 92, 94, 95, 96**

2,804,245 8/1957 Biondolillo et al. .... D6/252  
 3,744,685 7/1973 Hart ..... 223/96

*Primary Examiner*—B. J. Bullock  
*Attorney, Agent, or Firm*—Blum, Kaplan, Friedman, Silberman & Beran

[56] **References Cited**

**U.S. PATENT DOCUMENTS**

D. 144,696	5/1946	Crowley	.....	D6/252
D. 195,445	6/1963	Warmath	.....	D6/254
D. 229,810	1/1974	Wahl	.....	D6/252
1,025,775	5/1912	Ackerman et al.	.....	D6/247
2,165,215	7/1939	Blinn	.....	223/91

[57] **CLAIM**

The ornamental design for a garment hanger, as shown.

**DESCRIPTION**

FIG. 1 is a top plan view of a garment hanger showing my new design;  
 FIG. 2 is a front elevational thereof;  
 FIG. 3 is a side elevational view taken from the right of FIG. 2;  
 FIG. 4 is a bottom plan view thereof;  
 FIG. 5 is a rear elevational view thereof;  
 FIG. 6 is an enlarged fragmentary sectional view taken in the direction of the arrows on line 6—6 of FIG. 2;  
 FIG. 7 is an enlarged sectional view taken in the direction of the arrows on line 7—7 of FIG. 2;  
 FIG. 8 is an enlarged sectional view taken in the direction of the arrows on line 8—8 of FIG. 2.

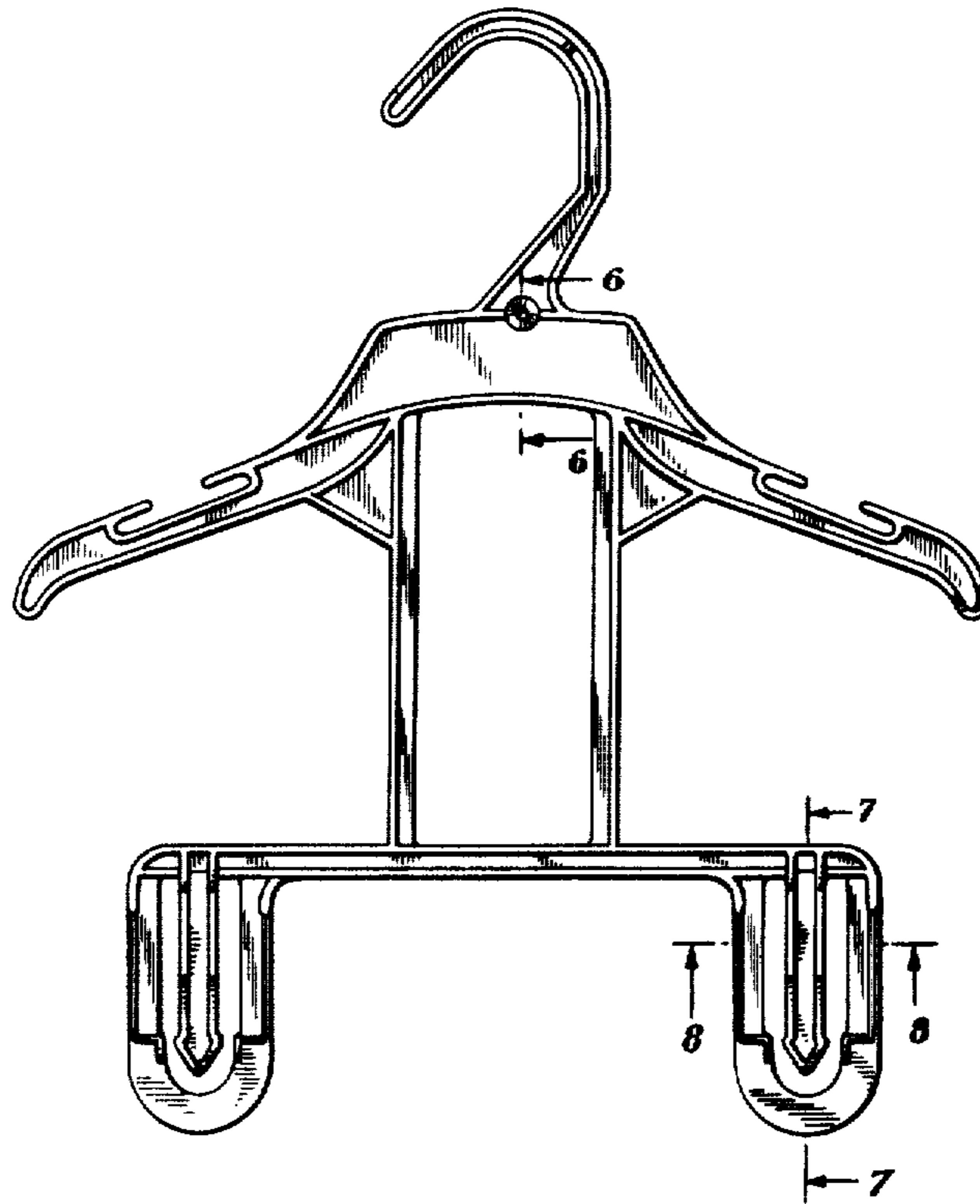


FIG. 1

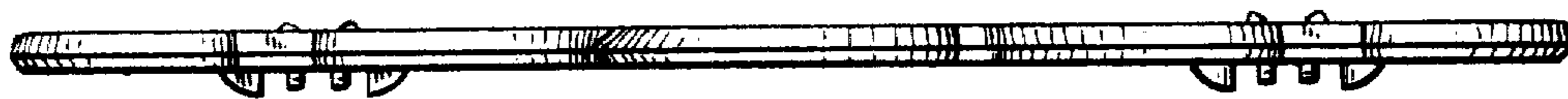


FIG. 2

FIG. 3

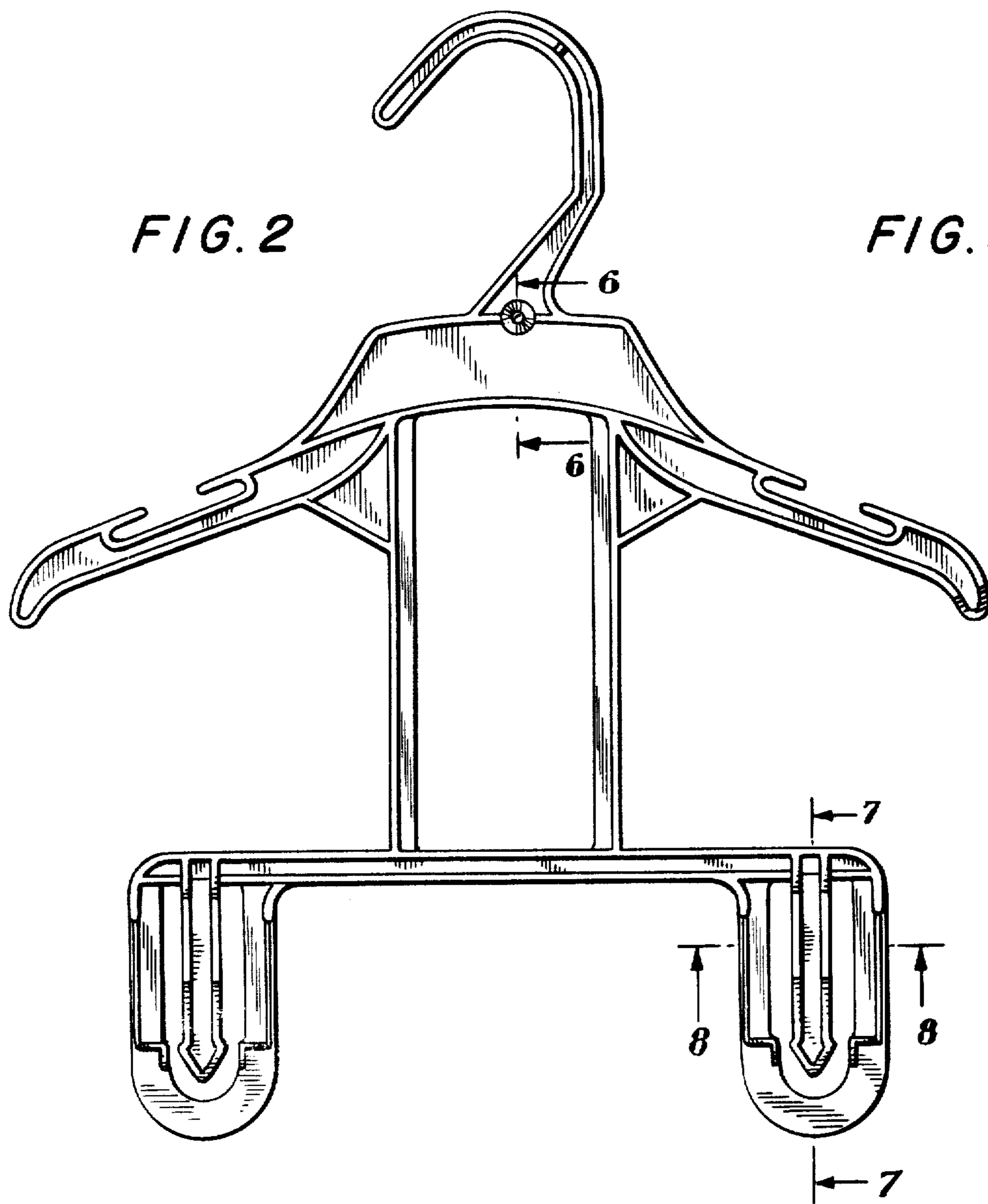


FIG. 4

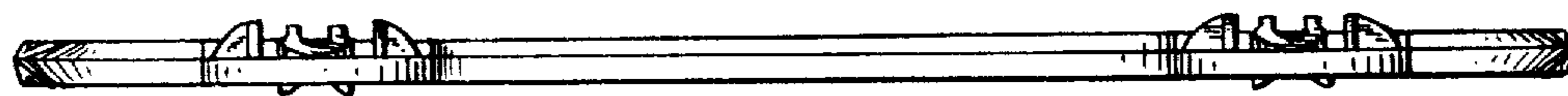


FIG. 7

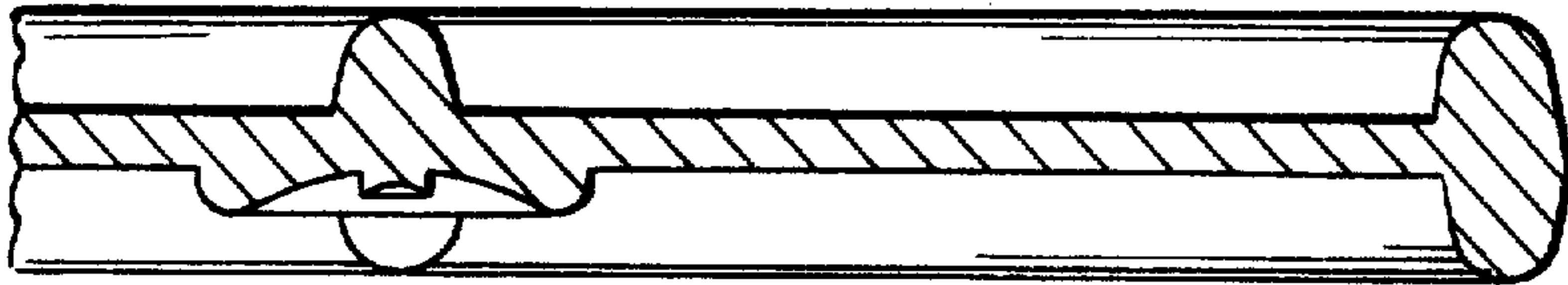
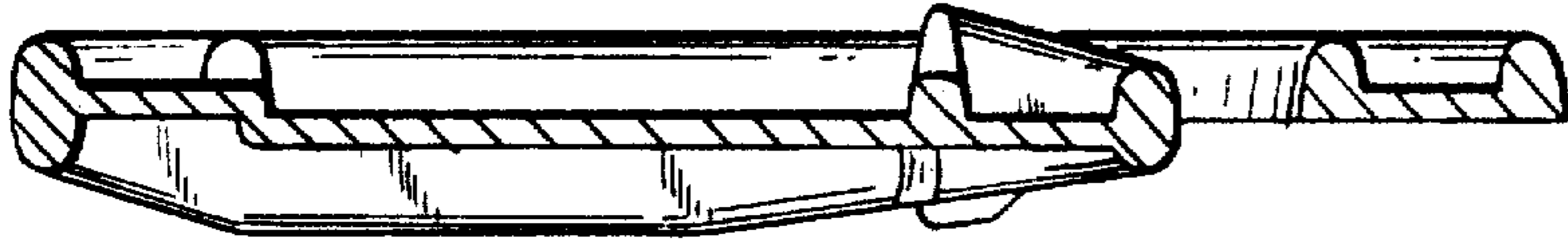


FIG. 6

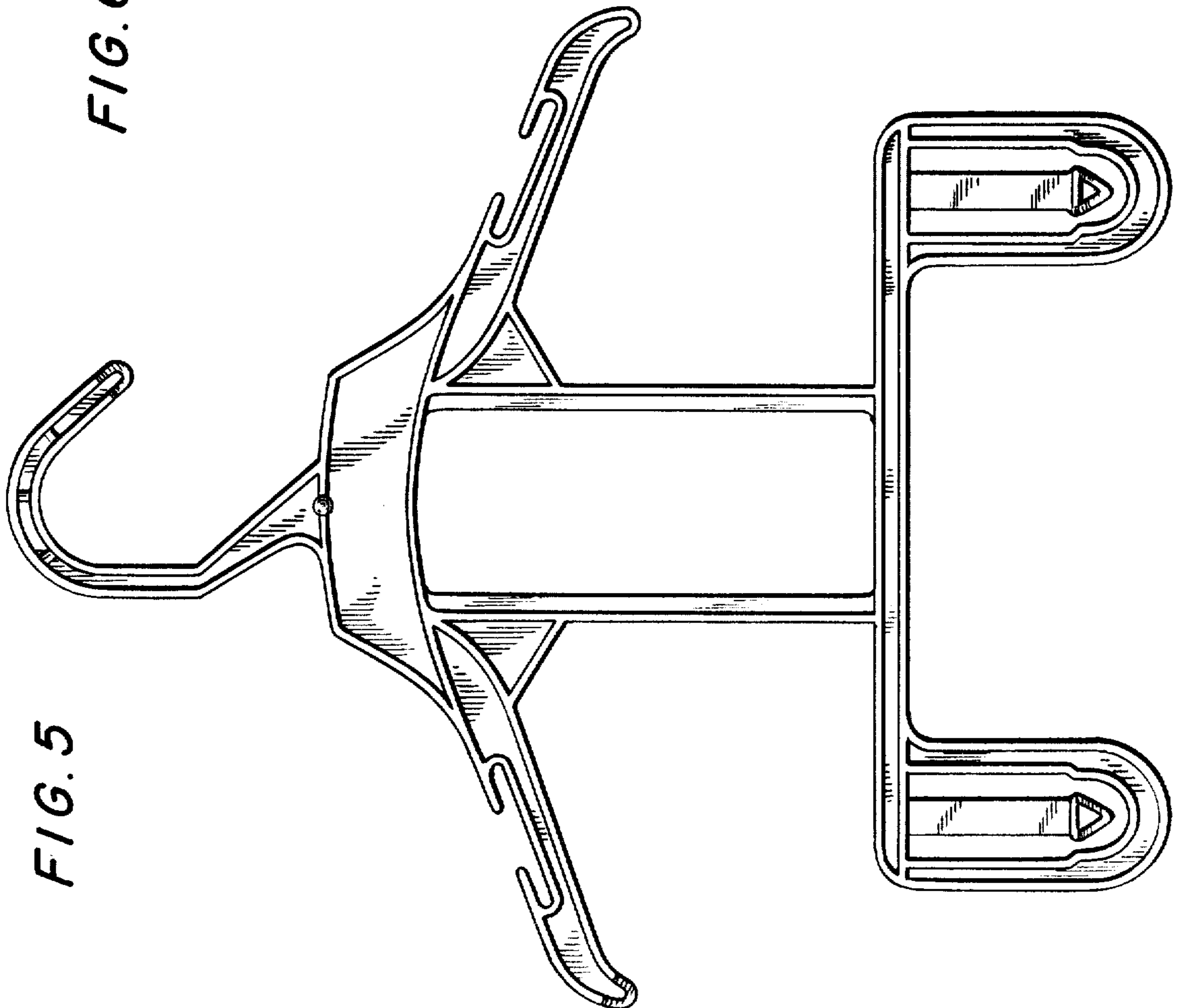


FIG. 5

FIG. 8

