

[54] SHOE RACK

3,762,573 10/1973 Collins et al. 211/34

[76] Inventor: Robert L. Bowsher, 212 - 19th Ave., Moline, Ill. 61265

OTHER PUBLICATIONS

Sears F & W 1978, p. 316; "Fashion Dress Boots #5"; bottom right of page.

[**] Term: 14 Years

Primary Examiner—Joel Stearman
Assistant Examiner—Carmen H. Vales
Attorney, Agent, or Firm—Jeffrey J. Miller

[21] Appl. No.: 289,833

[22] Filed: Jul. 27, 1981

[57] CLAIM

[51] Int. Cl. D06—04

The ornamental design for a shoe rack, substantially as shown and described.

[52] U.S. Cl. D6/153; D6/186

[58] Field of Search D6/5, 12, 85, 74, 151, D6/153, 157, 186, 99, 118; 211/34, 35, 36, 37, 38

DESCRIPTION

[56] References Cited

U.S. PATENT DOCUMENTS

D. 85,502 11/1931 Wilhelm D6/153
1,733,487 10/1929 Hackley 211/35

FIG. 1 is a front elevational view of a shoe rack showing my new design;
FIG. 2 is a rear elevational view thereof;
FIG. 3 is a top plan view thereof;
FIG. 4 is a bottom plan view thereof; and
FIG. 5 is a perspective view thereof.

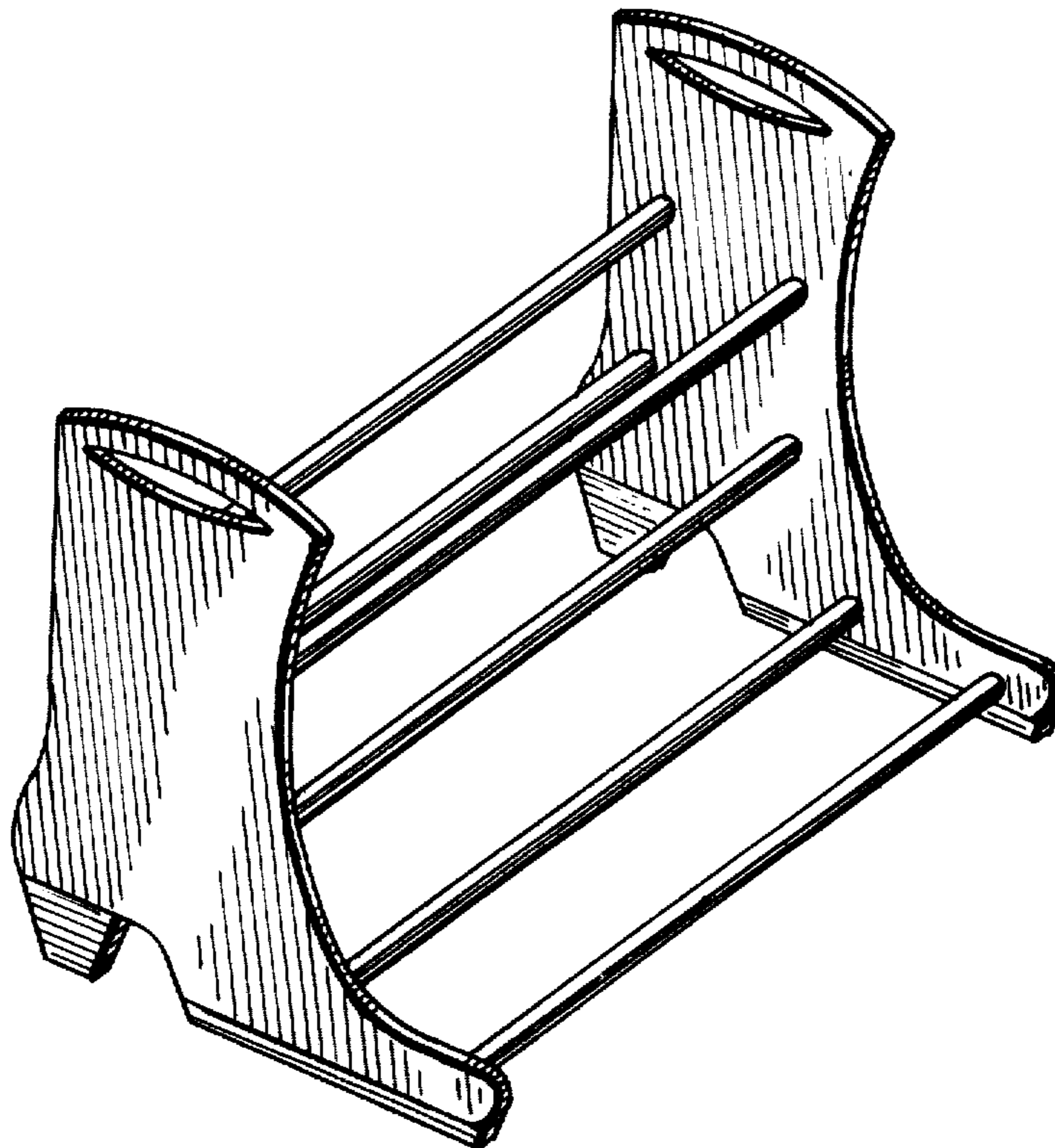


FIG. 1

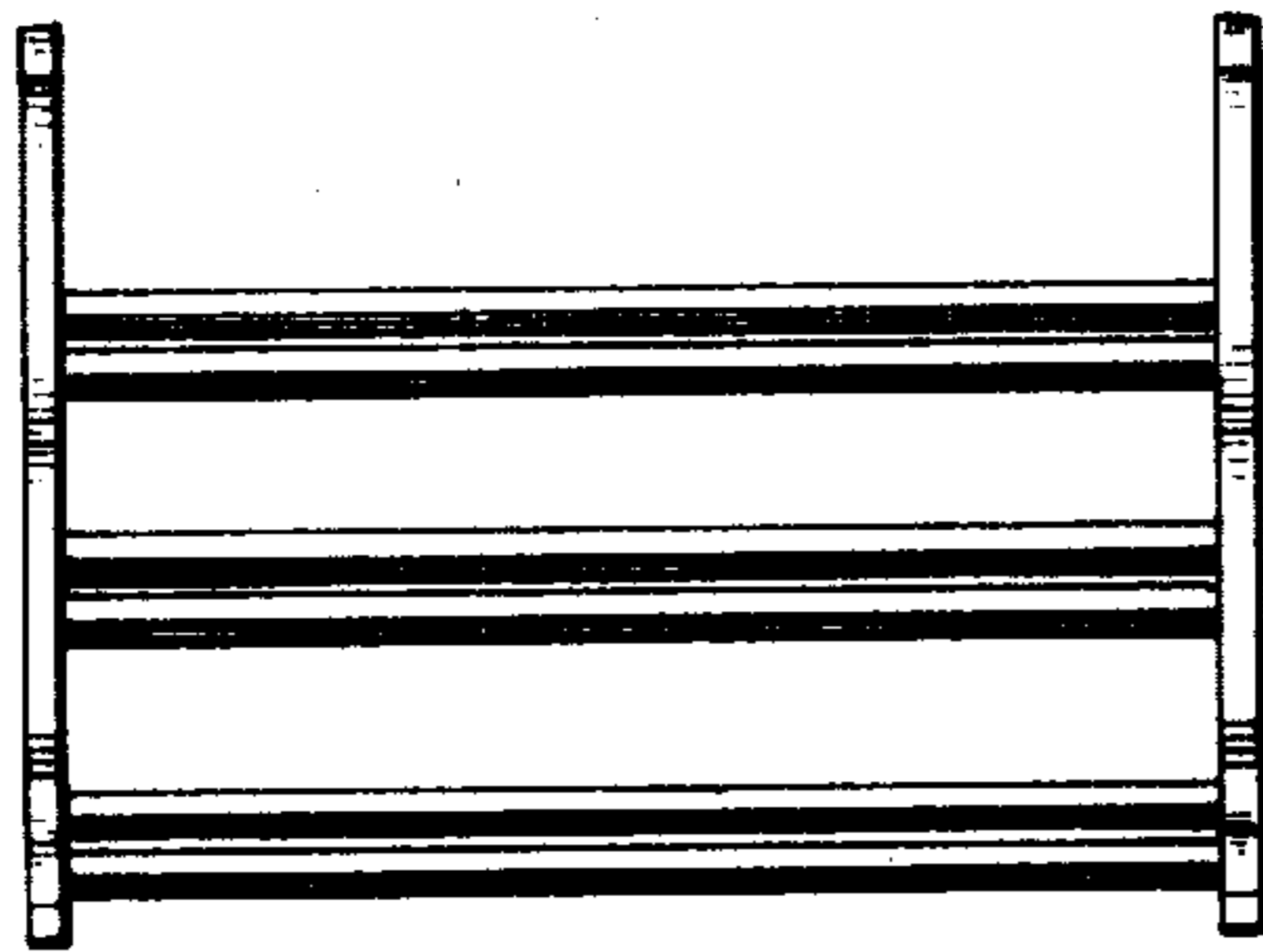


FIG. 2

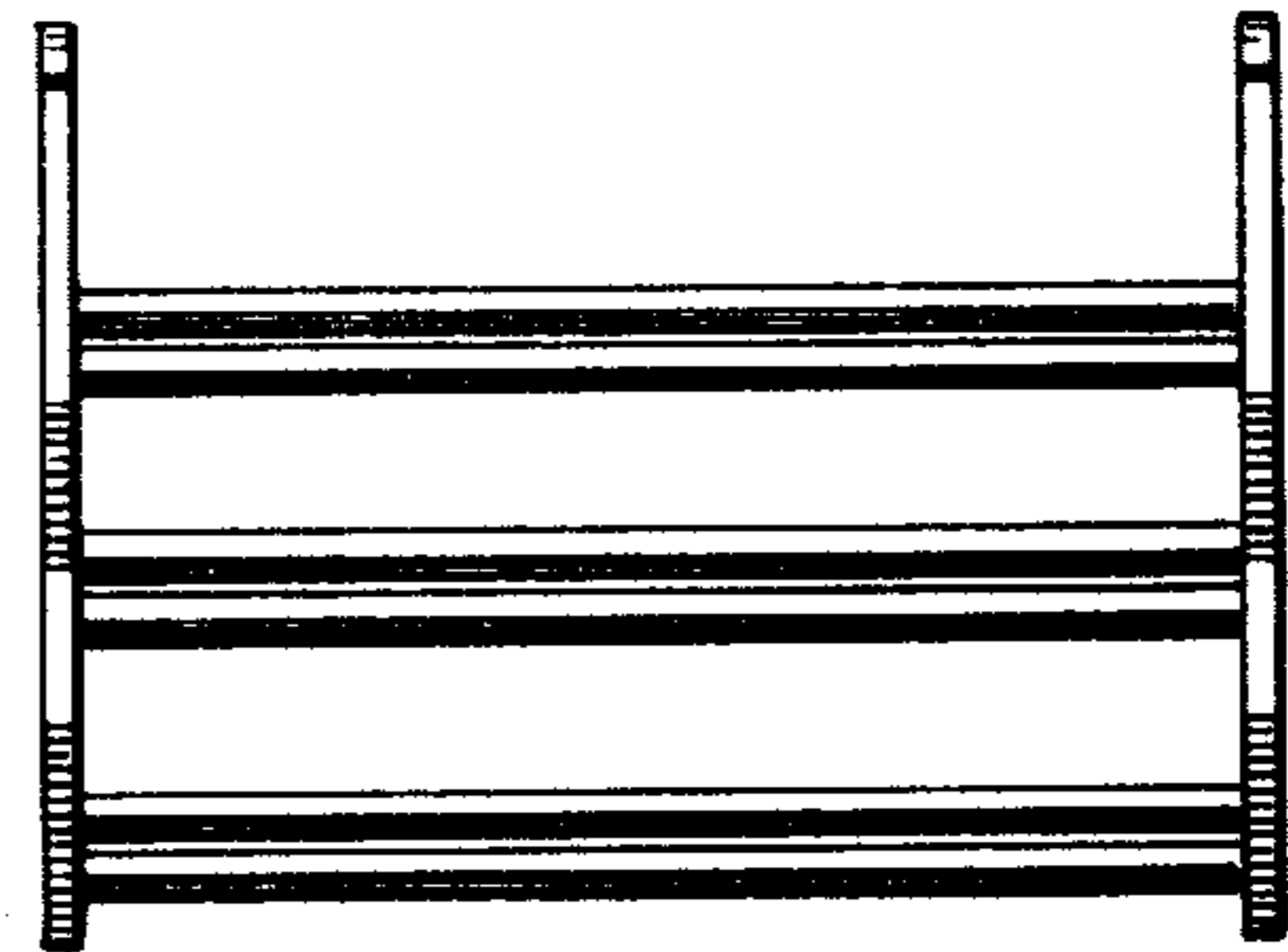


FIG. 3

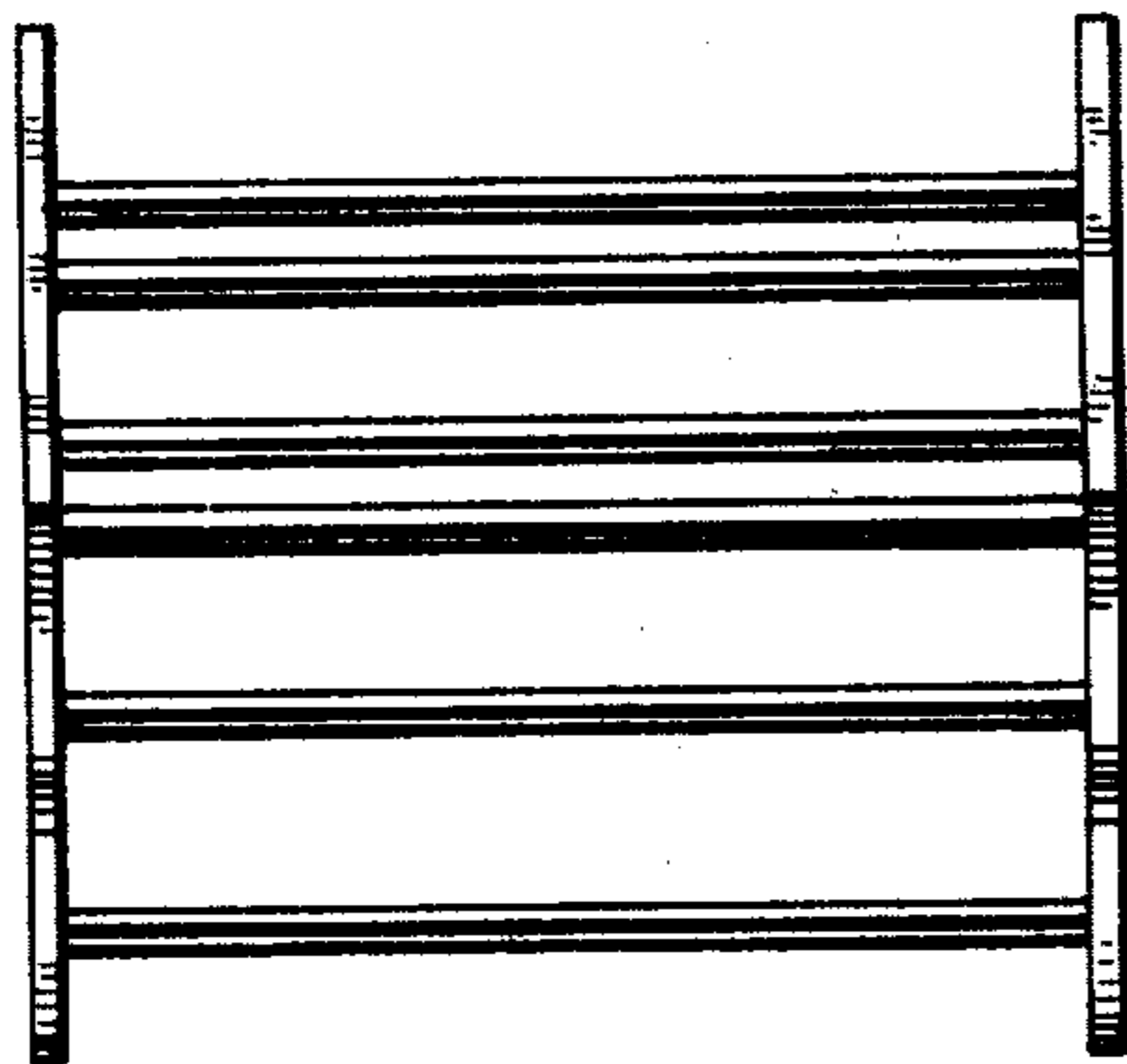


FIG. 4

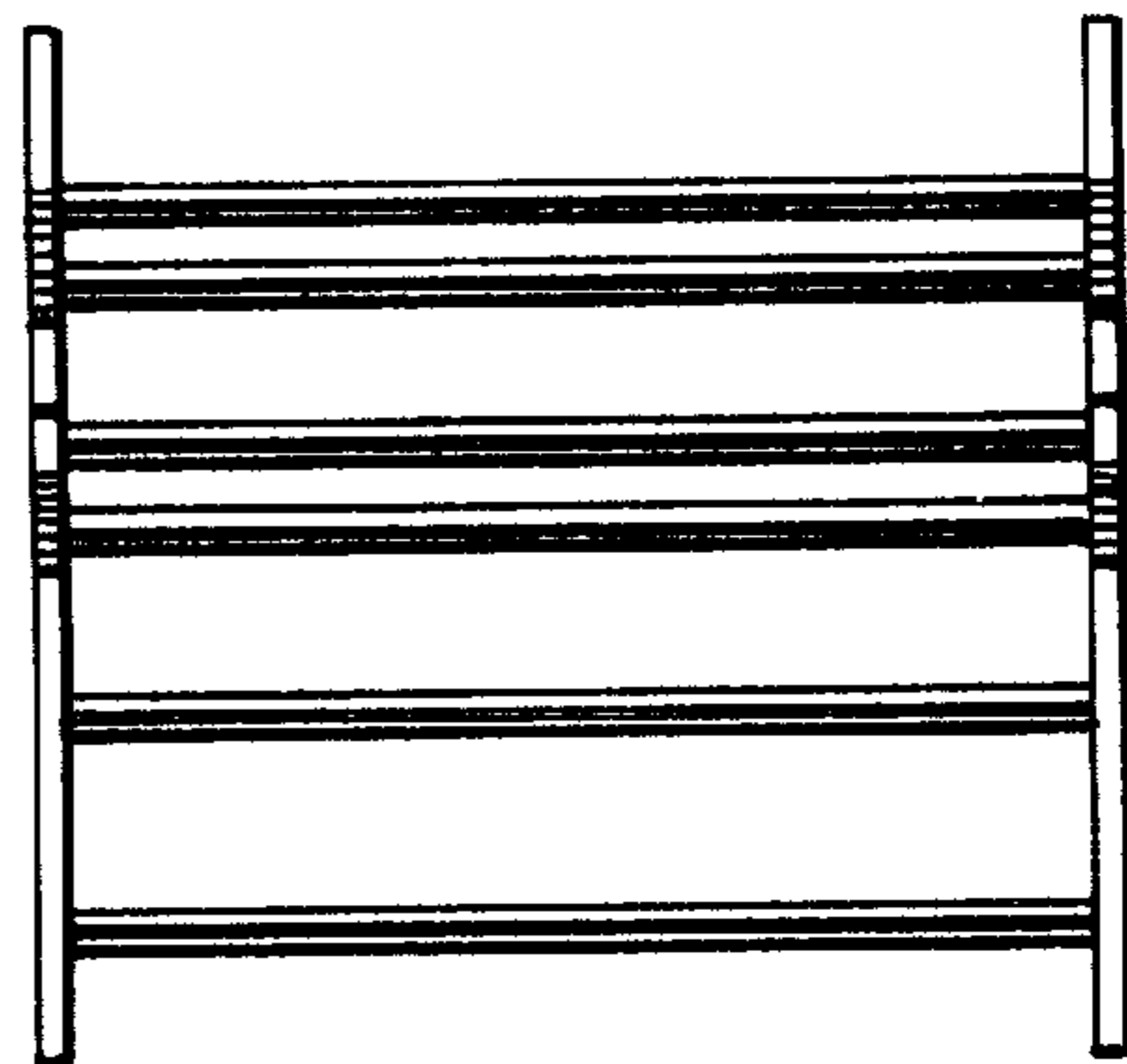


FIG. 5

