

[54] COLLAPSIBLE RACK FOR CLOTHES HANGERS, BOLA TIES OR JEWELRY ITEMS

394,252 12/1888 Davis ..... 211/100  
1,587,676 6/1926 Patterson ..... 211/1.3  
2,429,041 10/1947 Anderson ..... 211/100  
3,941,250 3/1976 Ott ..... 211/1.3

[75] Inventor: John N. Smith, Tempe, Ariz.

Primary Examiner—B. J. Bullock  
Attorney, Agent, or Firm—Warren F. B. Lindsley

[73] Assignee: Warren F. B. Lindsley, Phoenix, Ariz. ; a part interest

[57] CLAIM

[\*\*] Term: 14 Years

The ornamental design for a collapsible rack for clothes hangers, bola ties or jewelry items, as shown and described.

[21] Appl. No.: 295,868

[22] Filed: Aug. 24, 1981

DESCRIPTION

[51] Int. Cl. .... D6—04; D8—08

FIG. 1 is a top, front perspective view of a collapsible rack for clothes hangers, bola ties or jewelry items showing my new design;

[52] U.S. Cl. .... D6/124; D6/114; D8/373; D8/380

FIG. 2 is a bottom, rear perspective view thereof.

[58] Field of Search ..... D6/114, 116, 124; D8/373, 380; 211/1.3, 87, 105.1, 100

FIG. 3 is a partial top view of FIG. 1;

FIG. 4 is a partial rear perspective view with the arm in its stored position;

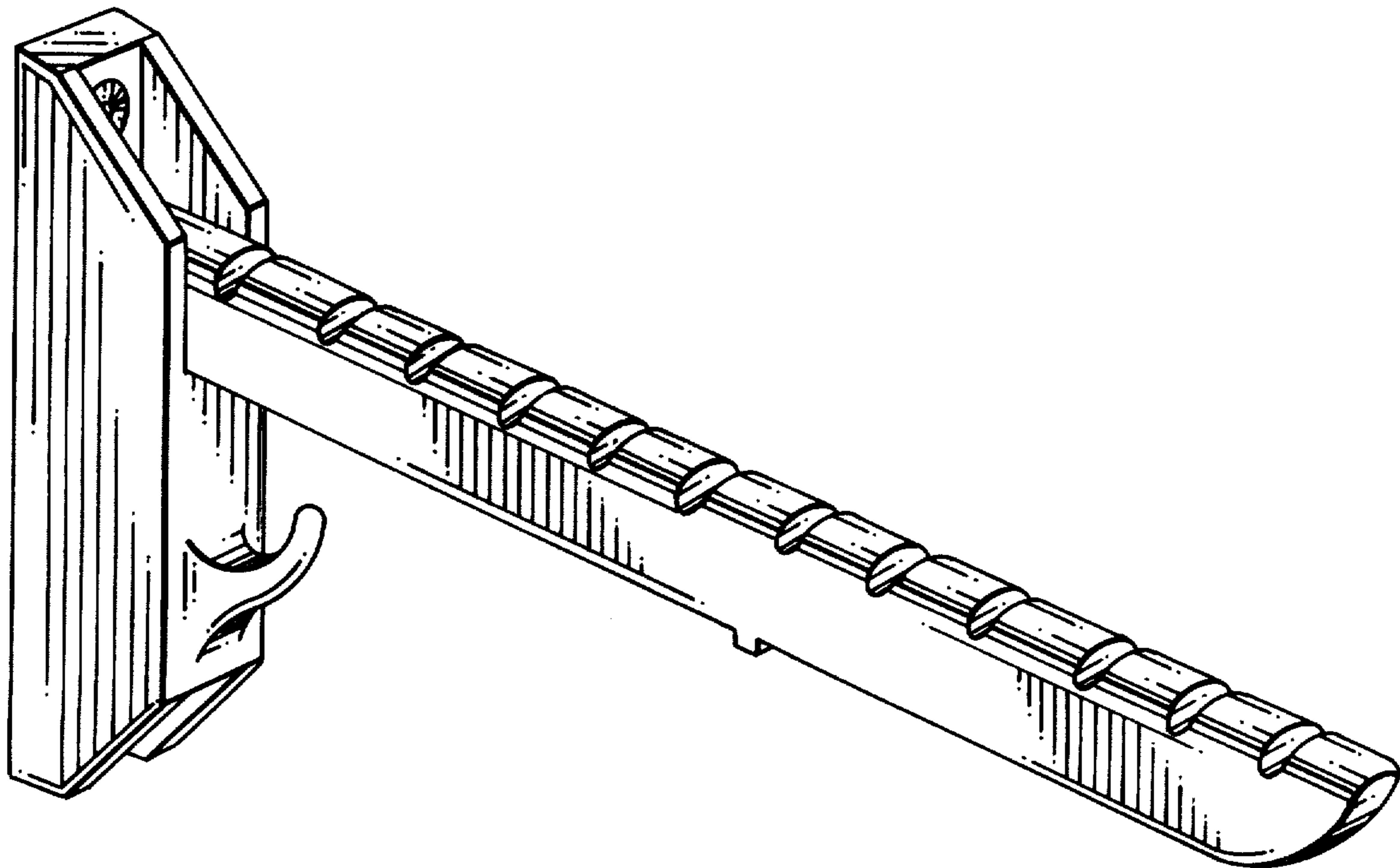
[56] References Cited

U.S. PATENT DOCUMENTS

D. 259,228 5/1981 Fabian ..... D6/124

FIG. 5 is a front perspective view with the arm in its stored position;

FIG. 6 is a top view of FIG. 5.



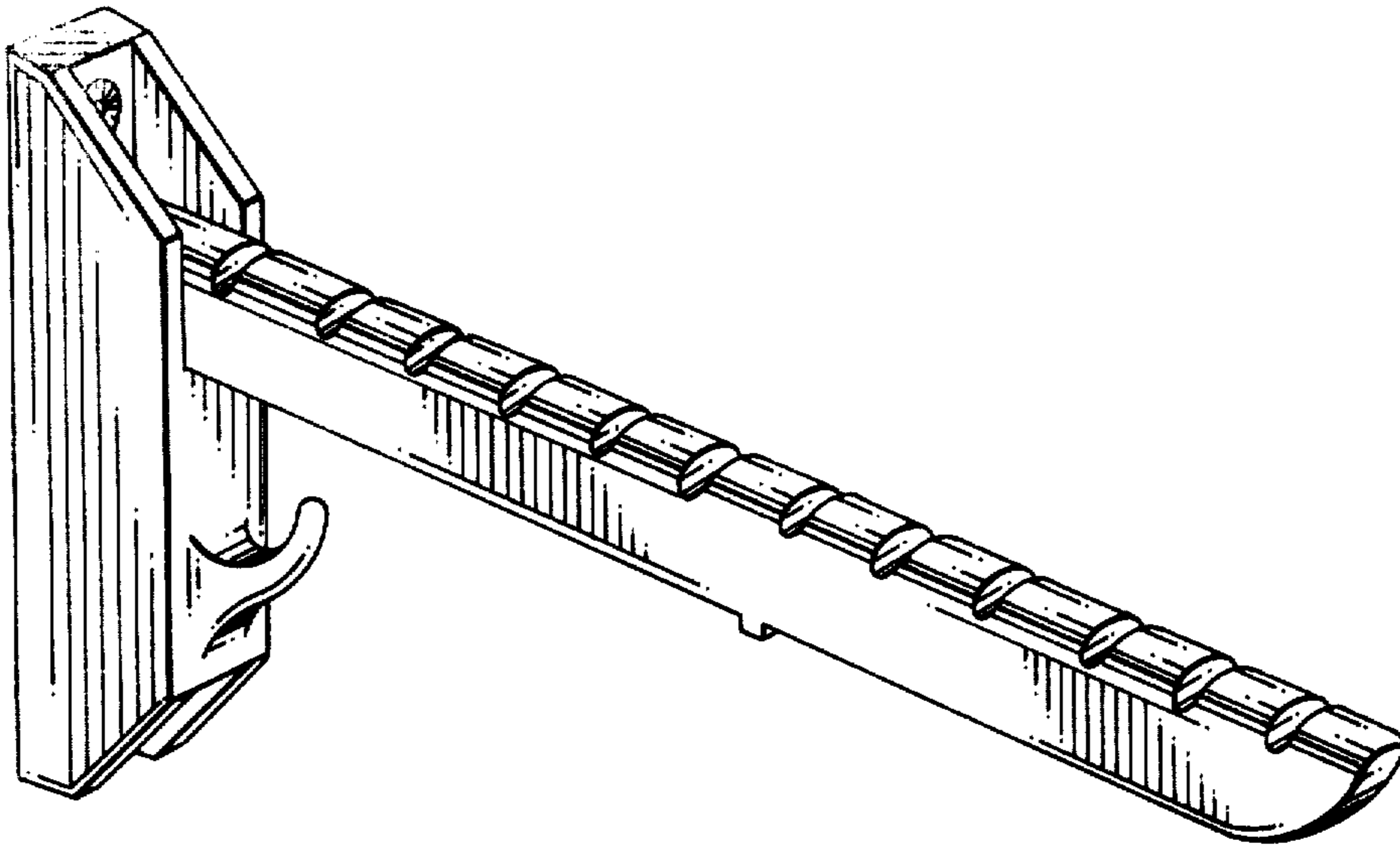


FIG. 1

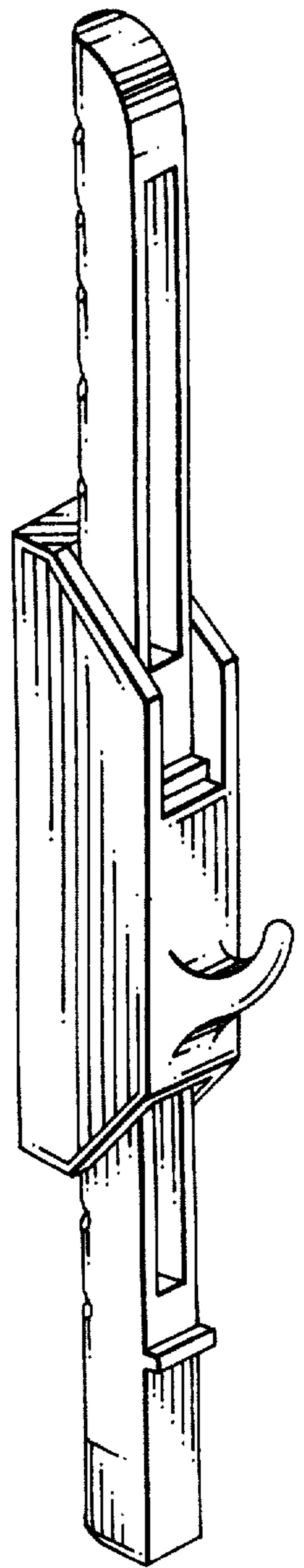


FIG. 5

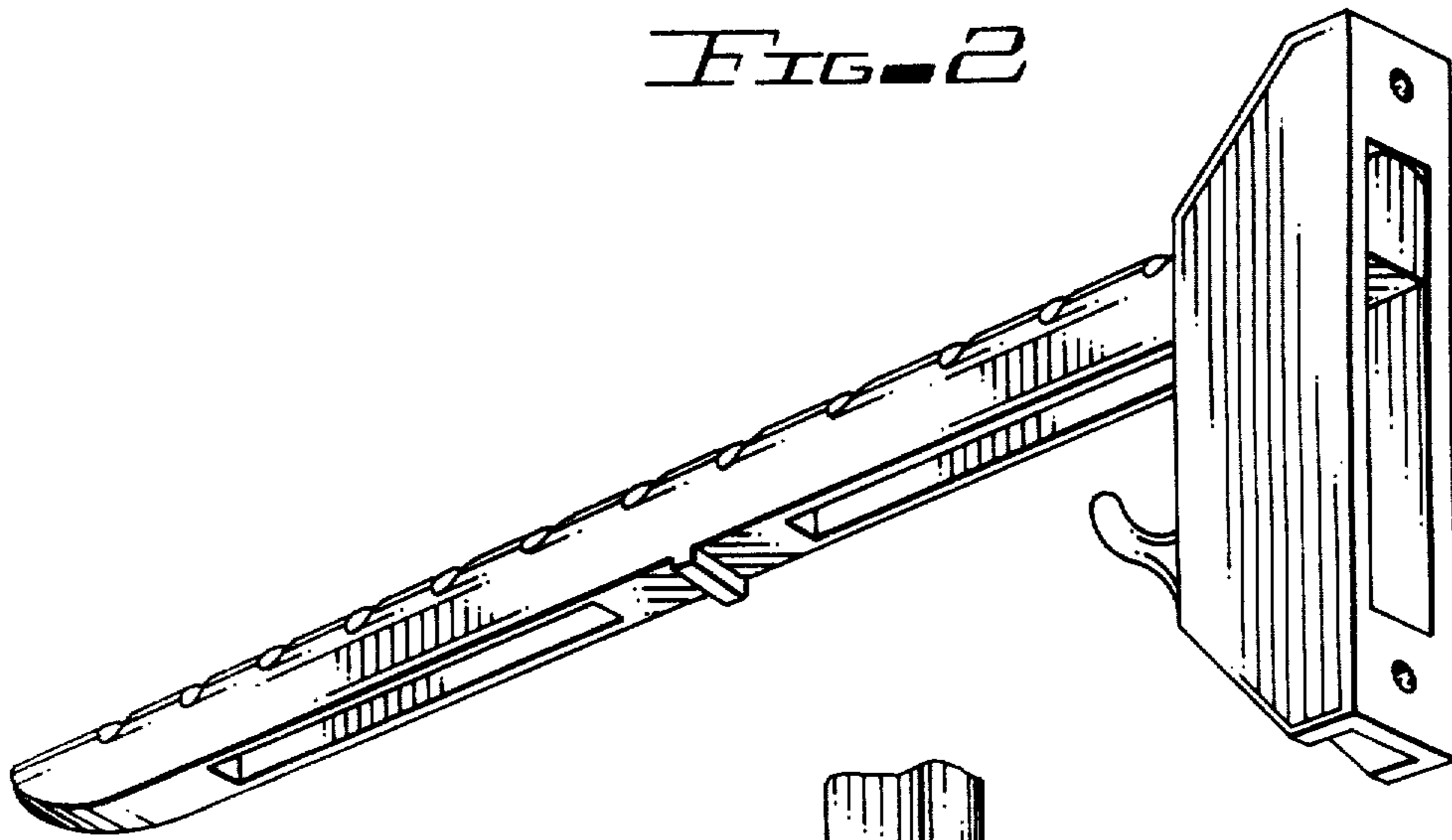


FIG. 2

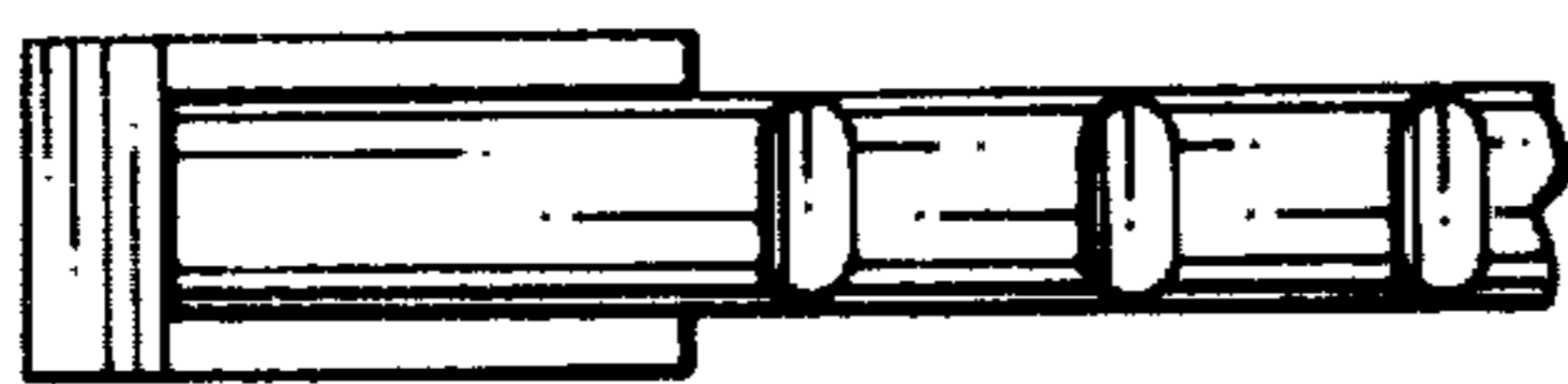


FIG. 3

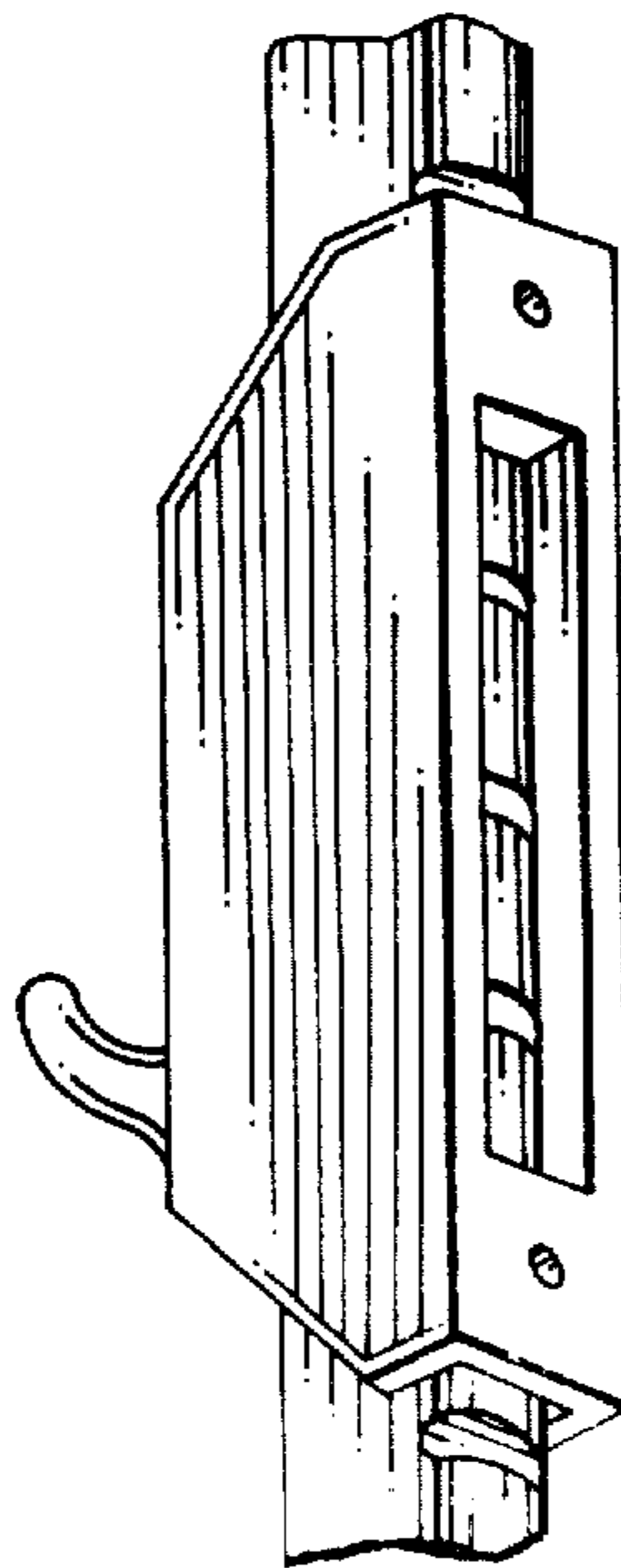


FIG. 4



FIG. 6