

[54] **HANGER RACK FOR GARMENTS OR THE LIKE**

[76] Inventors: **Vito Licari; Yaffa Licari**, both of 875 Ocean Ave., Elberon, N.J. 07740

[**] Term: **14 Years**

[21] Appl. No.: **256,485**

[22] Filed: **Apr. 22, 1981**

[51] Int. Cl. **D6—06; D8—08**

[52] U.S. Cl. **D6/122; D6/116; D8/367; D8/372**

[58] Field of Search **D6/116, 120, 122; D8/367, 372, 371; 248/303, 304, 220.2; 211/32, 87**

[56] **References Cited**

U.S. PATENT DOCUMENTS

D. 236,567	9/1975	Ballin	D6/120
D. 238,920	2/1976	Vrignaud	D6/120
239,465	3/1881	Delany	211/87
D. 267,606	1/1983	Vrignaud	D8/372
1,096,660	5/1914	Wood	211/87
1,491,286	4/1924	Calhoun	211/32
1,575,270	3/1926	Jankowsky	211/87
1,848,937	3/1932	Coventry	211/87
1,930,965	10/1933	Christy	211/94
1,995,246	3/1945	Greims	248/307
3,504,878	4/1970	Dressler	211/87
3,515,284	6/1970	Taylor	248/307
3,733,043	5/1973	Binns et al.	211/87
3,954,182	5/1976	McEvers	211/94
4,069,920	1/1978	Ross	211/87
4,094,415	6/1978	Larson	211/87

Primary Examiner—B. J. Bullock

Attorney, Agent, or Firm—Lerner, David, Littenberg, Krumholz and Mentlik

[57] **CLAIM**

The ornamental design for a hanger rack for garments or the like, substantially as shown and described.

DESCRIPTION

FIG. 1 is a perspective view of a hanger rack for garments or the like showing my new design; FIG. 2 is a front elevational view thereof; FIG. 3 is a back elevational view thereof; FIG. 4 is a side elevational view taken from the left of FIG. 1; FIG. 5 is a side elevational view taken from the right of FIG. 1; FIG. 6 is a top plan view thereof; FIG. 7 is a bottom plan view thereof; FIG. 8 is a perspective view of a second embodiment of the design of FIG. 1; FIG. 9 is a front elevational view of FIG. 8; FIG. 10 is a back elevational view of FIG. 8; FIG. 11 is a side elevational view taken from the left of FIG. 8; FIG. 12 is a side elevational view taken from the right of FIG. 8; FIG. 13 is a top plan view of FIG. 8; FIG. 14 is a bottom plan view of FIG. 8; FIG. 15 is a perspective view of a third embodiment of the design of FIG. 1; FIG. 16 is a front elevational view of FIG. 15; FIG. 17 is a back elevational view of FIG. 15; FIG. 18 is a side elevational view taken from the left of FIG. 15; FIG. 19 is a side elevational view taken from the right of FIG. 15; FIG. 20 is a top plan view of FIG. 15; FIG. 21 is a bottom plan view of FIG. 15.

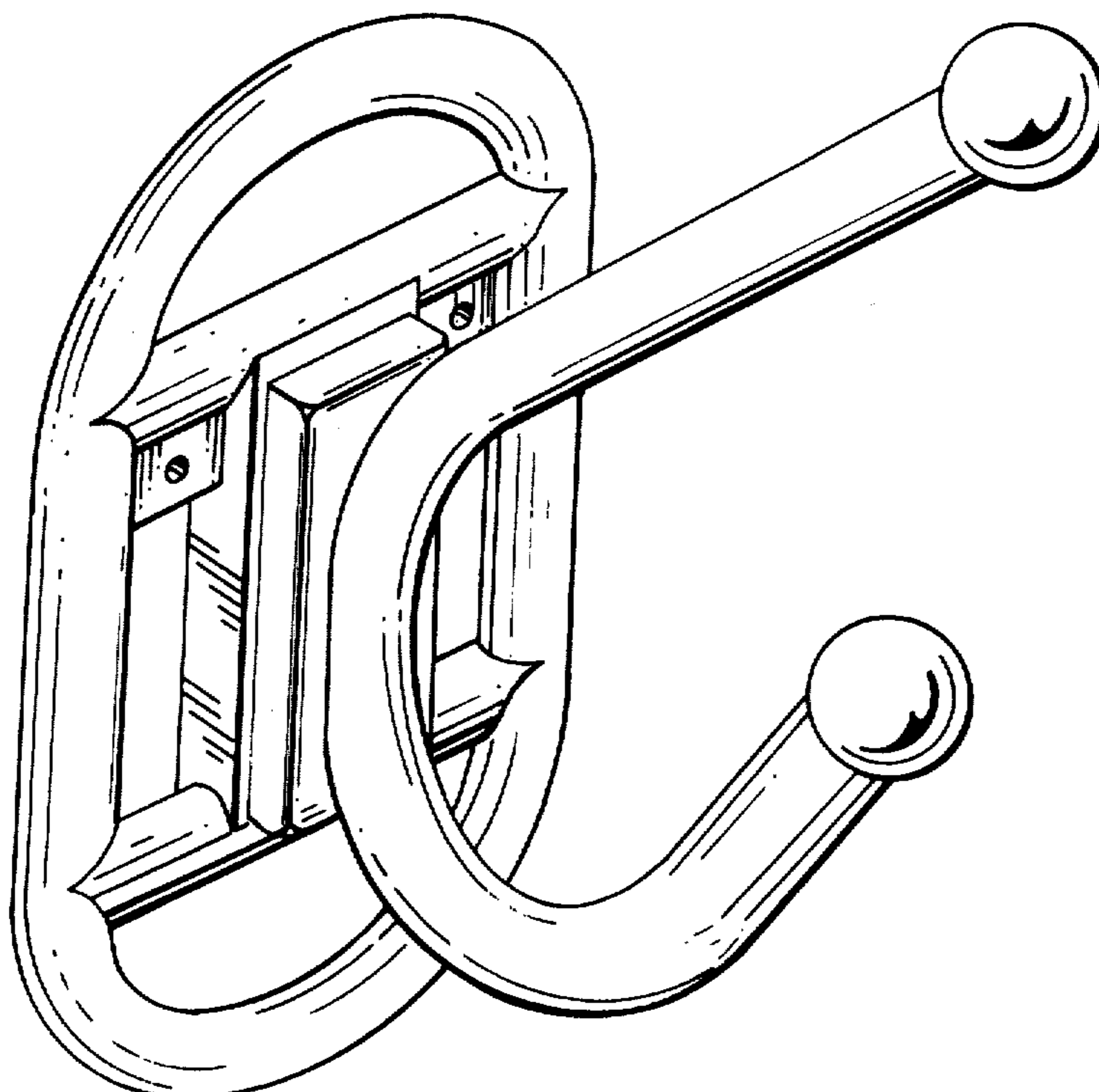


FIG. 1

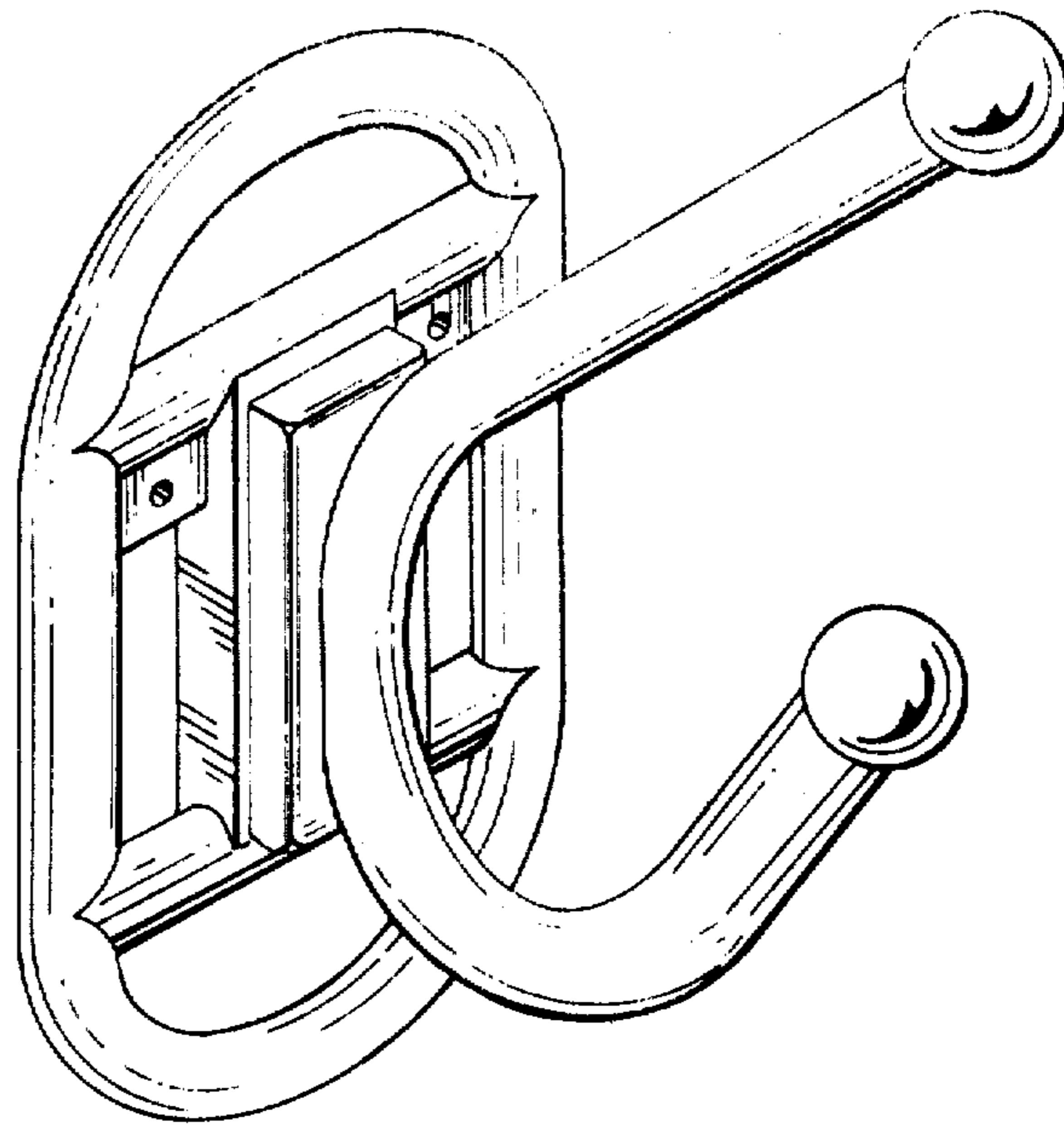


FIG. 2

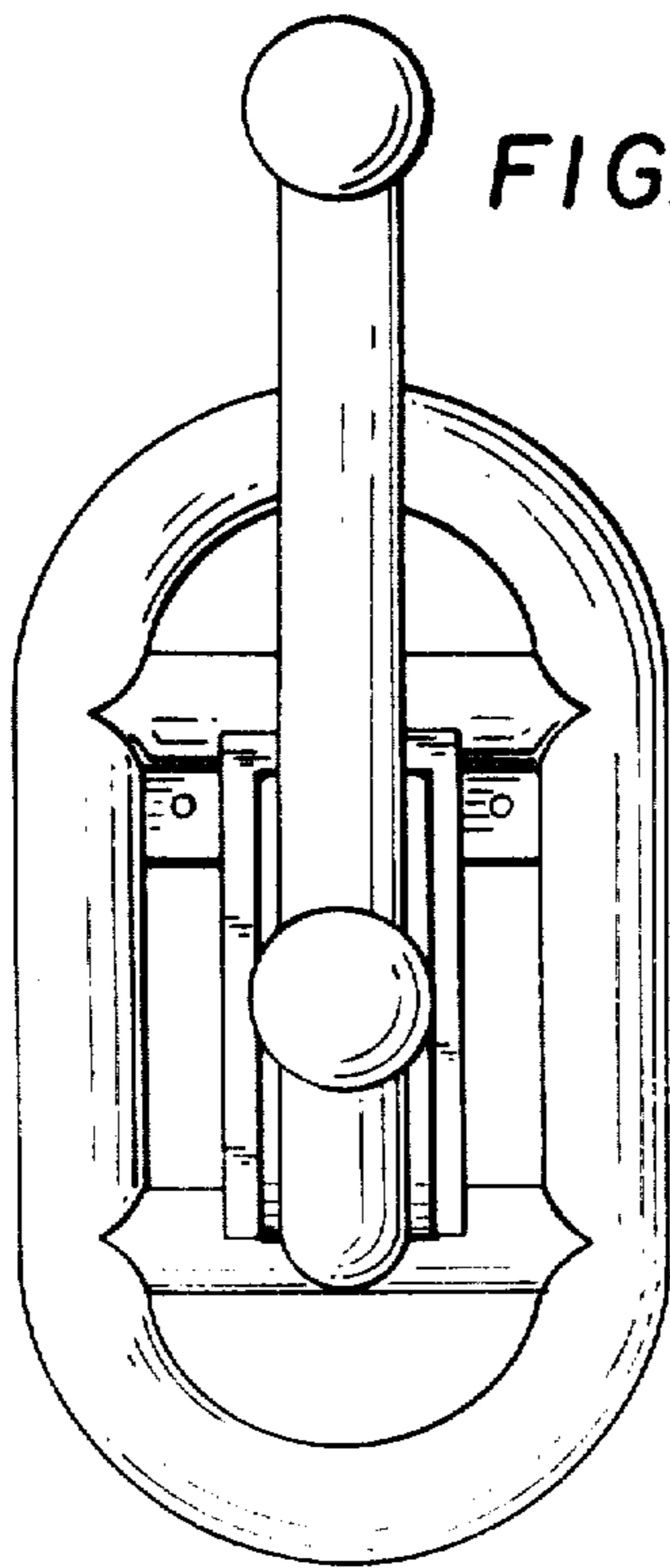
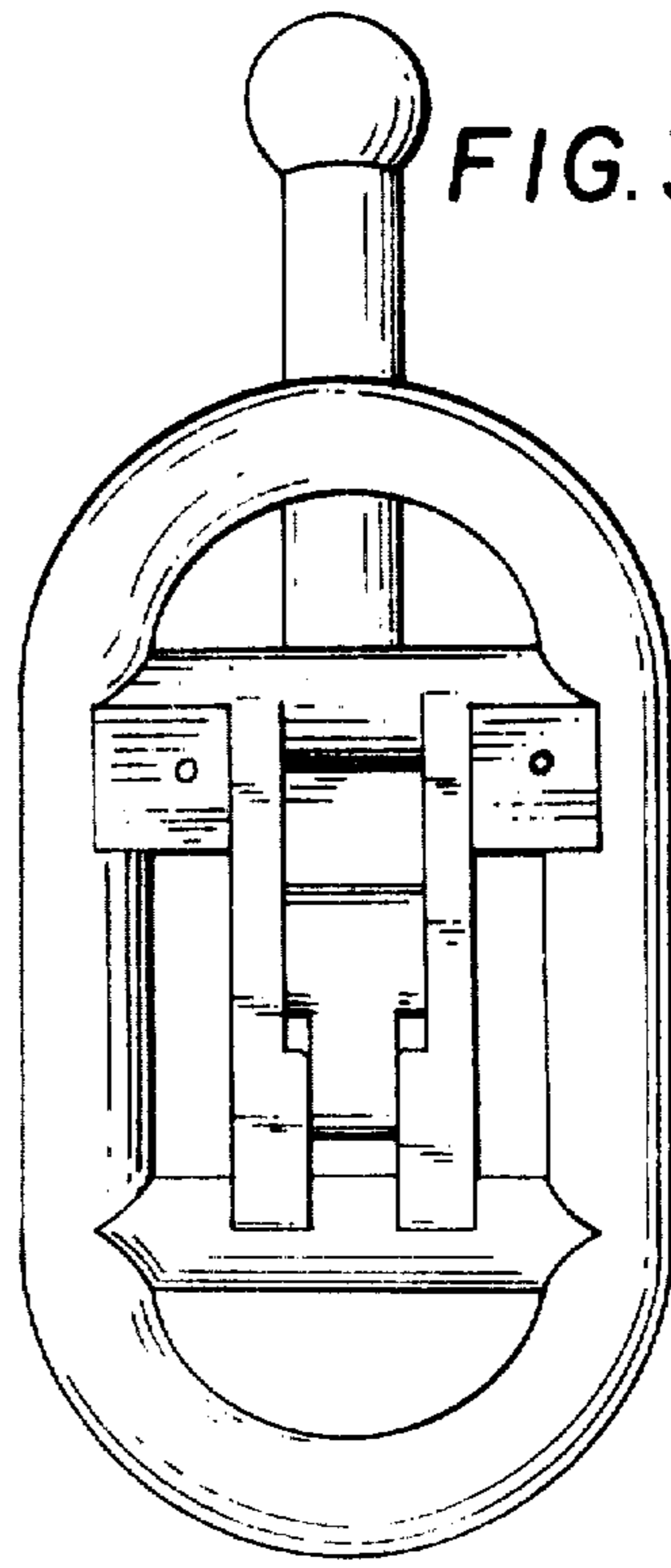


FIG. 3



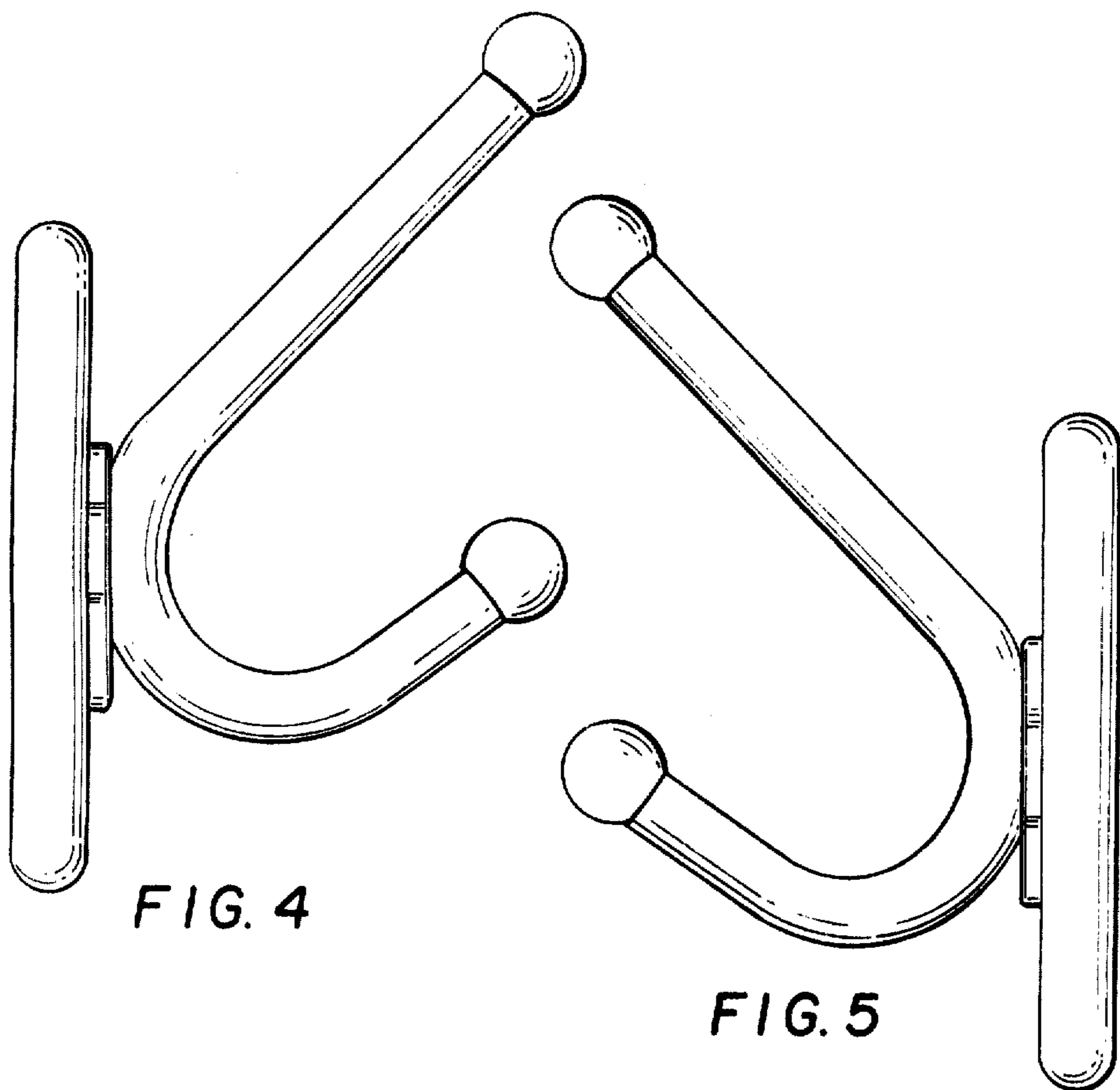


FIG. 4

FIG. 5

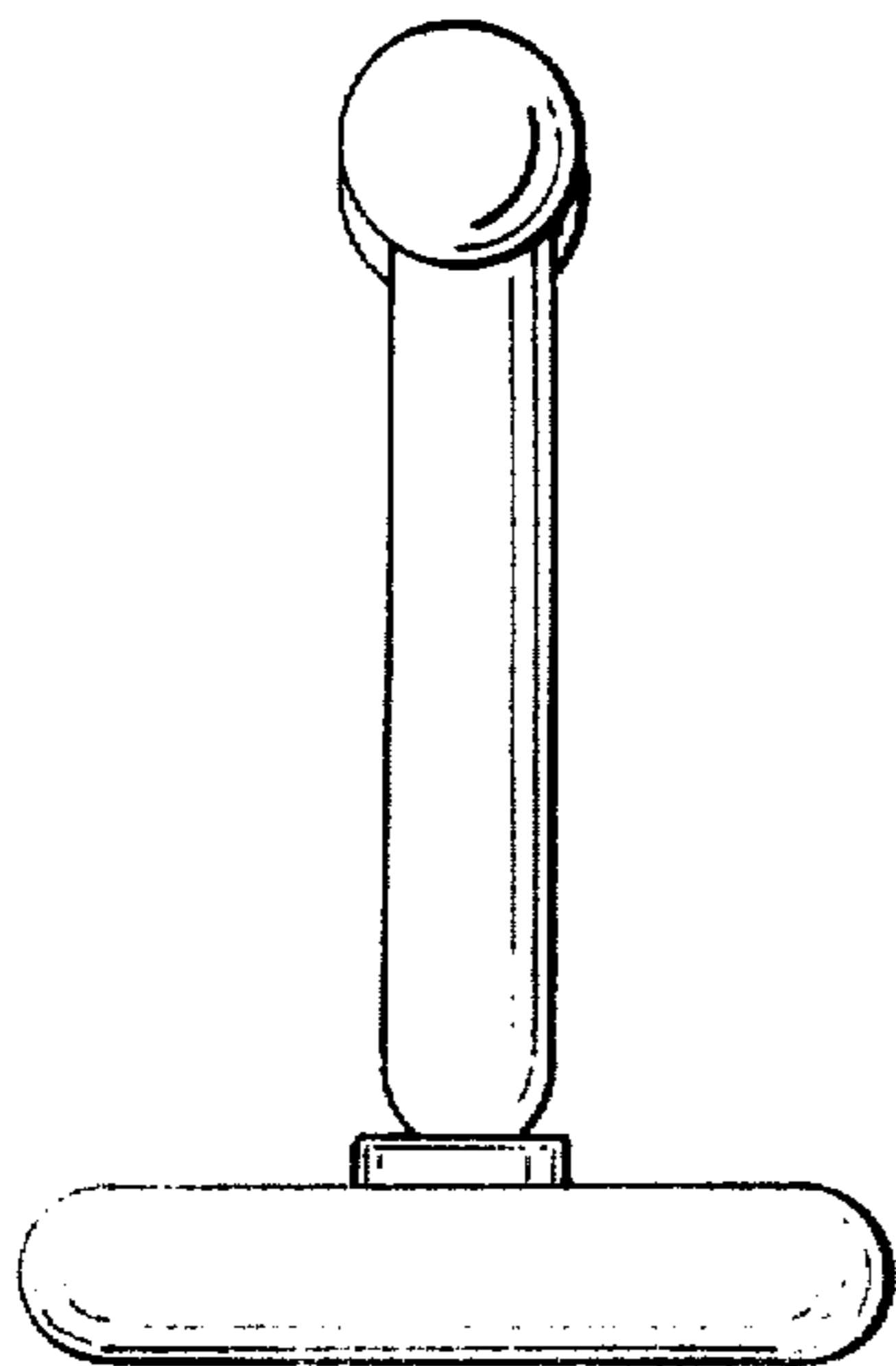


FIG. 6

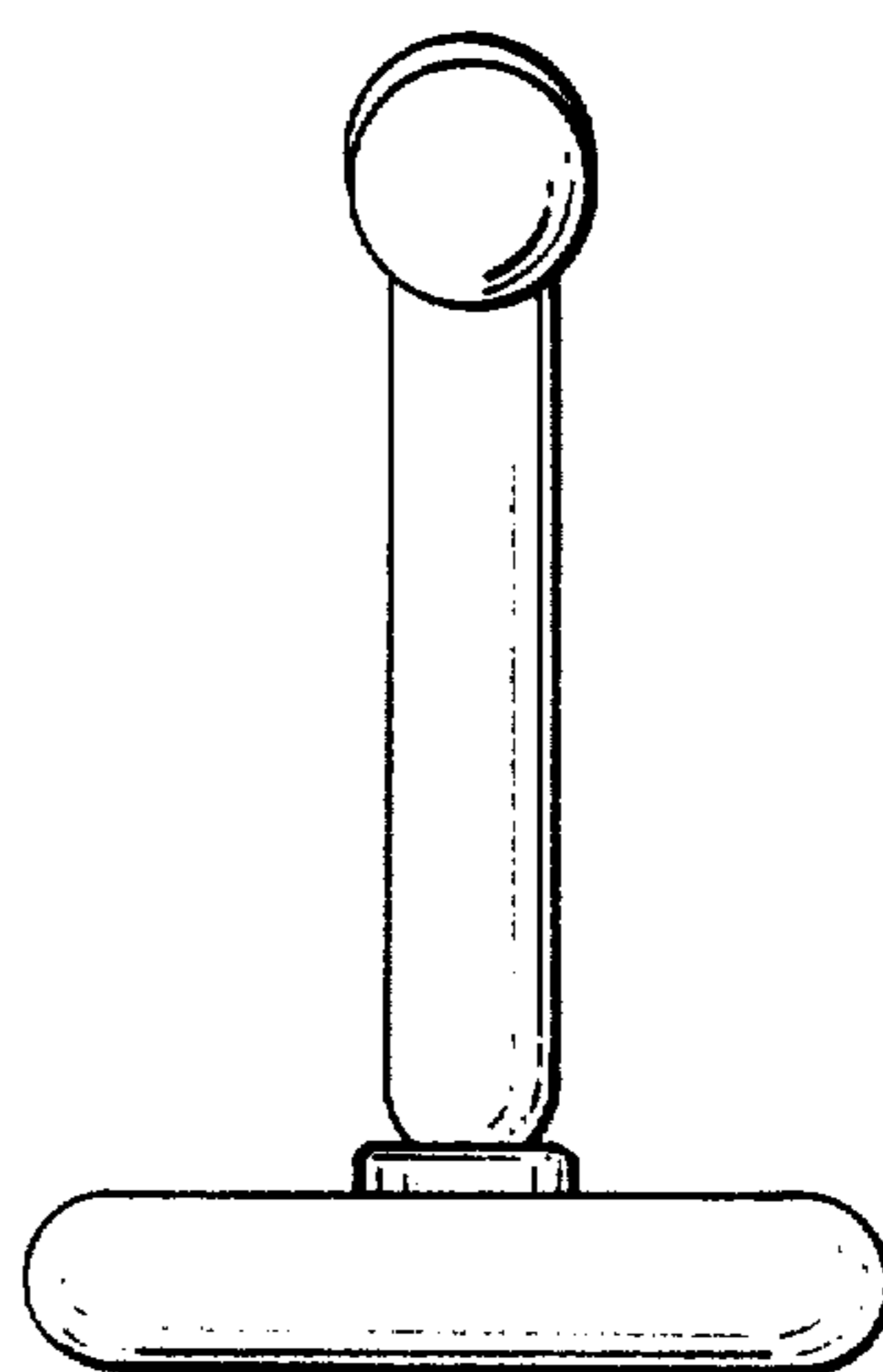
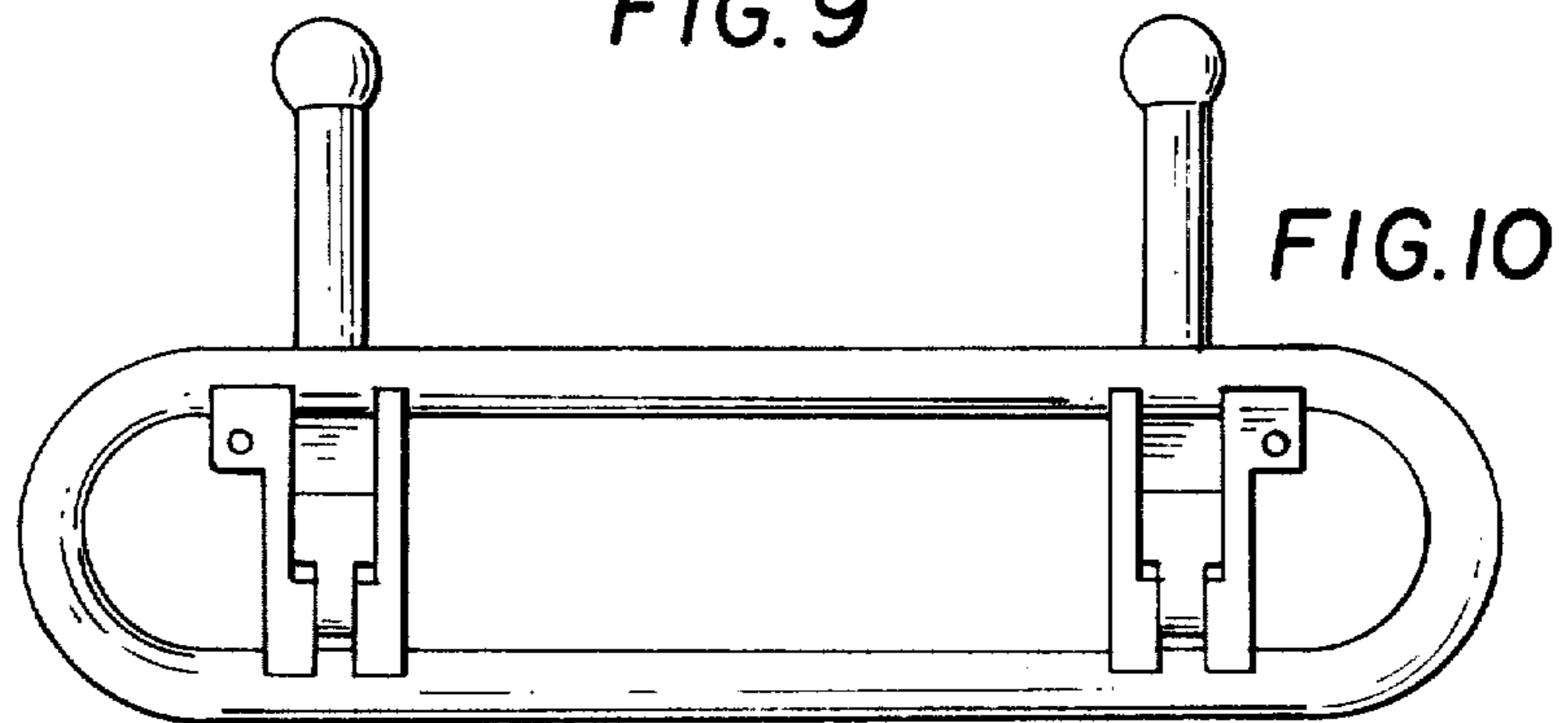
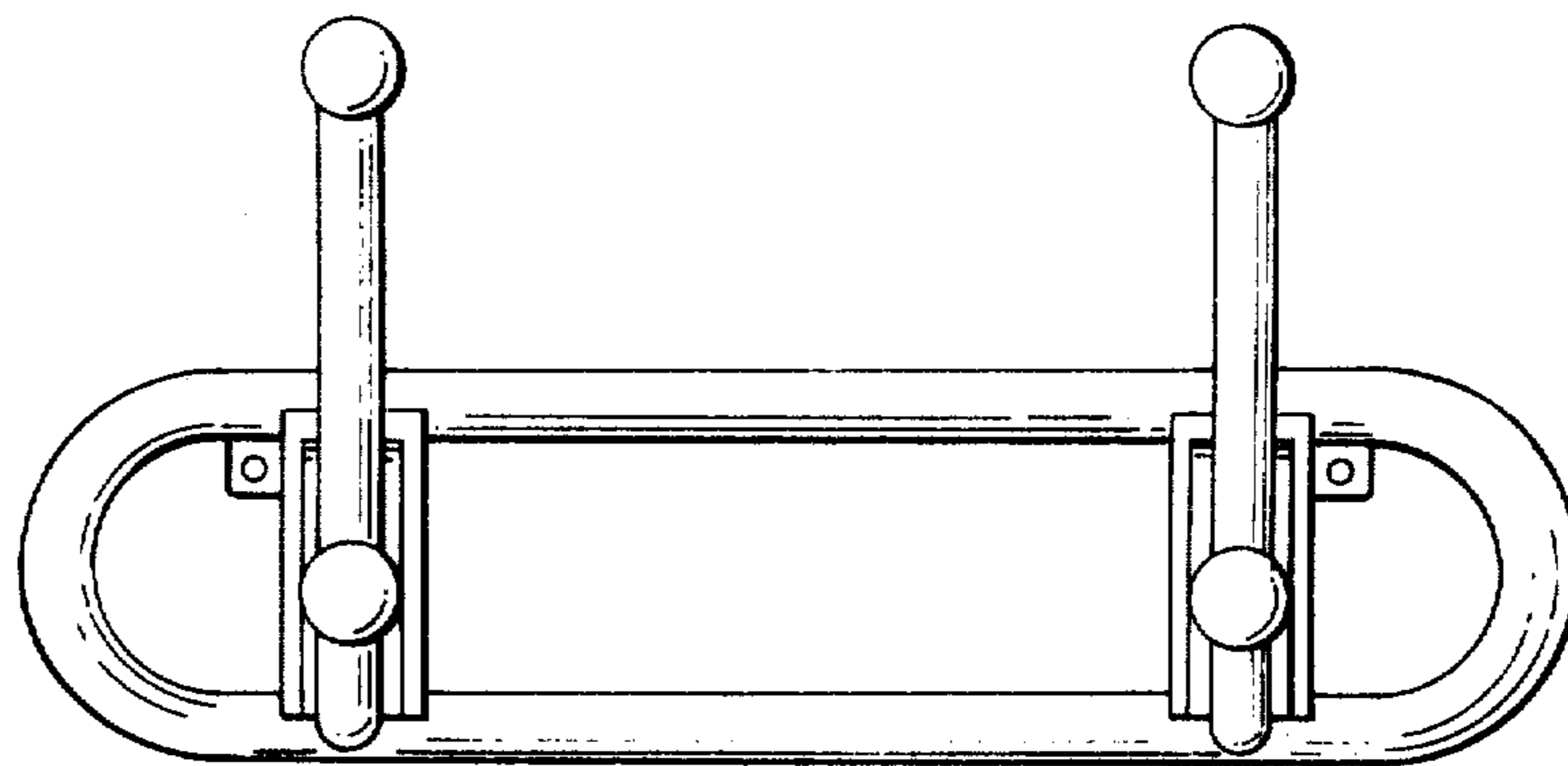
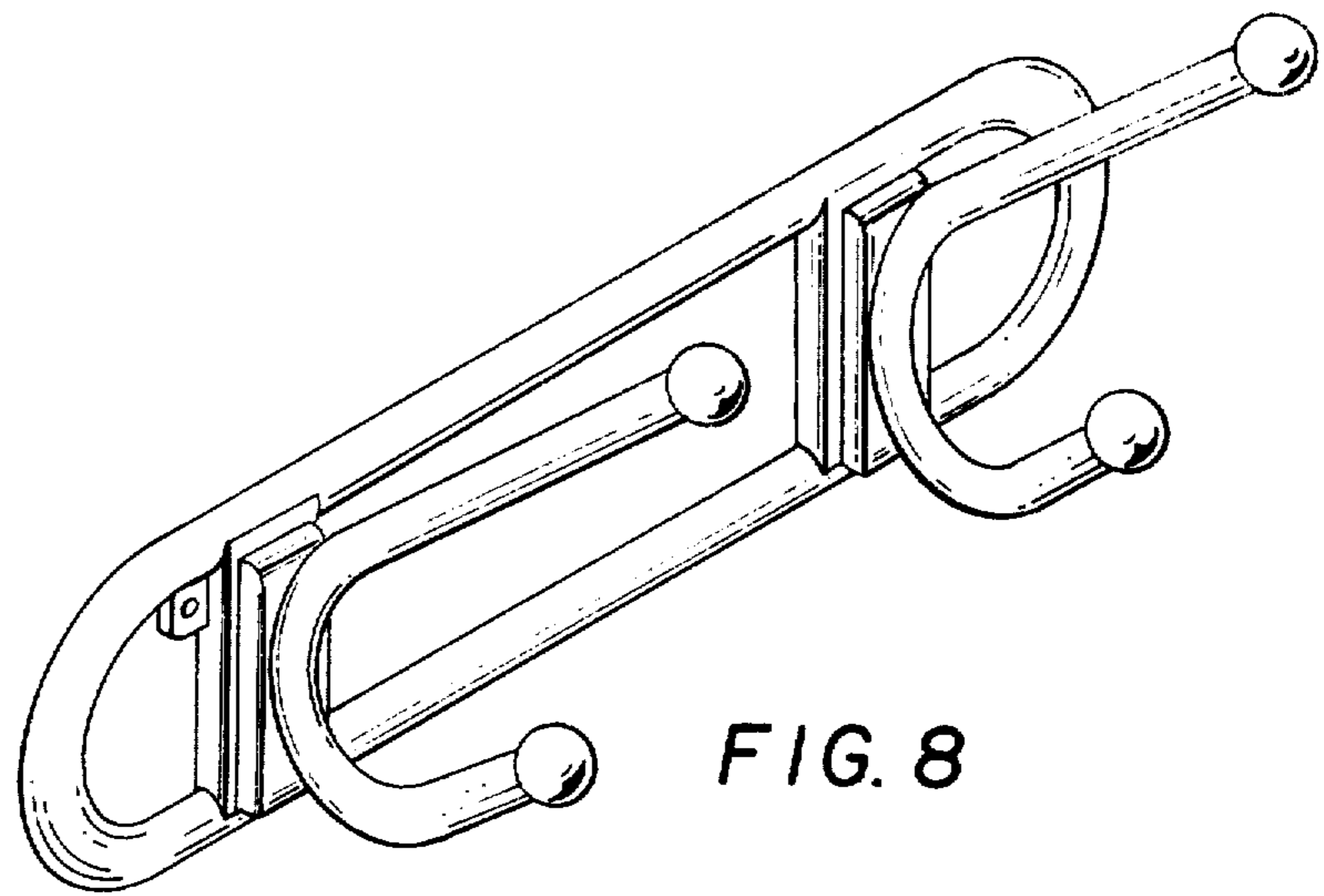


FIG. 7



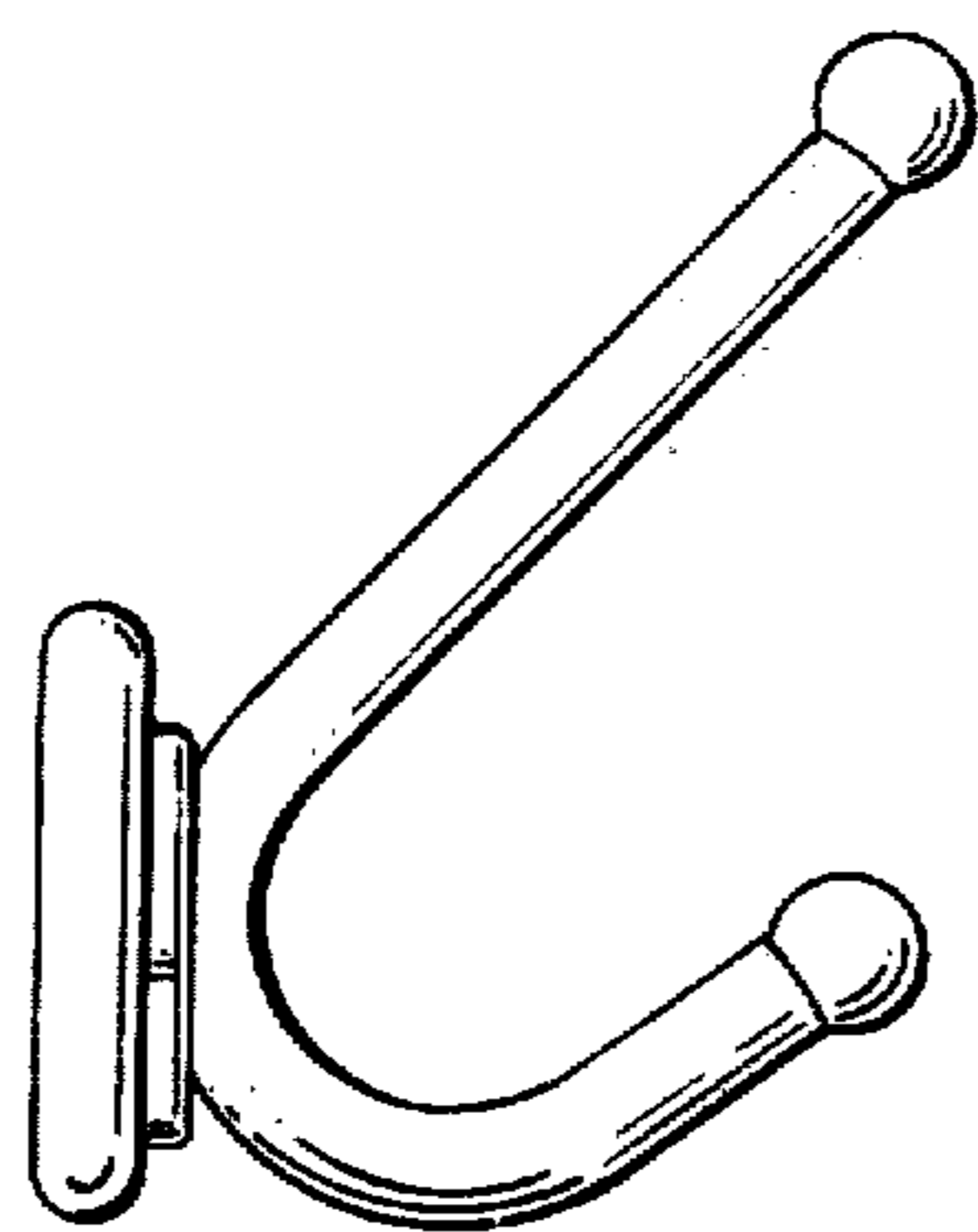


FIG. 11

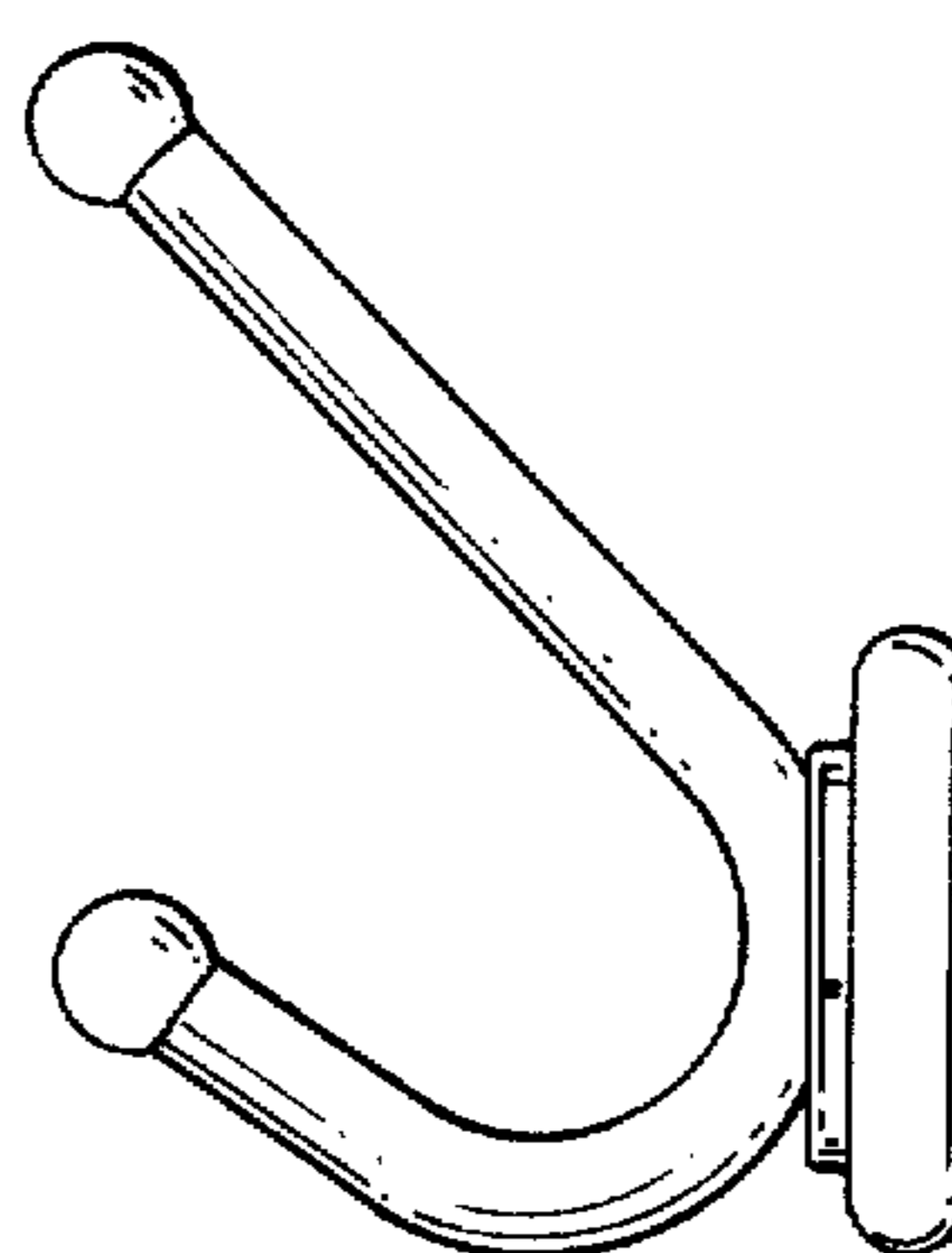


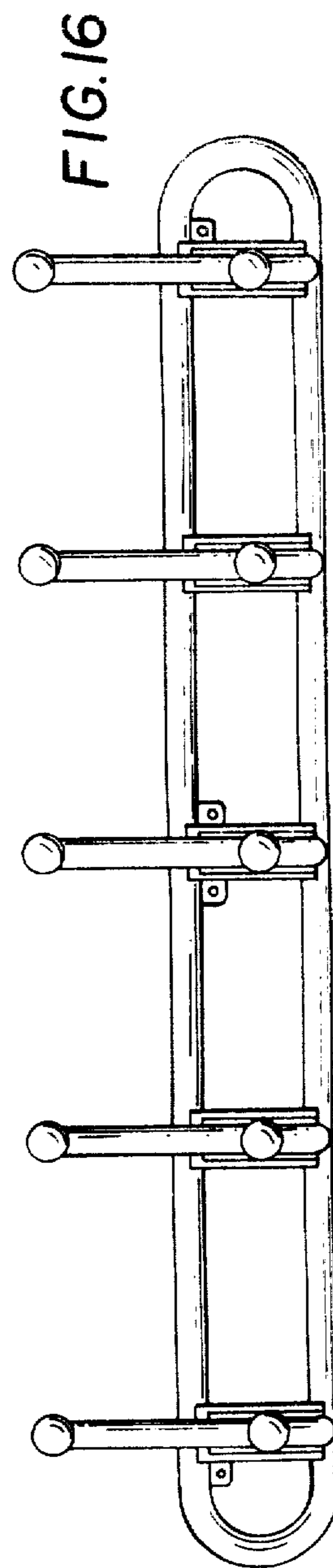
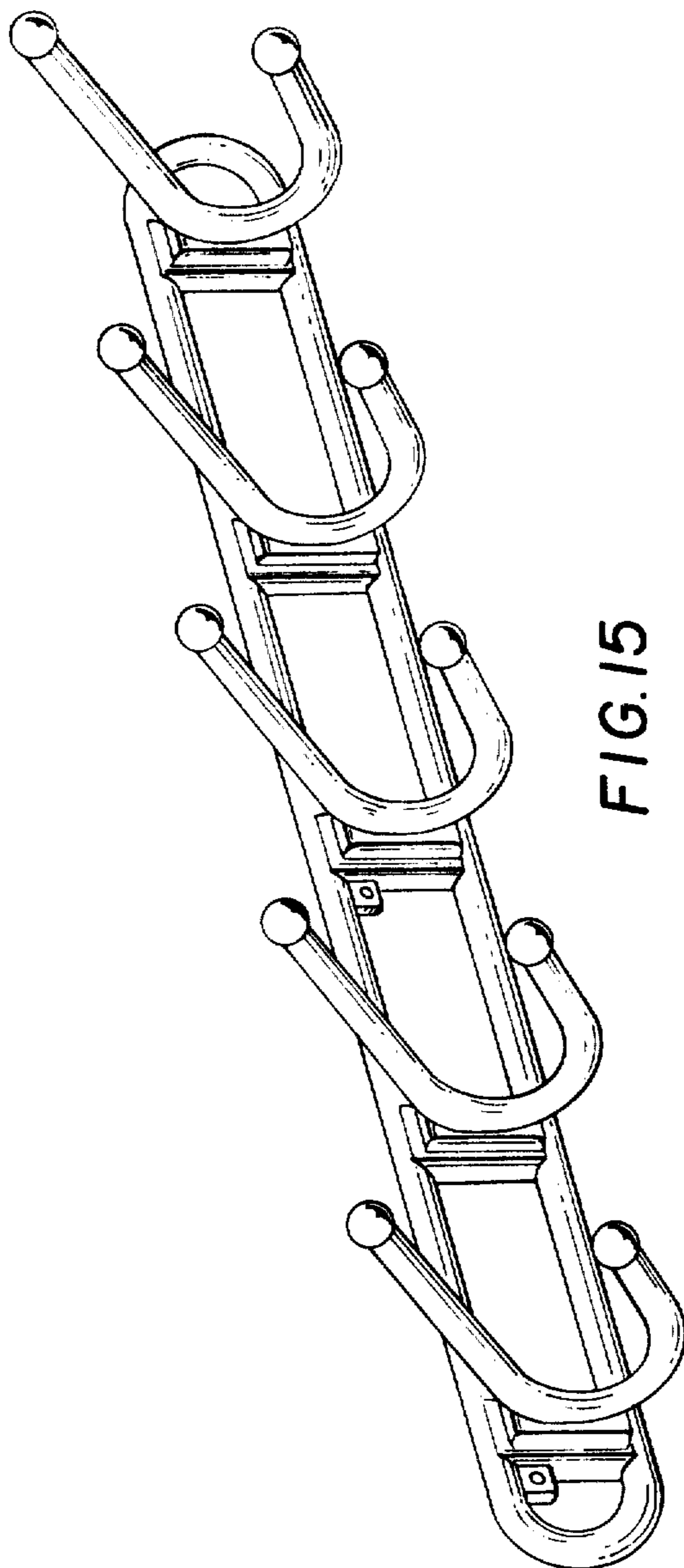
FIG. 12



FIG. 13



FIG. 14



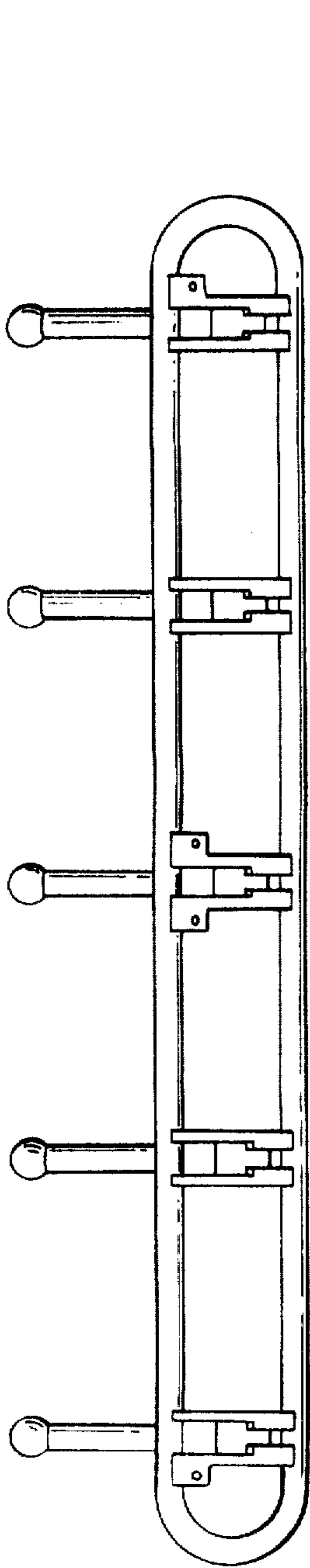


FIG. 17

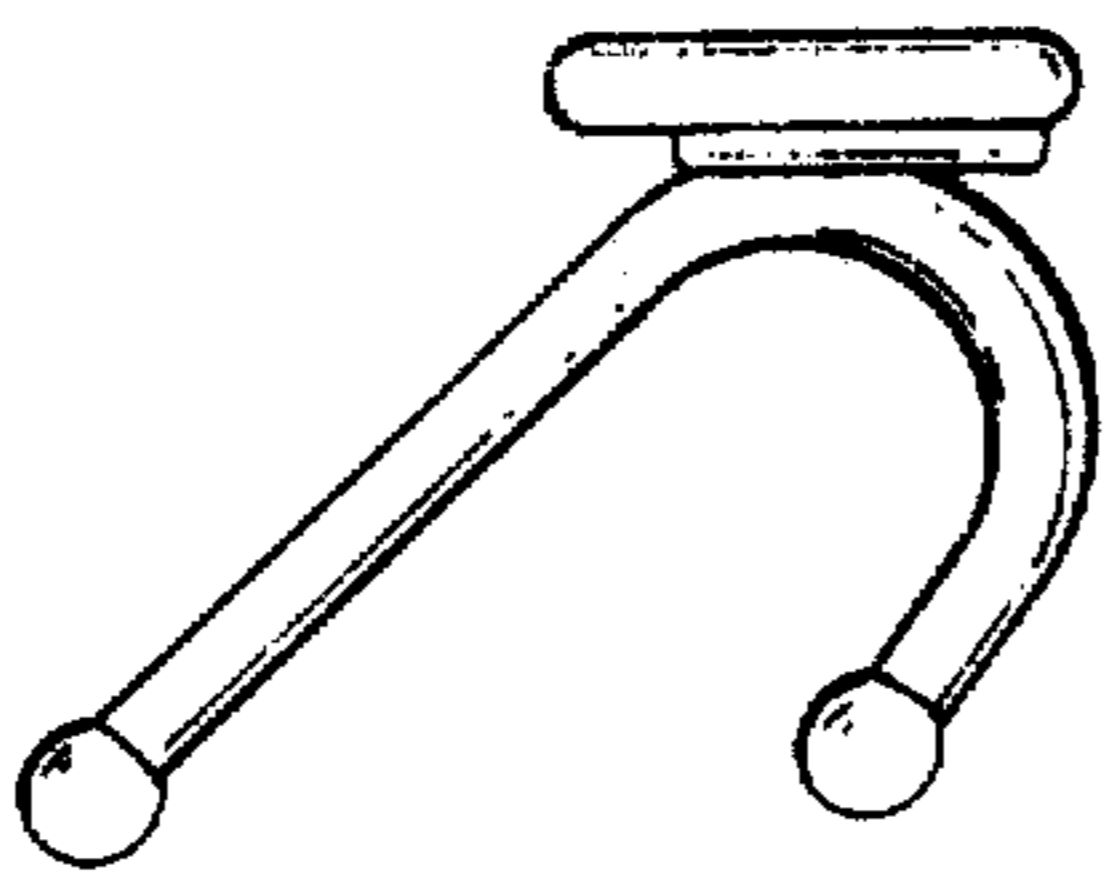


FIG. 18

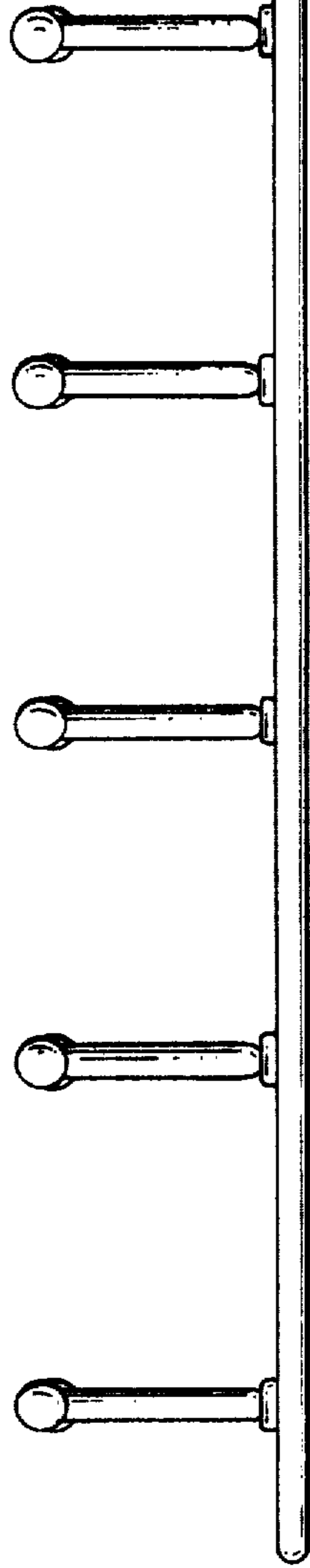


FIG. 19

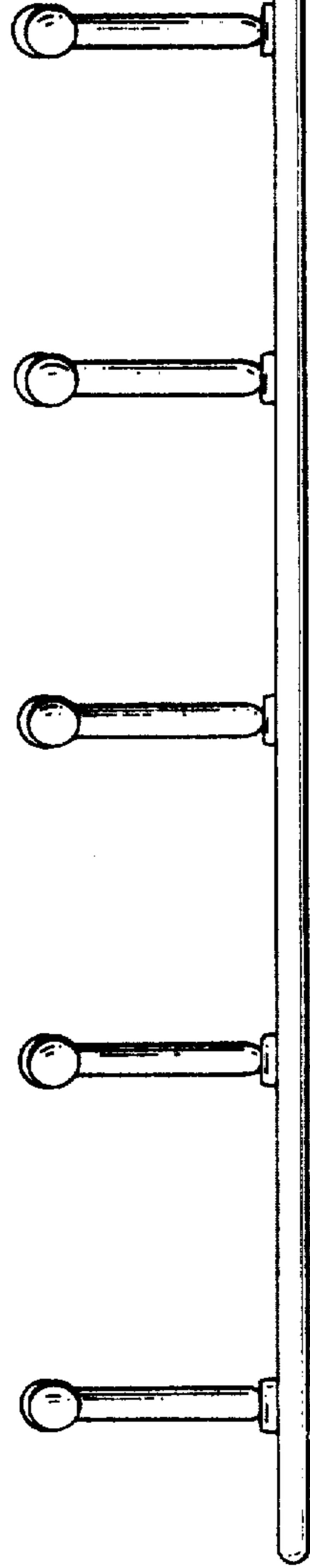


FIG. 20

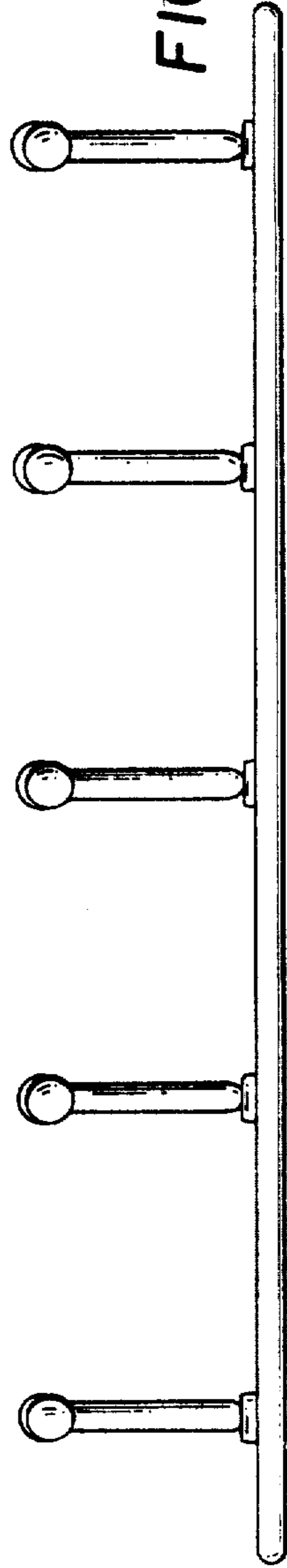


FIG. 21