

[54] CHAIR

[75] Inventor: Robert DeFuccio, Spinnerstown, Pa.

[73] Assignee: Simmons Universal Corporation,
New York, N.Y.

[**] Term: 14 Years

[21] Appl. No.: 280,734

[22] Filed: Jul. 6, 1981

[51] Int. Cl. D6-01
[52] U.S. Cl. D6/73
[58] Field of Search D6/47-78

[56] References Cited

U.S. PATENT DOCUMENTS

D. 233,870 12/1974 Goldsmith D6/70 X
D. 235,496 6/1975 Noda et al. D6/70
D. 259,078 5/1981 Deconinek D6/73

OTHER PUBLICATIONS

Design Catalog, Sep. 1976, p. 24, "Yew Chair" top left.
Interiors, Sep. 1980, p. 73, Chair.

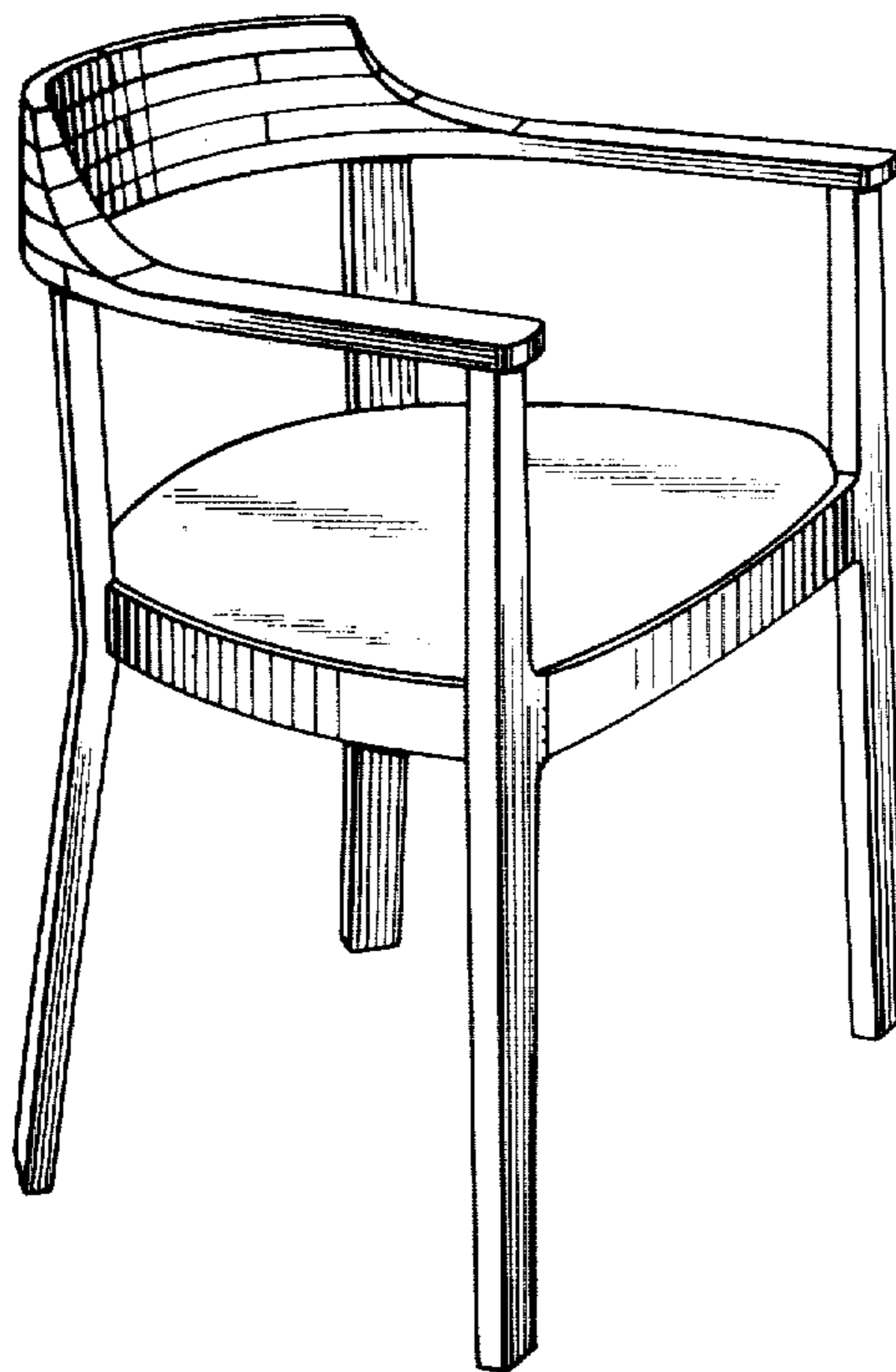
Primary Examiner—Bruce W. Dunkins

[57] CLAIM

The ornamental design for a chair, as shown.

DESCRIPTION

FIG. 1 is a side perspective view illustrating the chair of the present invention;
FIG. 2 is a front perspective view thereof;
FIG. 3 is a side perspective view thereof; and
FIG. 4 is a top view thereof.



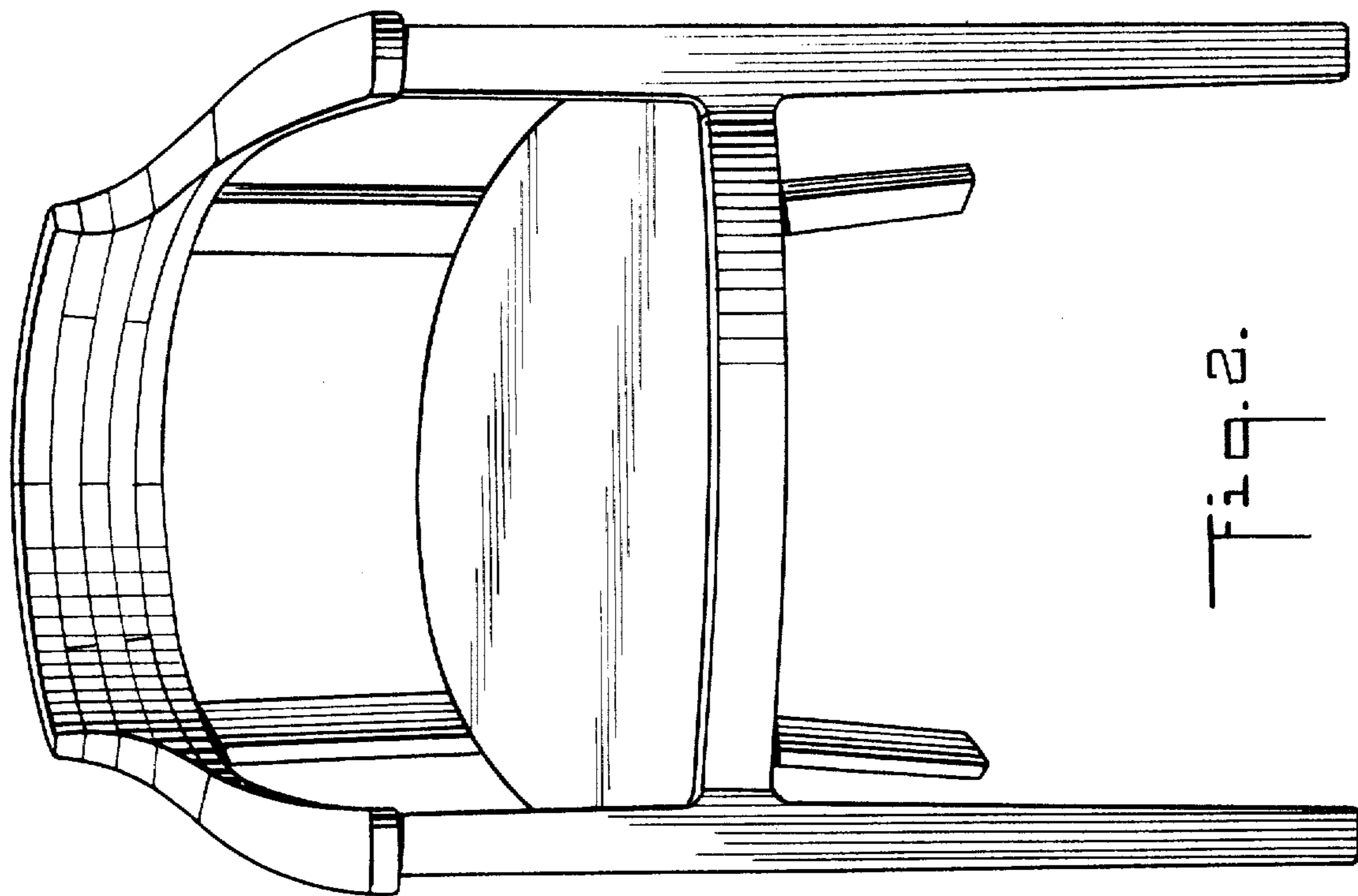


Fig. 2.

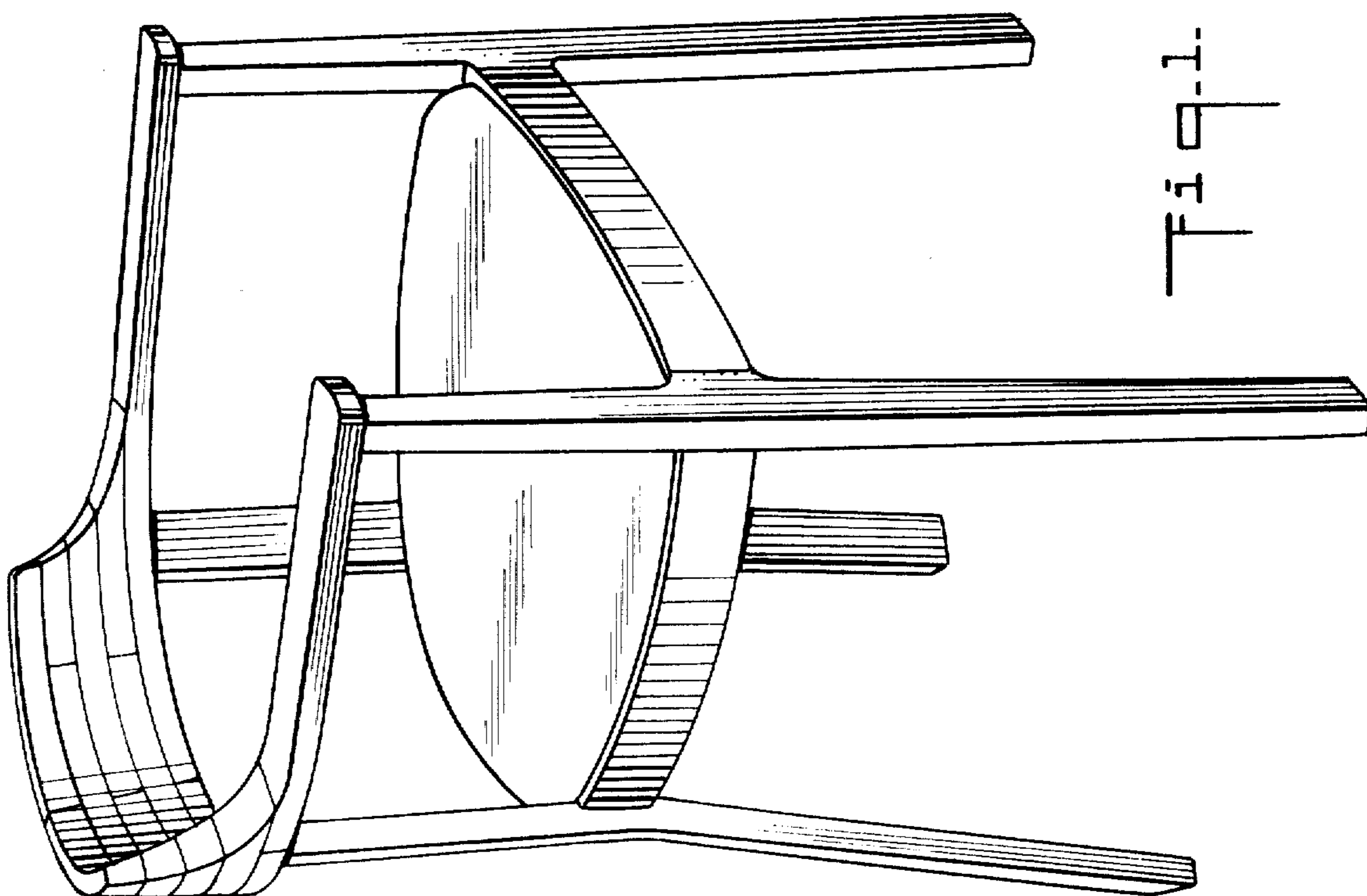


Fig. 1.

Fig. 3.

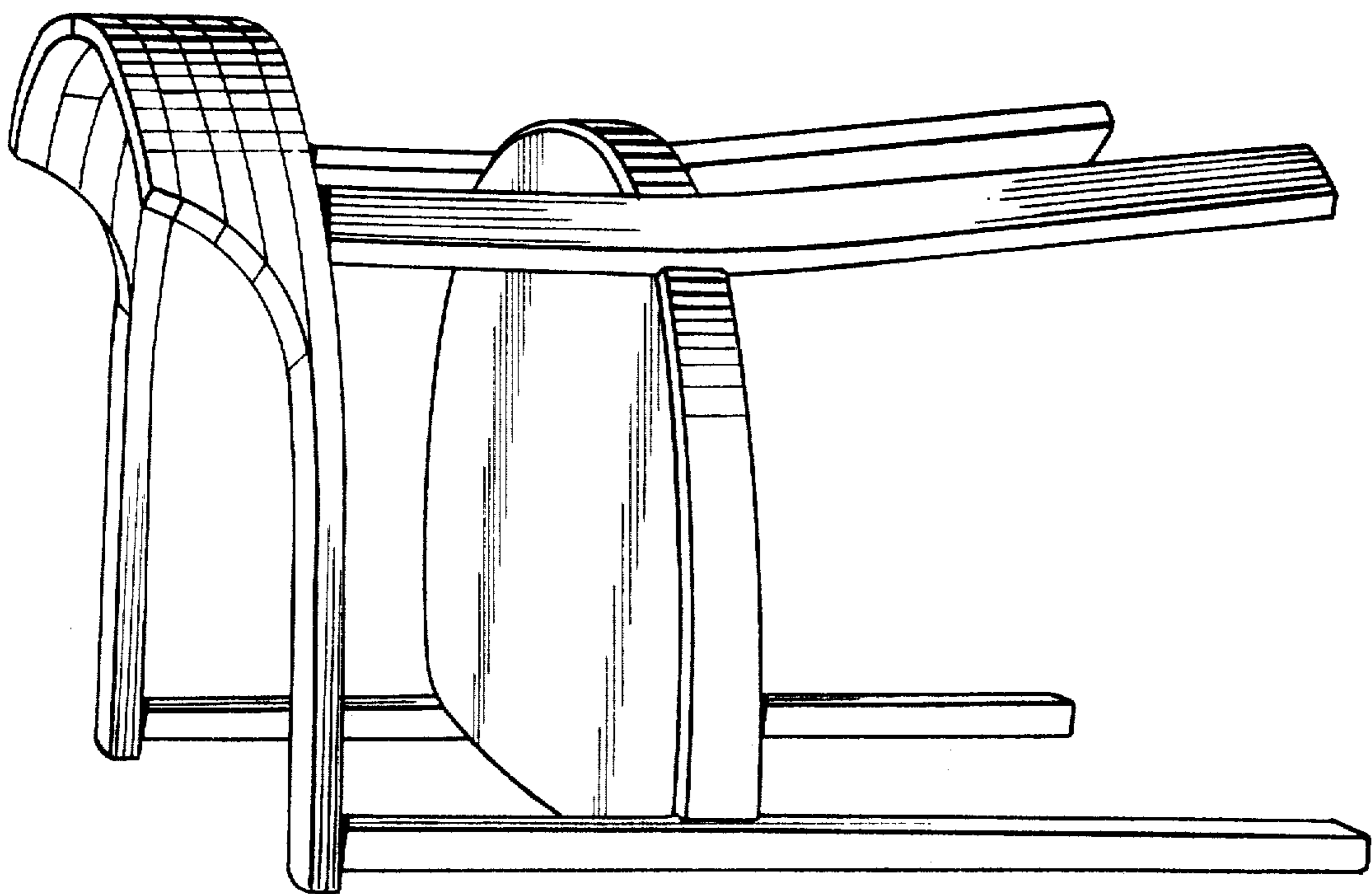


Fig. 4.

