

[54] **COMBINED SNACK TRAY AND LITTER BASKET FOR AN AUTOMOBILE**

D. 264,525 5/1982 Page D3/40
3,561,589 2/1971 Larkin, Jr. et al. D3/40

[76] Inventor: **Gary L. Rockwell**, 205 Willowcrest Way, LaGrange, Ga. 30240

Primary Examiner—George P. Word
Attorney, Agent, or Firm—Hubbell, Cohen, Stiefel & Gross

[**] Term: **14 Years**

[57] **CLAIM**

[21] Appl. No.: **348,263**

The ornamental design for a combined snack tray and litter basket for an automobile, as shown and described.

[22] Filed: **Feb. 12, 1982**

DESCRIPTION

[51] Int. Cl. **D12-16**

FIG. 1 is a perspective view of a combined snack tray and litter basket for an automobile showing my new design;

[52] U.S. Cl. **D3/40; D3/74**

FIG. 2 is a right side elevational view, the opposite side being a mirror image thereof;

[58] Field of Search D3/30.1, 40, 74;
D12/155; 224/275; D7/38

FIG. 3 is a top plan view;

[56] **References Cited**

U.S. PATENT DOCUMENTS

D. 199,993 1/1965 Cohen D3/40
D. 232,870 9/1974 Fry D3/40

FIG. 4 is a front elevational view thereof;

FIG. 5 is a rear elevational view thereof; and

FIG. 6 is a bottom plan view thereof.

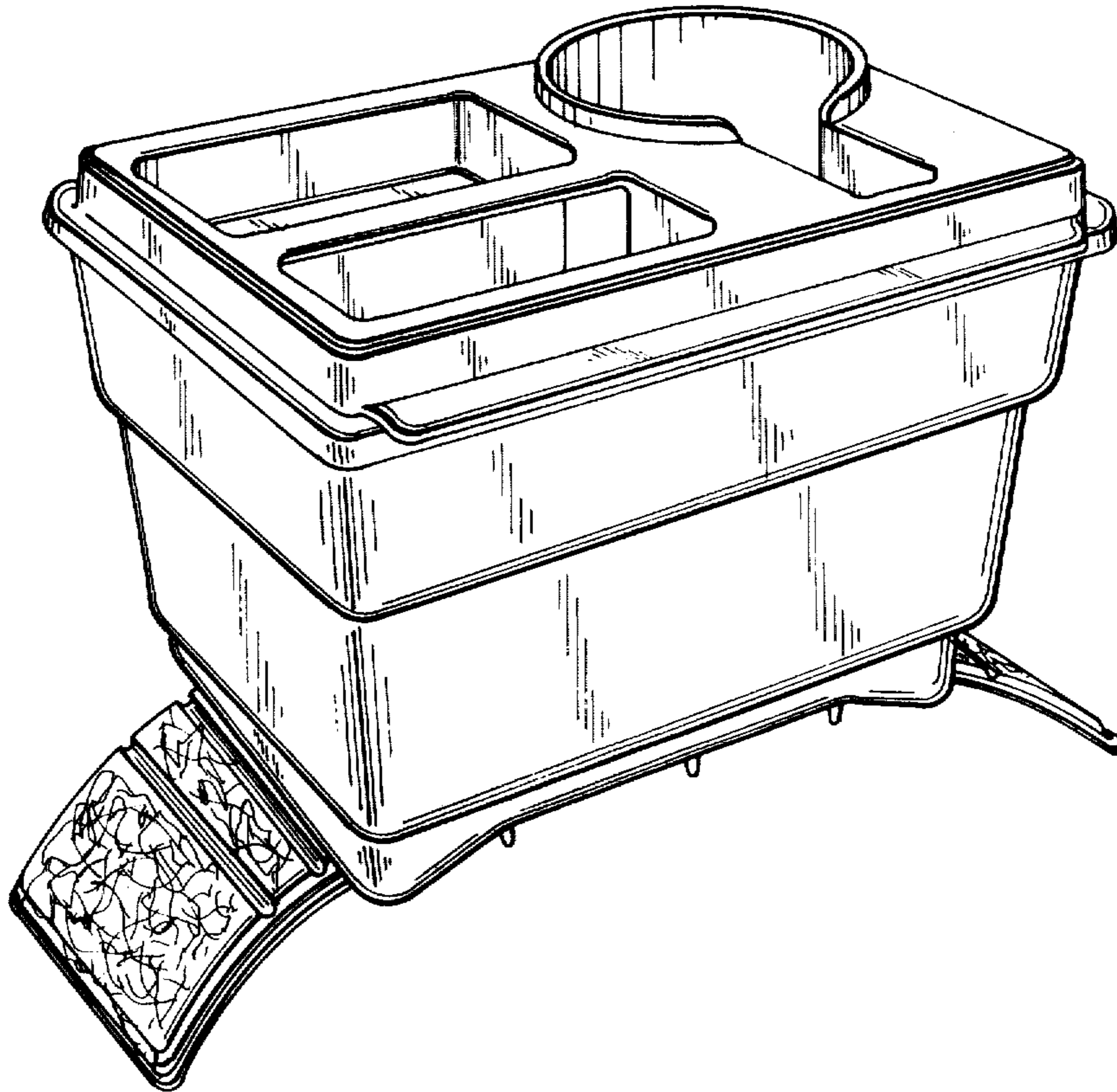


FIG. 1

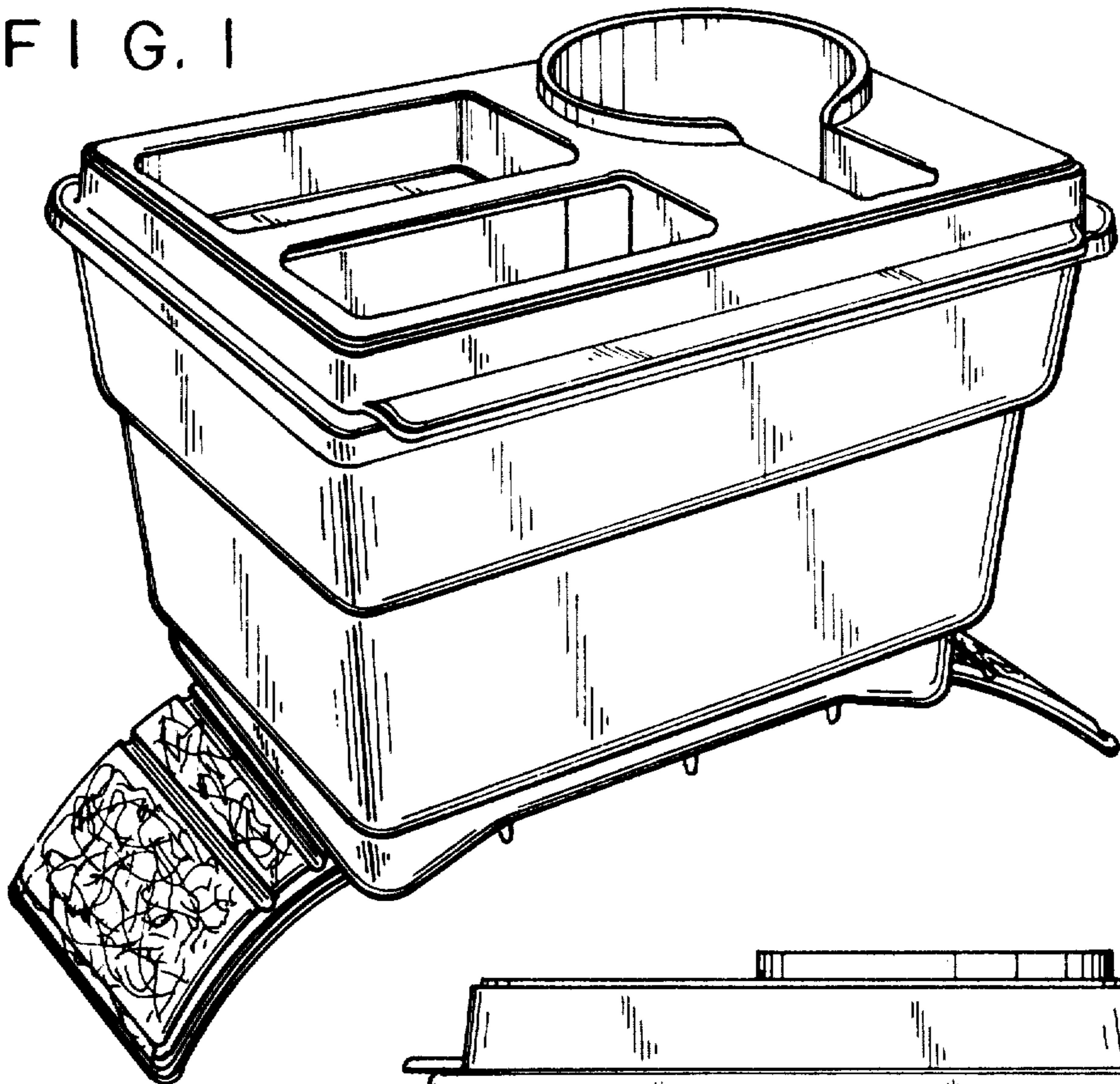


FIG. 2

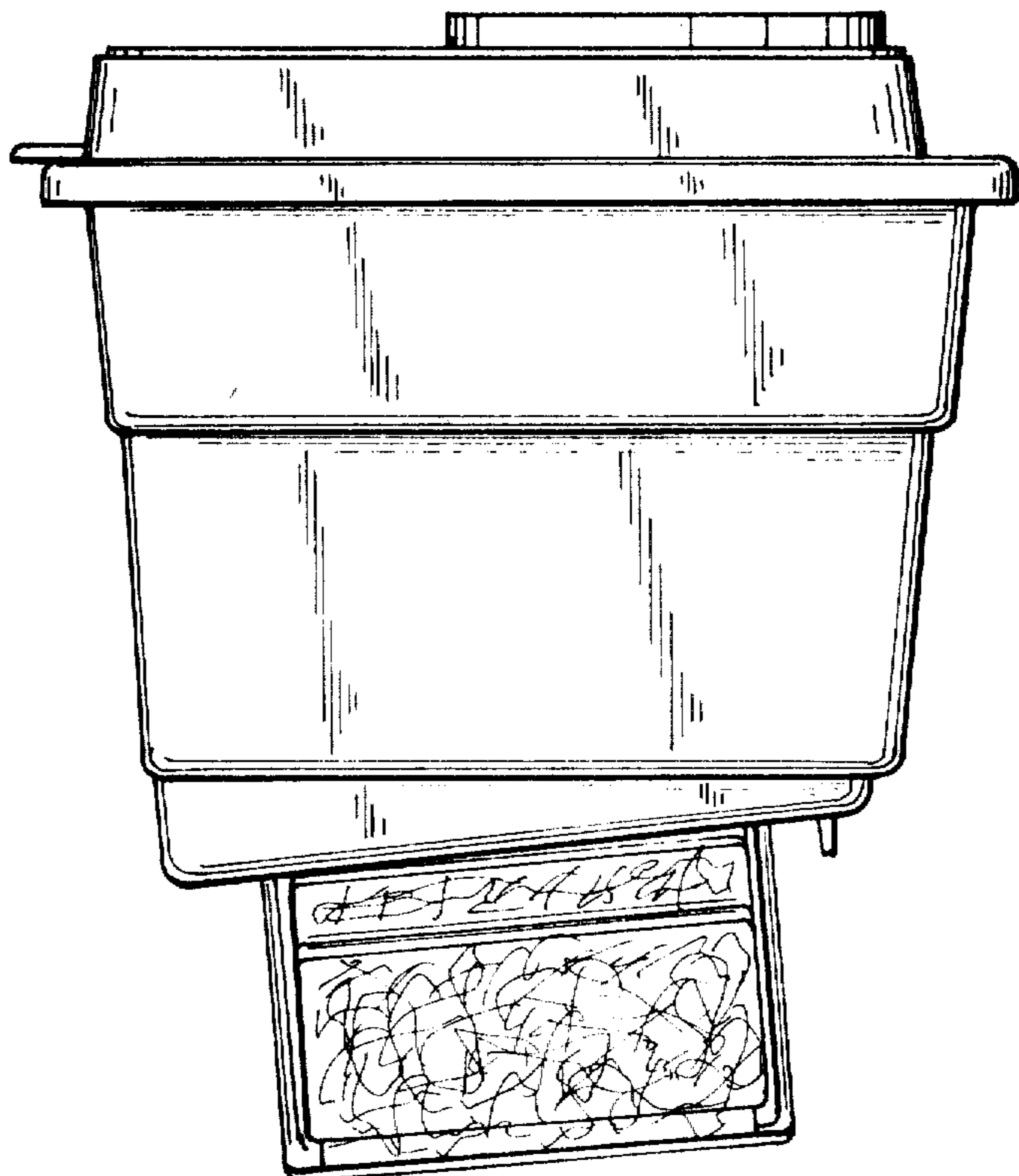


FIG. 3

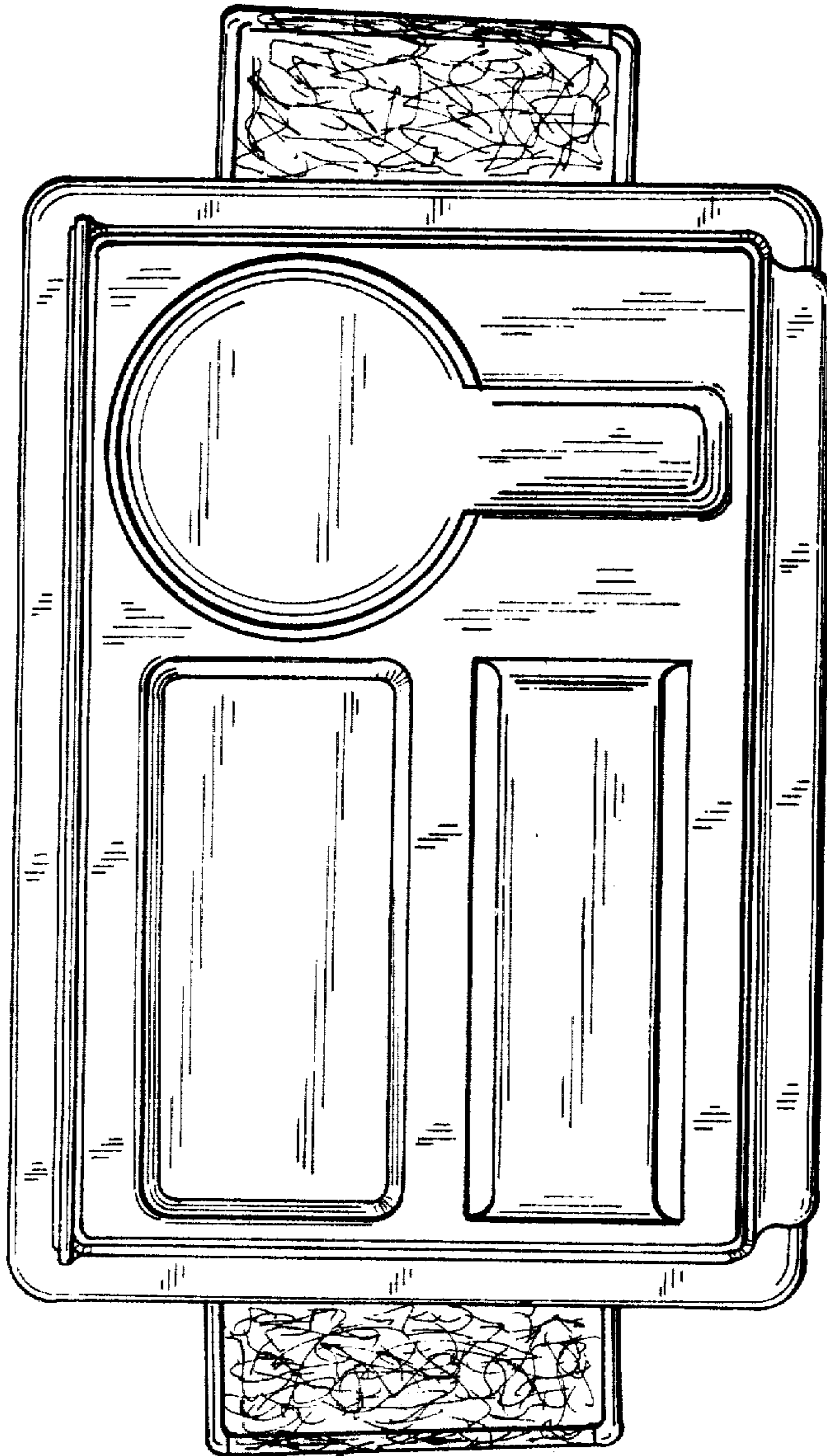


FIG. 4

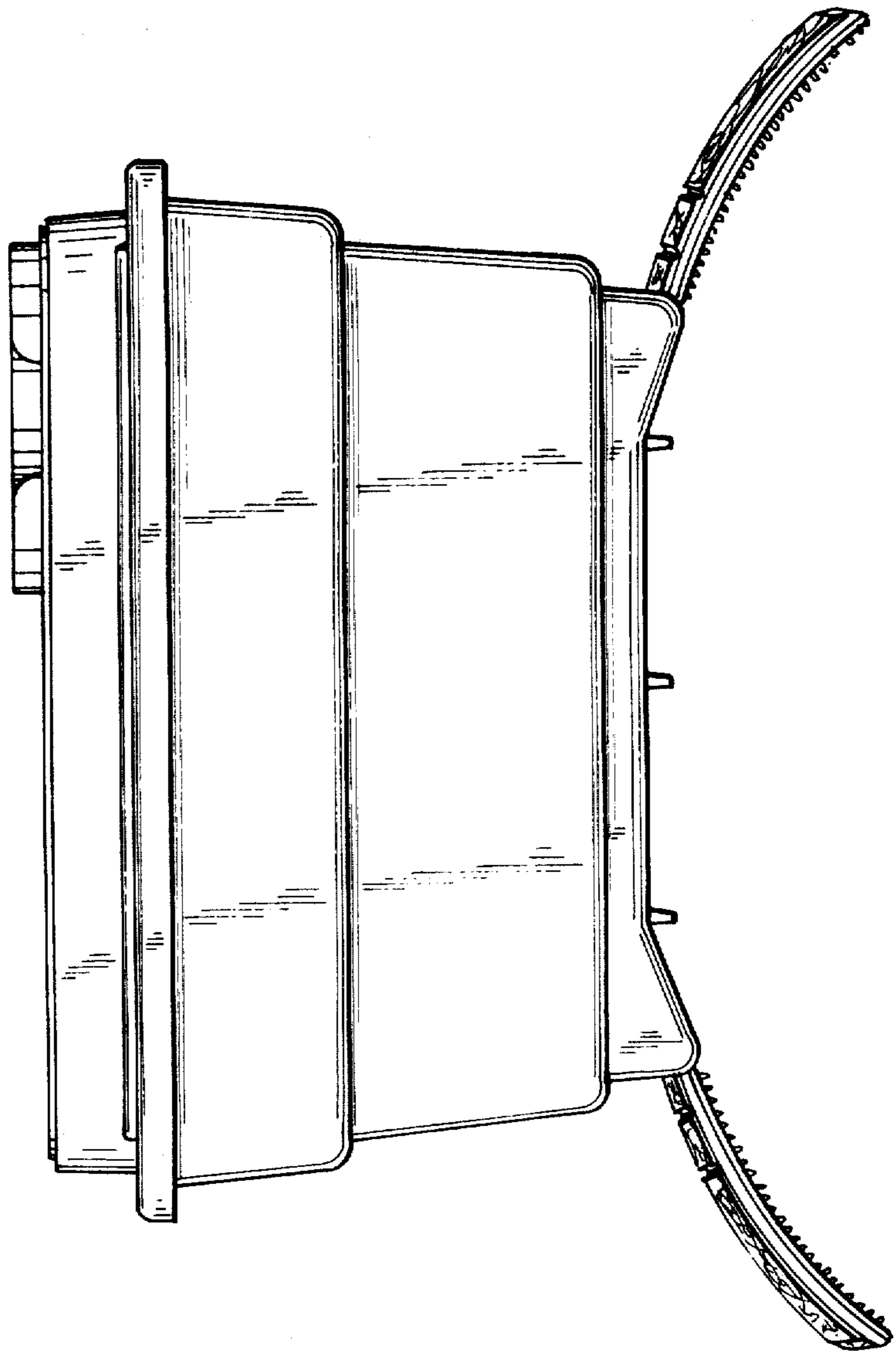


FIG. 5

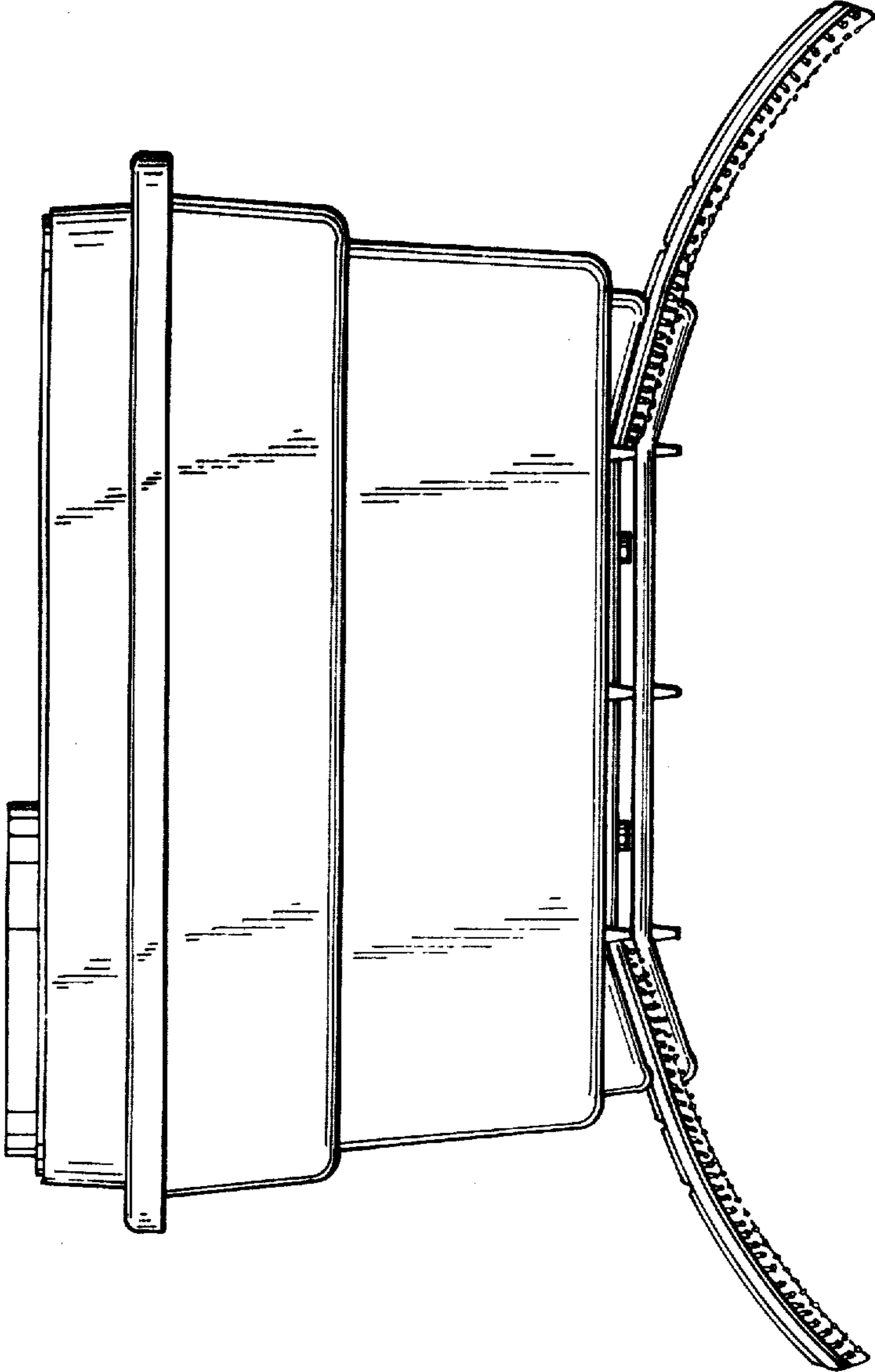


FIG. 6

