

[54] TWO COLOR CHEWING GUM

[75] Inventor: **Robert J. Huzinec**, Brooklyn, N.Y.

[73] Assignee: **Warner-Lambert Co.**, Morris Plains, N.J.

[**] Term: **14 Years**

[21] Appl. No.: **215,963**

[22] Filed: **Dec. 12, 1980**

[51] Int. Cl. **D01-01**

[52] U.S. Cl. **D1/12**

[58] Field of Search D1/1, 2, 12, 15, 21, D1/23, 24, 99; 426/87, 383, 249, 89, 91, 92, 101, 103, 104, 3, 4, 5, 6, 660; D21/108; D9/432, 433, 423; D28/2, 3

1,072,338 9/1913 Lehman 426/104

1,429,405 9/1922 Carter et al. 426/249

1,855,145 4/1932 Jones 426/87

2,874,649 2/1959 Pelletier 426/249

2,973,273 2/1961 Curtiss 426/5

Primary Examiner—Joel Stearman
Assistant Examiner—Carmen H. Vales
Attorney, Agent, or Firm—Daniel A. Scola, Jr.; Gary M. Nath

[57] CLAIM

The ornamental design for a two color chewing gum, substantially as shown and described.

DESCRIPTION

FIG. 1 is a front perspective view of a two color chewing gum showing my new design, the rear perspective view being identical;

FIG. 2 is a sectional view taken along line 2—2 of FIG. 1; and

FIG. 3 is a sectional view taken along line 3—3 of FIG. 1.

The bottom view of my new design is identical to the top view shown in perspective in FIG. 1.

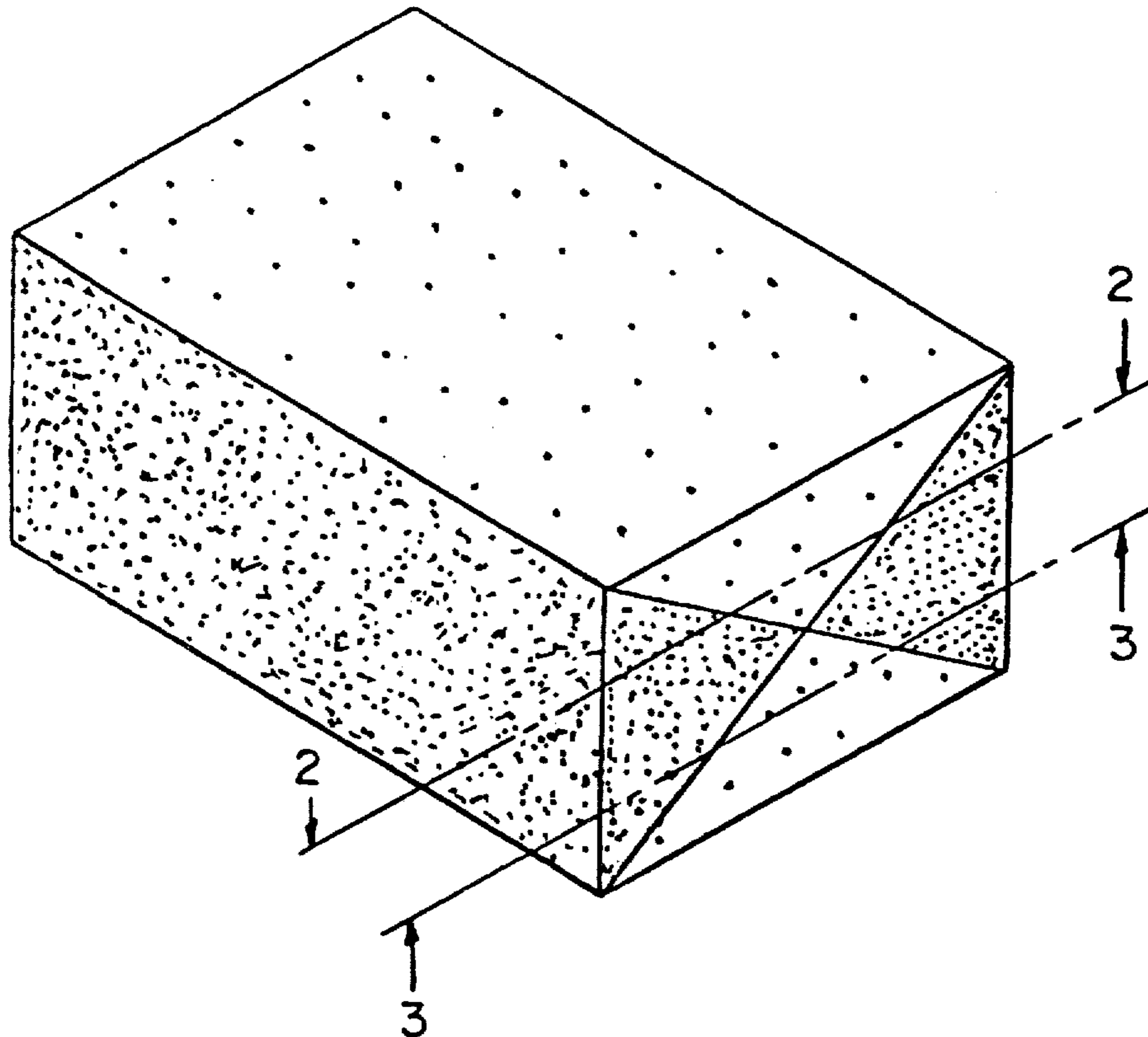
[56] References Cited

U.S. PATENT DOCUMENTS

D. 76,992 11/1928 Fawcett D9/432

D. 87,781 9/1932 Hauck D9/432

692,323 2/1902 Marine 426/249



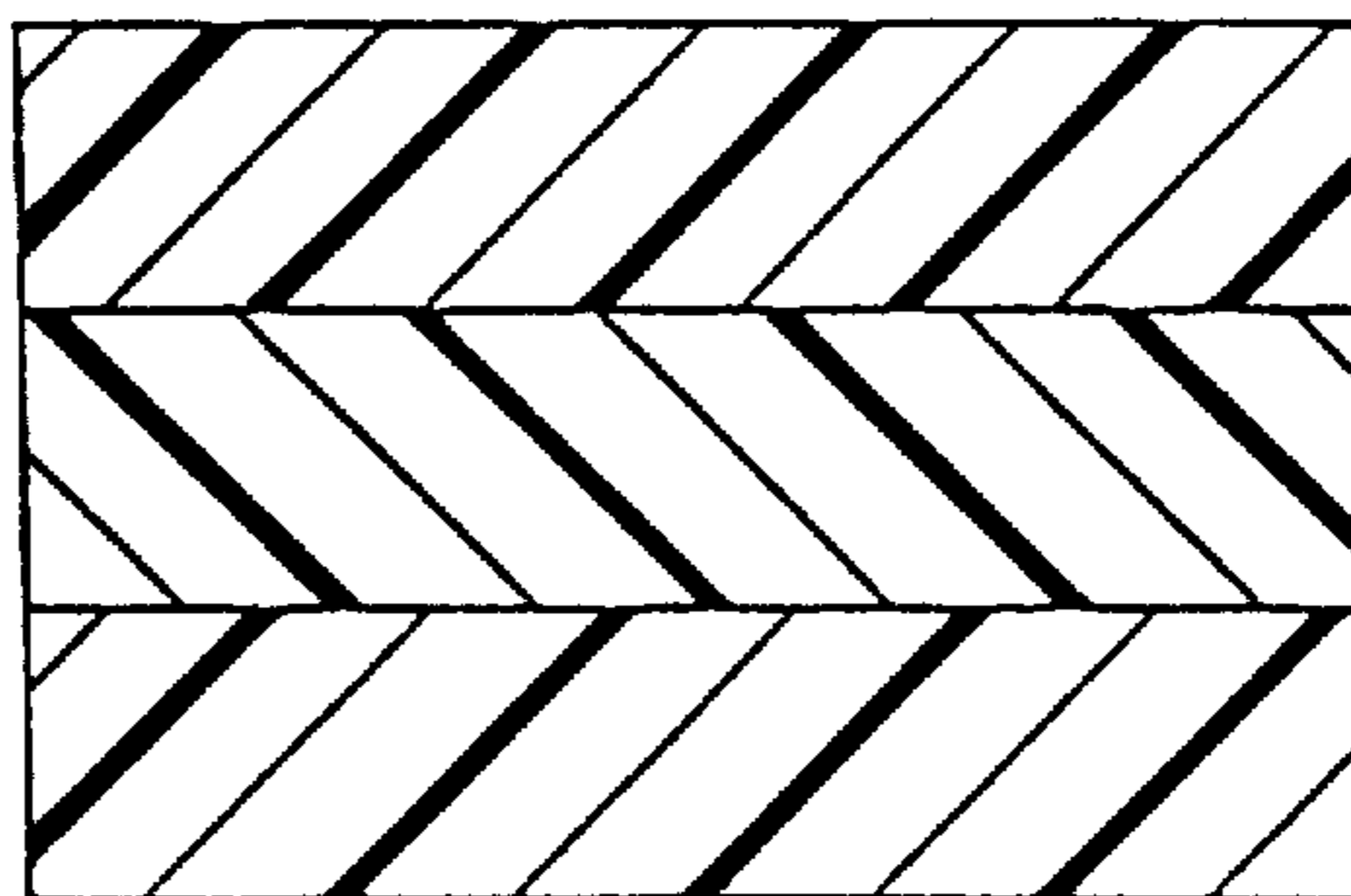
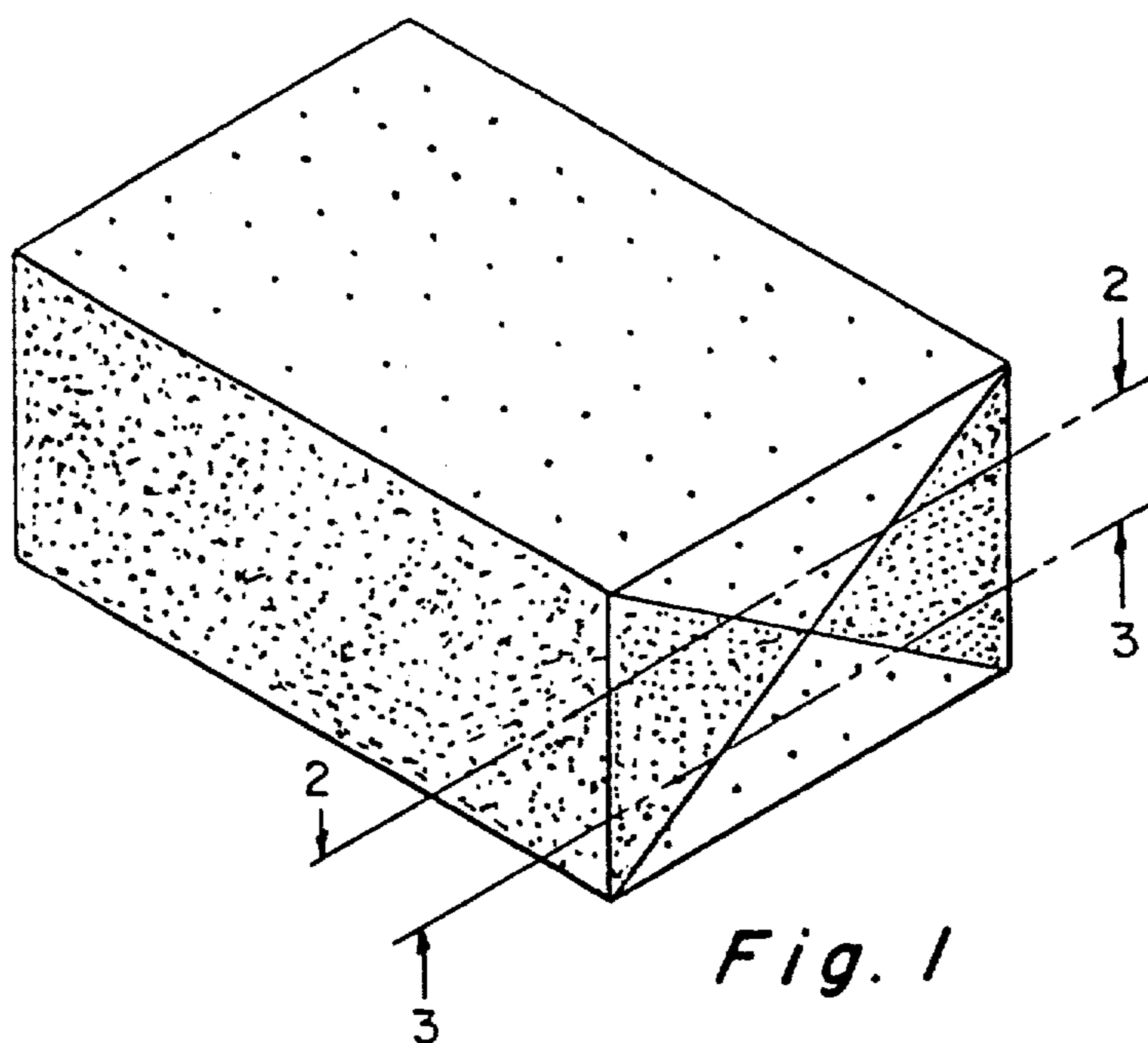


Fig. 2

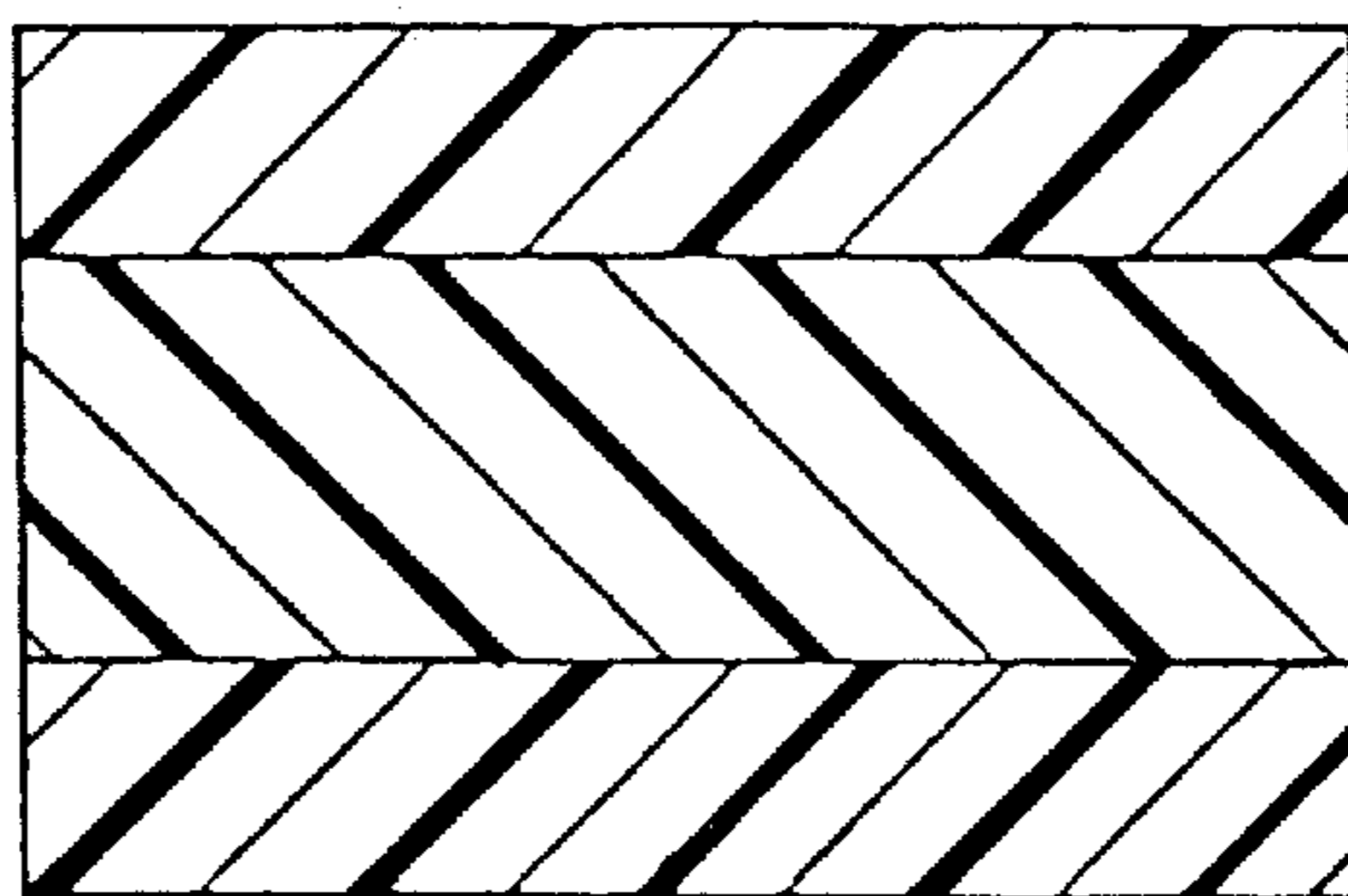


Fig. 3