

[54] **TWO COLOR CHEWING GUM**
 [75] Inventor: **Robert J. Huzinec**, Brooklyn, N.Y.
 [73] Assignee: **Warner-Lambert Company**, Morris Plains, N.J.
 [**] Term: **14 Years**
 [21] Appl. No.: **215,962**
 [22] Filed: **Dec. 12, 1980**

692,323	2/1902	Marine	426/249
1,072,338	9/1913	Lehman	426/104
1,429,405	9/1922	Carter et al.	426/249
2,874,649	2/1959	Pelletier	426/249
2,973,273	2/1961	Curtiss	426/5

Primary Examiner—Joel Stearman
Assistant Examiner—Carmen H. Vales
Attorney, Agent, or Firm—Daniel A. Scola, Jr.; Gary M. Nath

[51] **Int. Cl.** **D01-01**
 [52] **U.S. Cl.** **D1/12**
 [58] **Field of Search** **D1/1, 2, 12, 15, 21, D1/23, 24, 99; 426/5, 104, 249, 87, 383, 89, 92, 91, 101, 103, 3, 4, 6, 660; D21/108; D9/432, 433, 423; D28/2, 3**

[57] **CLAIM**

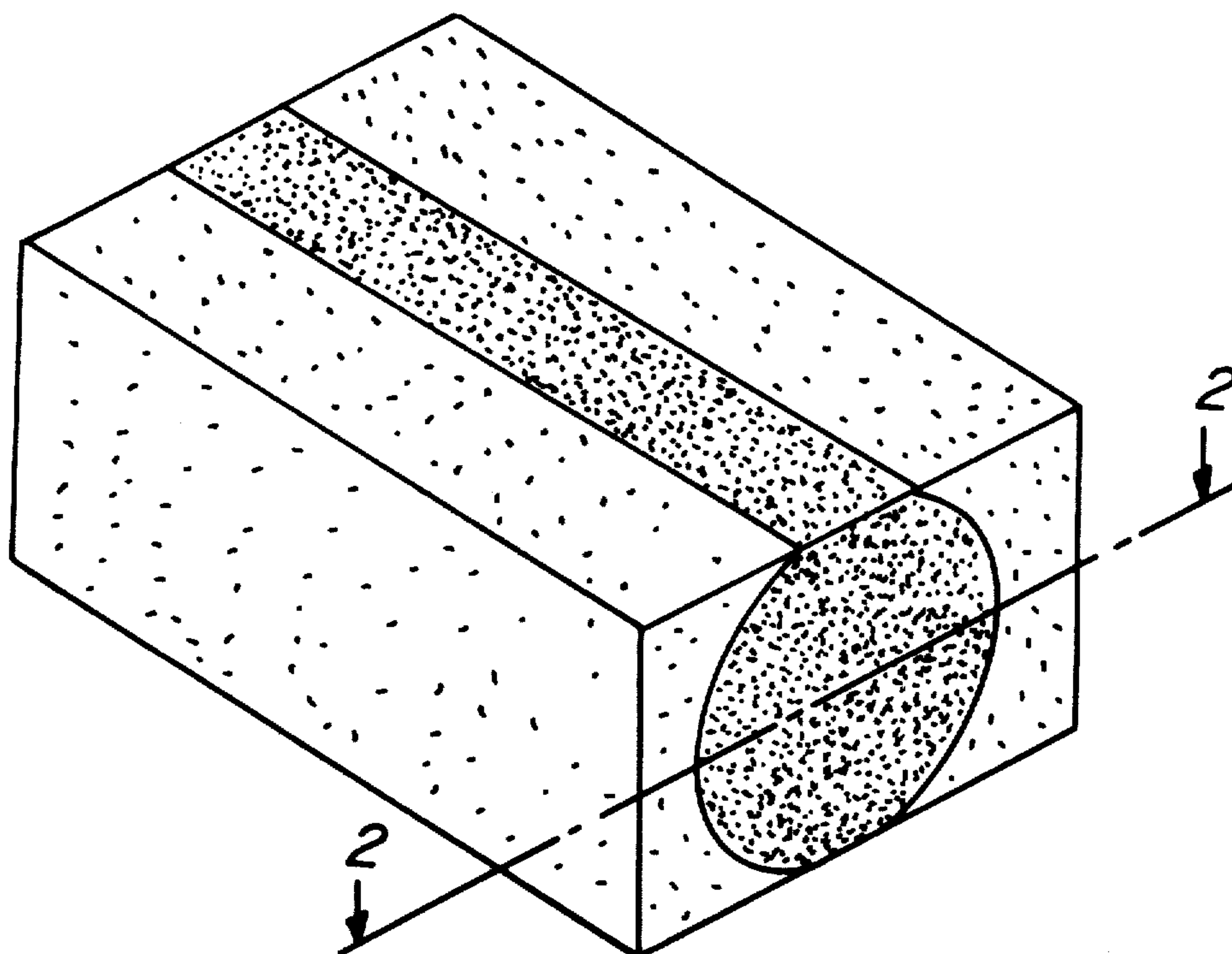
The ornamental design for a two color chewing gum, substantially as shown and described.

DESCRIPTION

FIG. 1 is a front perspective view of a two color chewing gum showing my new design, the rear perspective view being identical; and FIG. 2 is a sectional view taken along line 2—2 of FIG. 1.

[56] **References Cited**
U.S. PATENT DOCUMENTS
 D. 87,781 9/1932 Hauck D9/432
 D. 161,423 1/1951 Claflin D21/108

The bottom view of my new design is identical to the top view shown in perspective in FIG. 1.



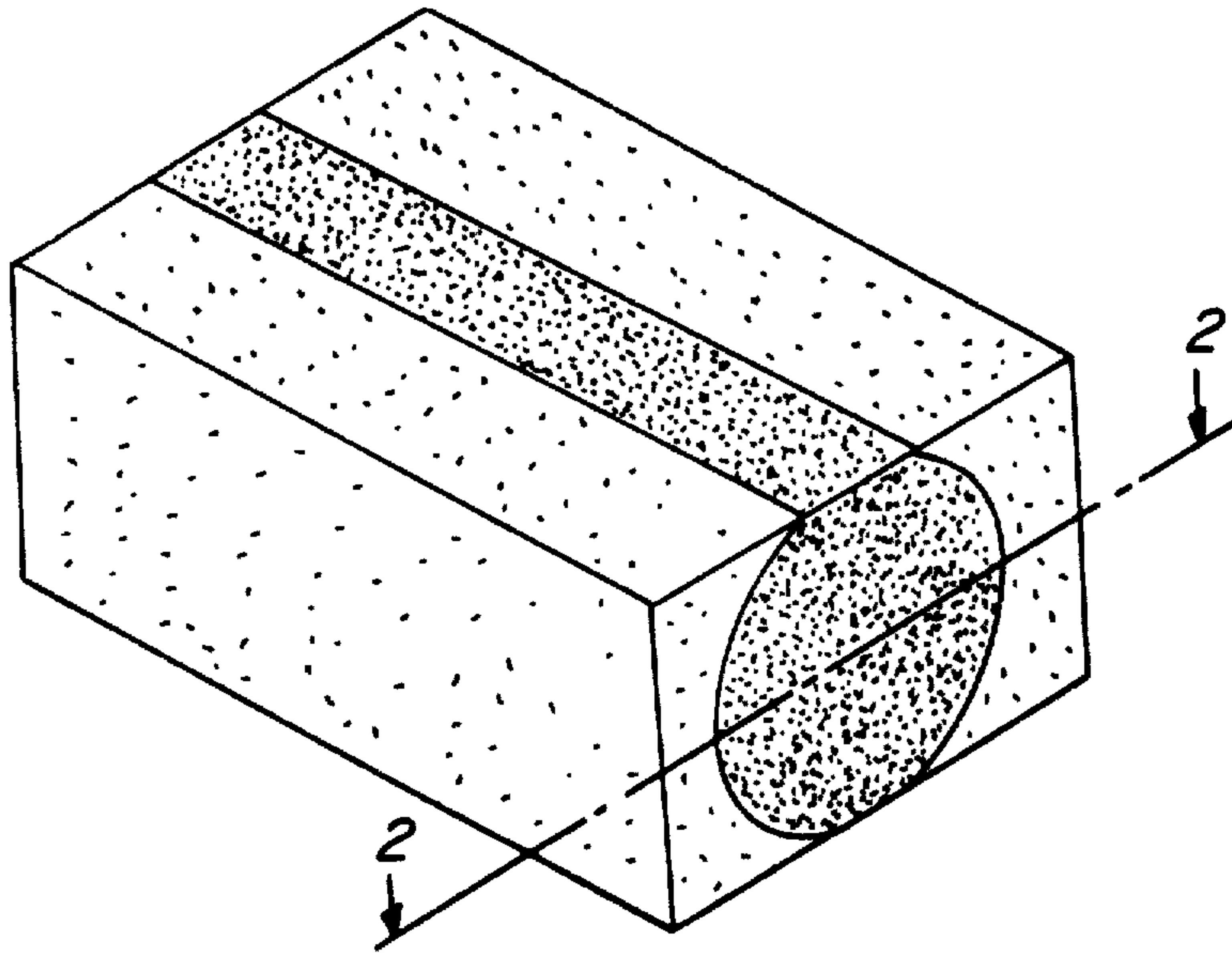


FIG. 1

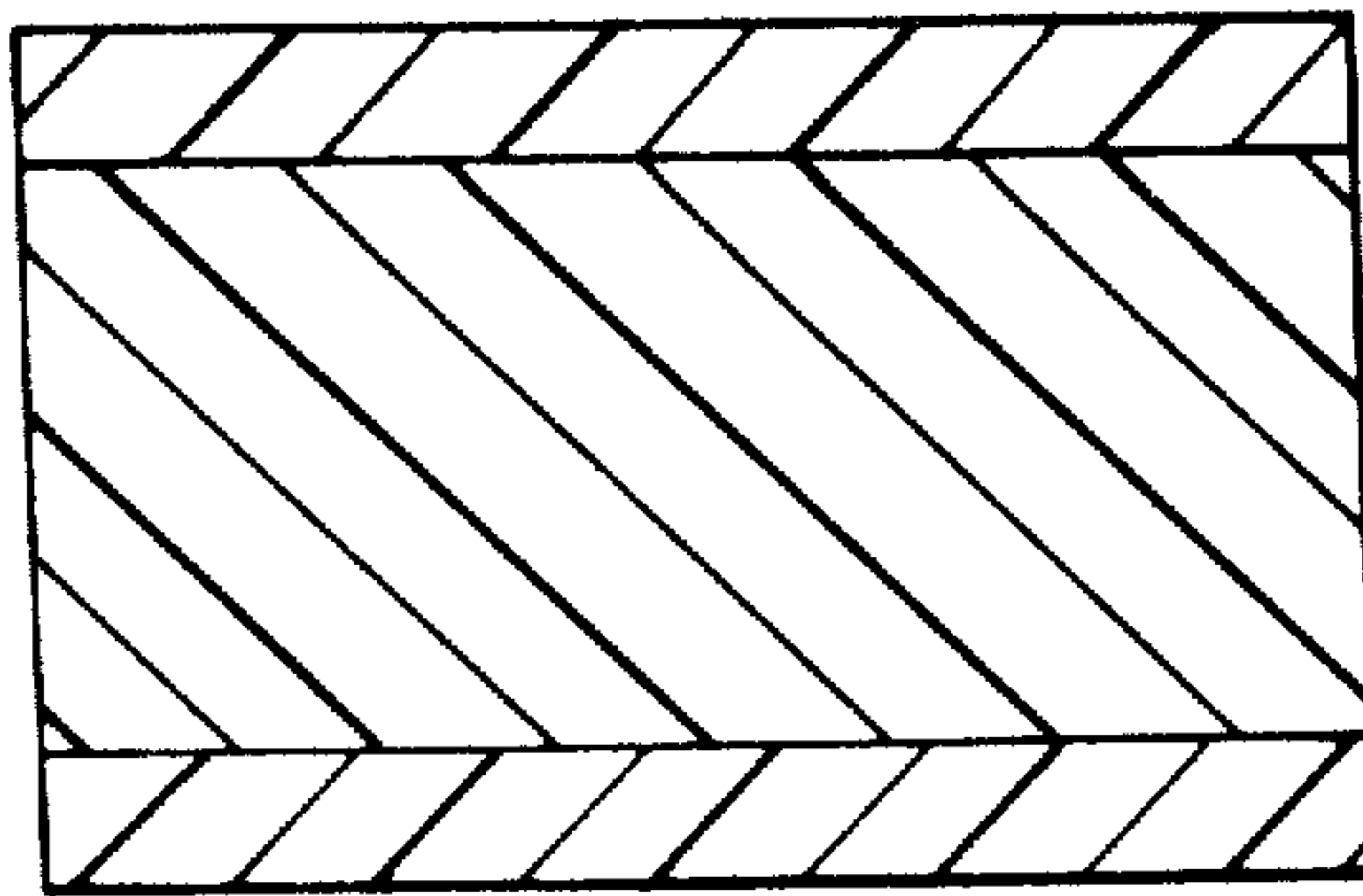


FIG. 2