

[54] LIGHTING FIXTURE

[75] Inventor: Terry L. Hershey, Valencia, Calif.

[73] Assignee: Mole-Richardson Co., Hollywood, Calif.

[**] Term: 14 Years

[21] Appl. No.: 207,282

[22] Filed: Nov. 17, 1980

[51] Int. Cl. D26-03

[52] U.S. Cl. D26/63

[58] Field of Search D26/24, 61, 63, 64, D26/65; 362/269, 282, 285, 287, 300, 296, 297, 418, 427, 217, 220, 223, 362

[56] References Cited

U.S. PATENT DOCUMENTS

- D. 243,760 3/1977 Devinney, Jr. D26/63
- 3,321,615 5/1967 Hilzen 362/217

Primary Examiner—Susan J. Lucas
Attorney, Agent, or Firm—Edward A. Sokolski

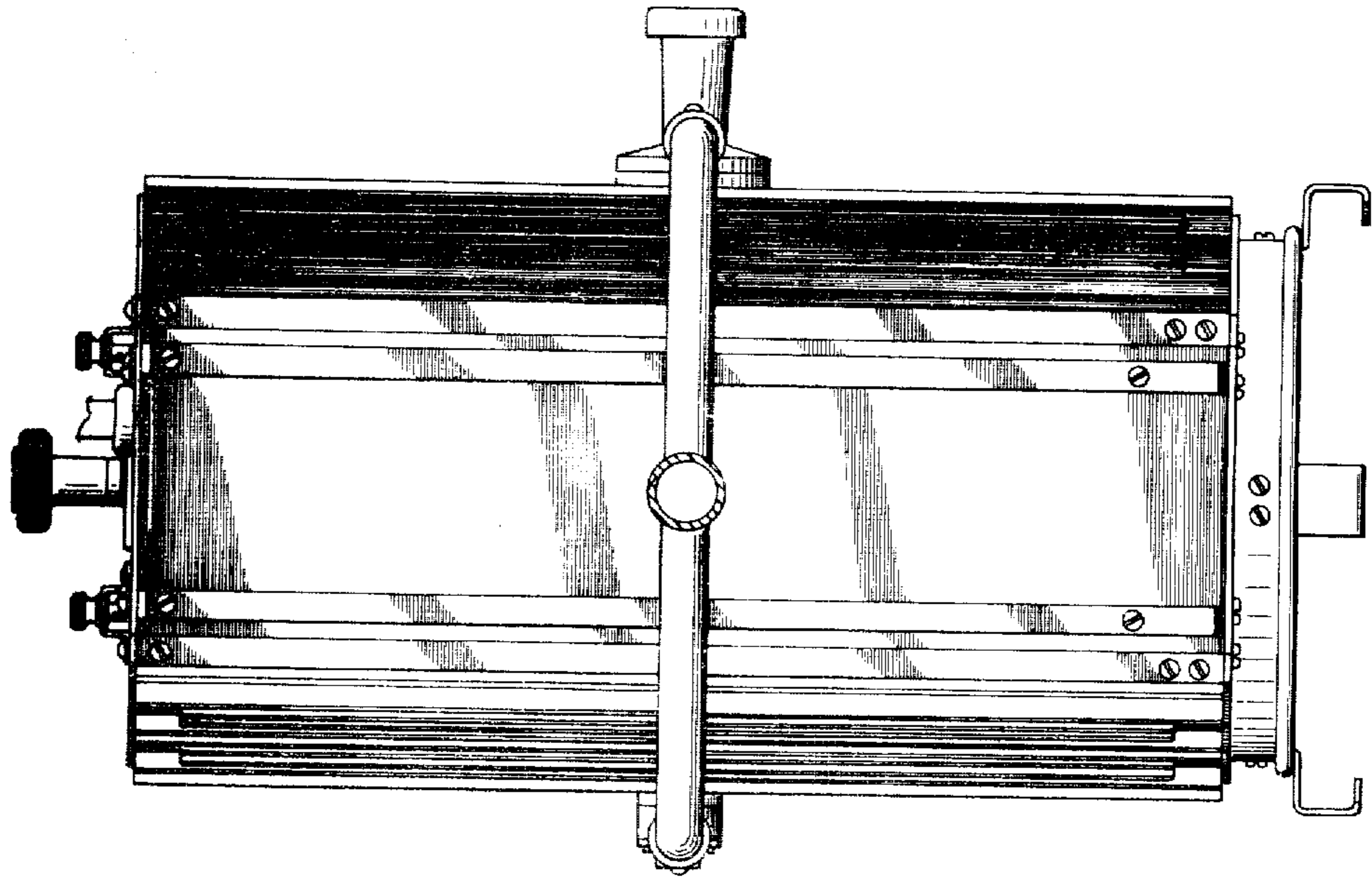
[57] CLAIM

The ornamental design for a lighting fixture, as shown and described.

DESCRIPTION

FIG. 1 is a front elevational view of my new lighting fixture;
 FIG. 2 is a fragmentary side elevational view thereof;
 FIG. 3 is a fragmentary side elevational view thereof taken from the side opposite to that shown in FIG. 2;
 FIG. 4 is a rear elevational view thereof;
 FIG. 5 is a top plan view thereof;
 FIG. 6 is a bottom plan view thereof, and
 FIG. 7 is a front perspective view thereof on a reduced scale.

The U-shaped bracket is fragmentarily shown in FIGS. 2 and 3 for convenience of illustration.



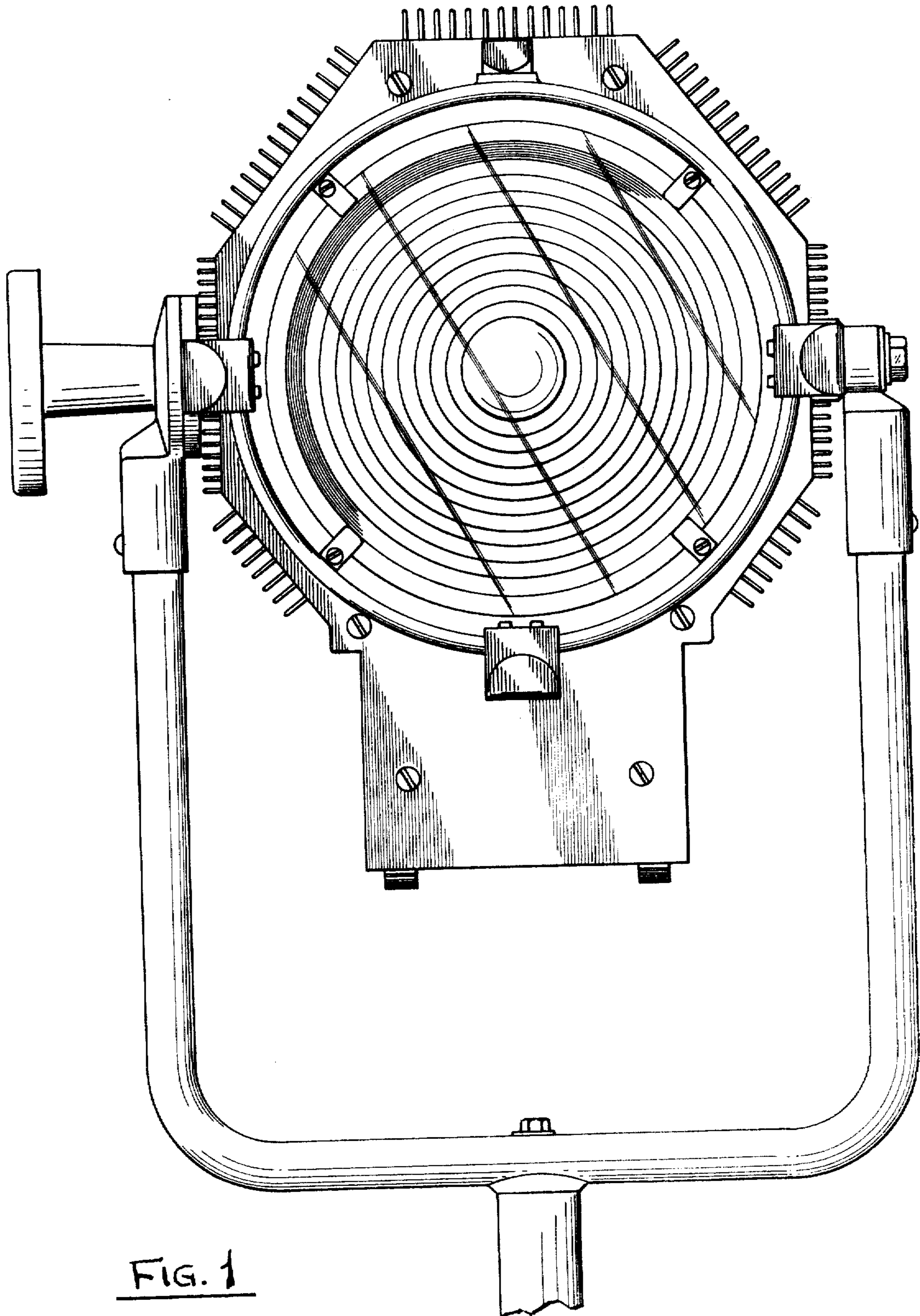


FIG. 1

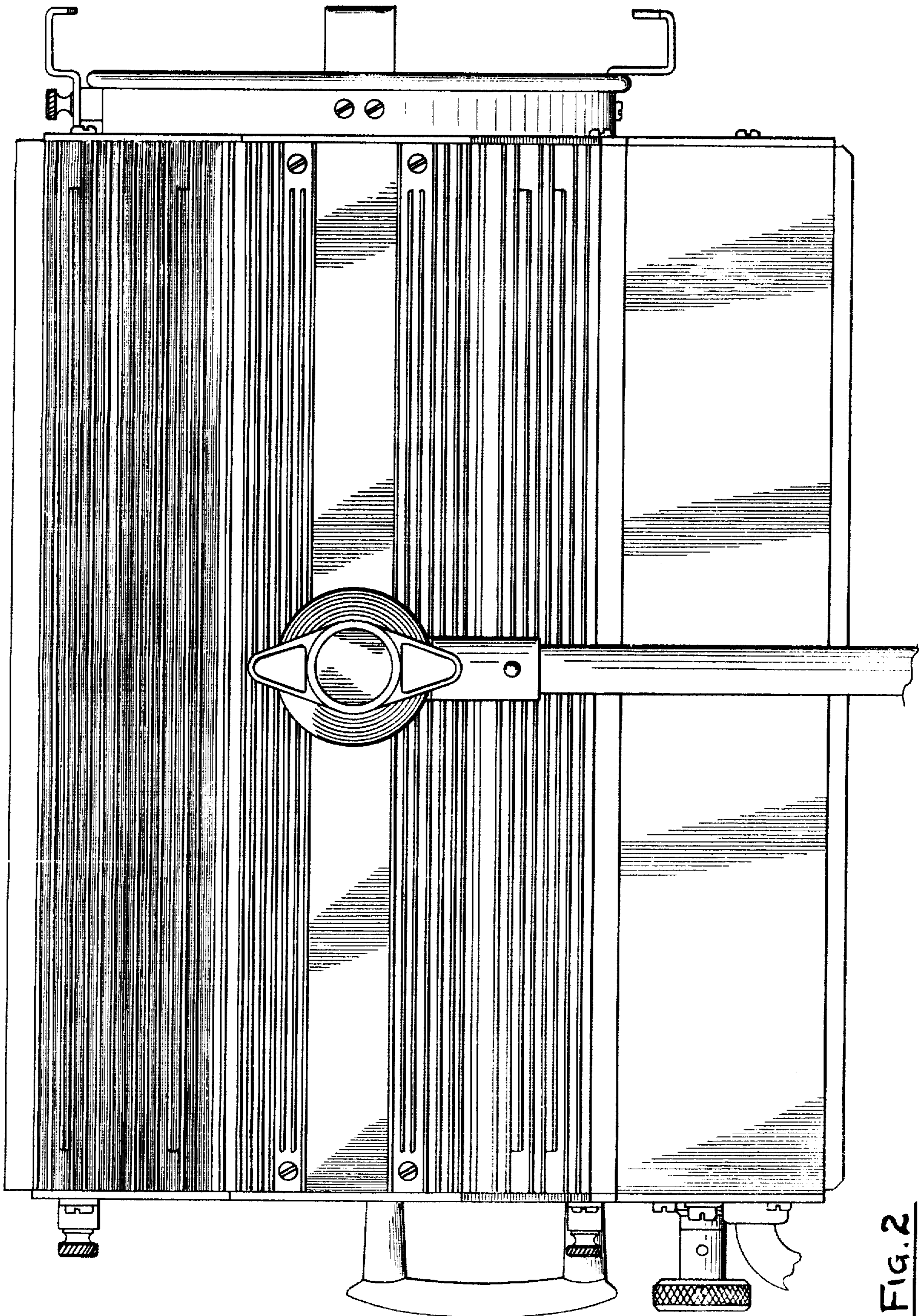


FIG. 2

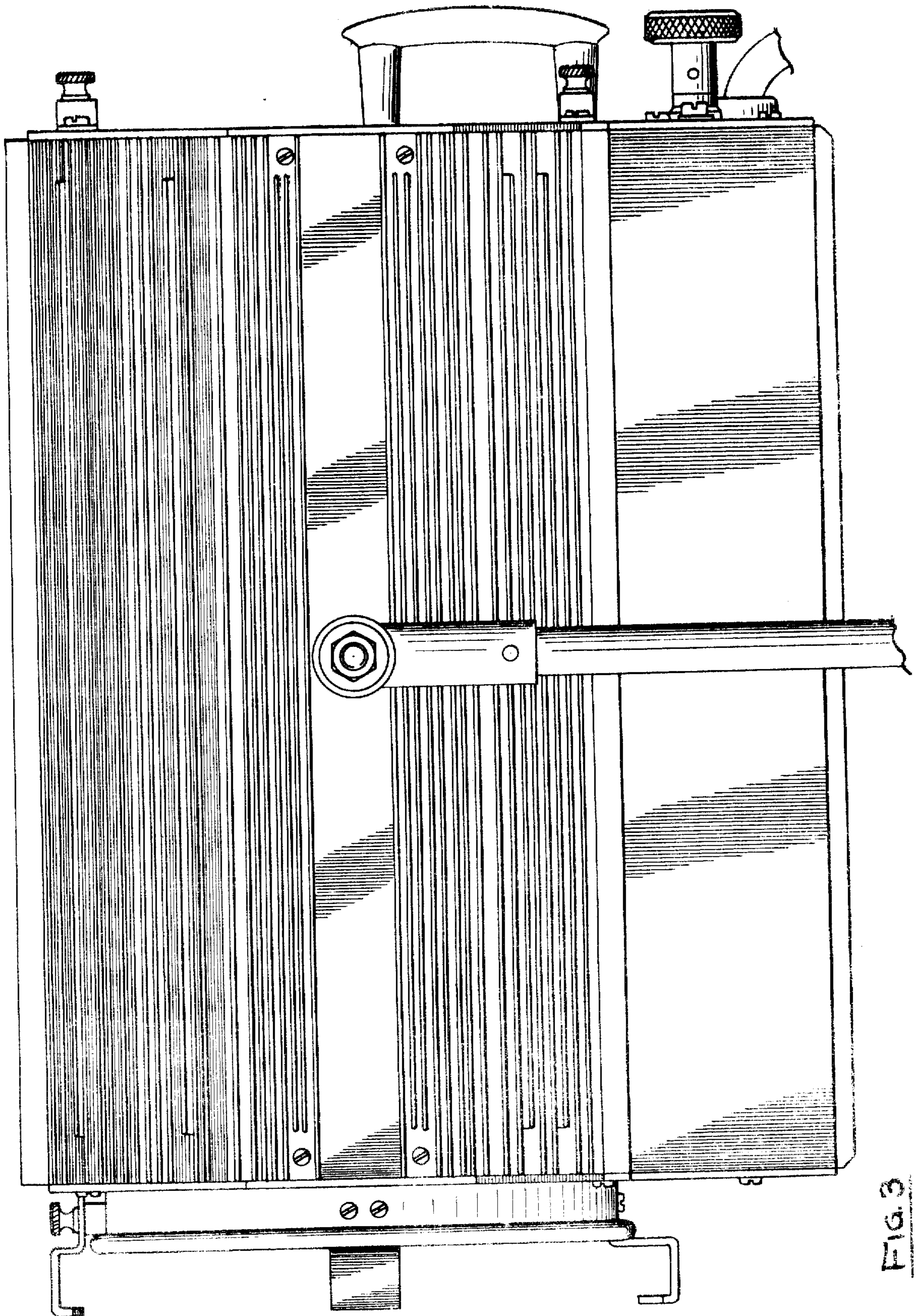


FIG. 3

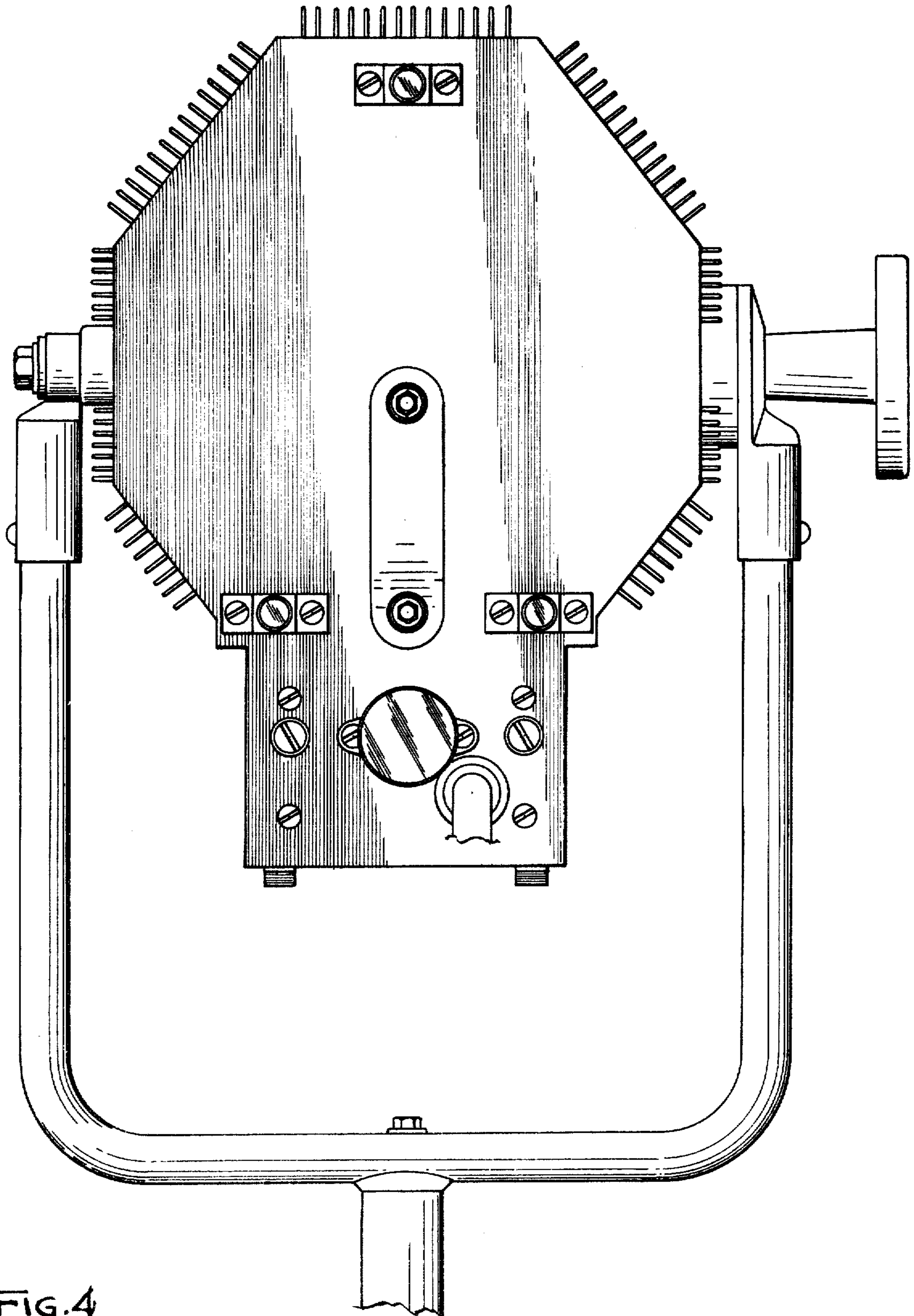


FIG. 4

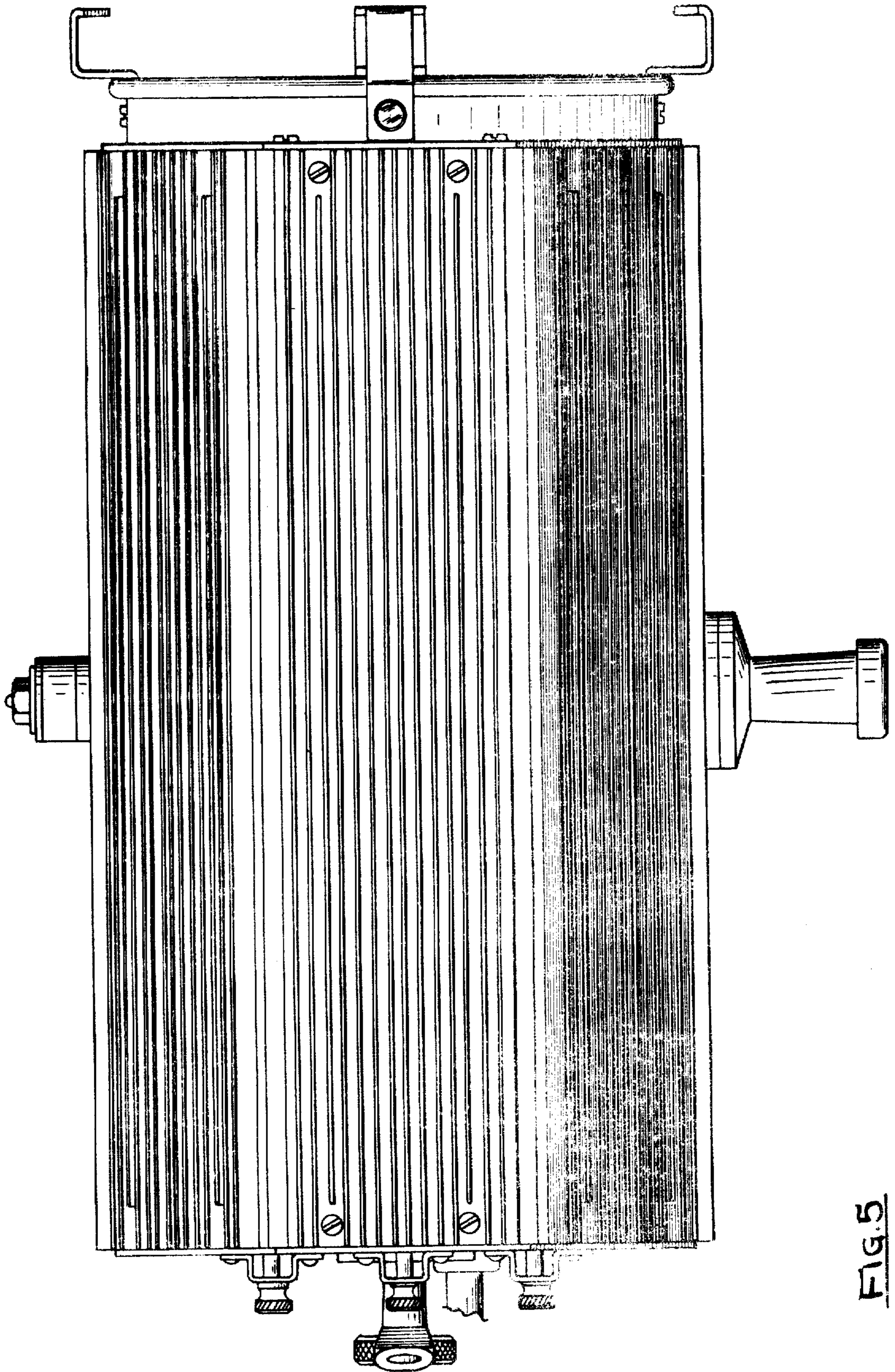


FIG. 5

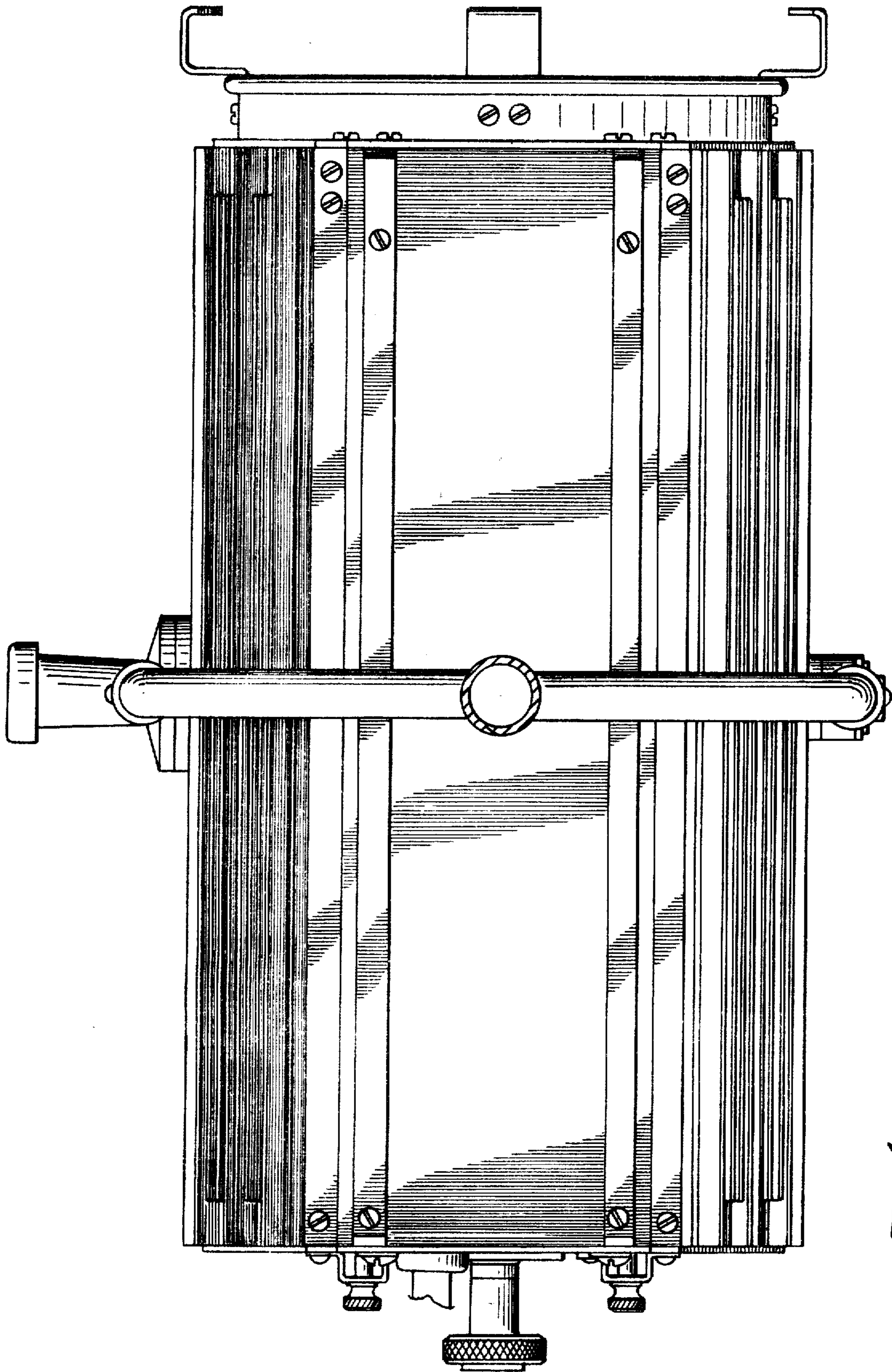


FIG. 6

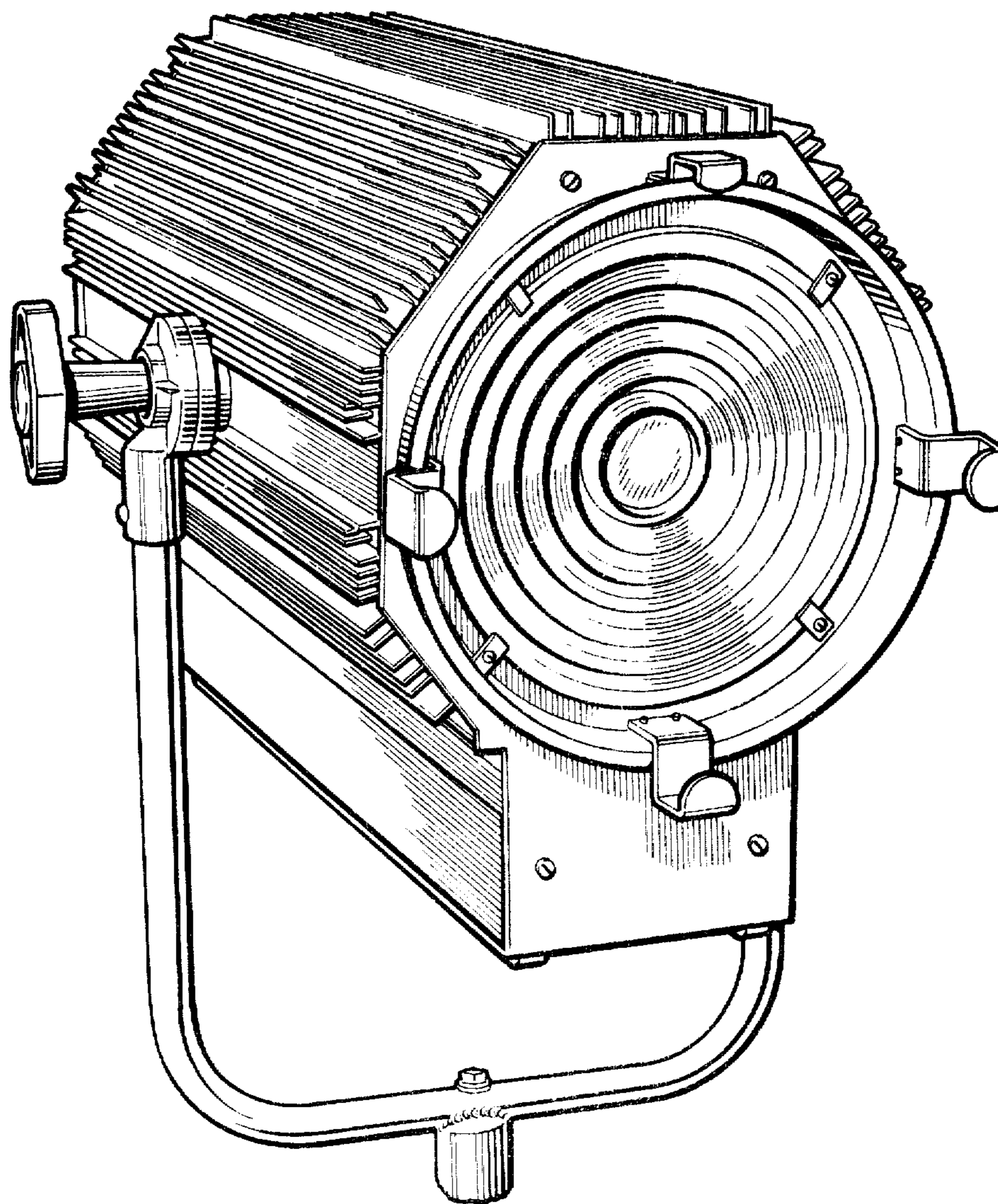


FIG. 7