

[54] SPIRAL STAIRWAY

[76] Inventor: Abraham Suckno, 289 Friar La., Mountainside, N.J. 07092

[**] Term: 14 Years

[21] Appl. No.: 234,883

[22] Filed: Feb. 17, 1981

[51] Int. Cl. D25-02

[52] U.S. Cl. D25/63

[58] Field of Search 52/187; D25/62, 63

[56] References Cited

U.S. PATENT DOCUMENTS

3,513,547 5/1970 Suckno 52/187

OTHER PUBLICATIONS

Sweet's Catalog File Products for General Building,

1981, Section 5.12a/AMe, p. 4, Item #64 AW (All Wood); Section 5.12a/Cu, p. 3, Photograph B.

Primary Examiner—A. Hugo Word
Attorney, Agent, or Firm—Weingram & Klauber

[57] CLAIM

The ornamental design for a spiral stairway, substantially as shown.

DESCRIPTION

FIG. 1 is a top plan view of a spiral stairway showing my new design;
FIG. 2 is a side elevational view thereof;
FIG. 3 is a bottom plan view thereof; and
FIG. 4 is a perspective view thereof, taken from the upper front side of said stairway.

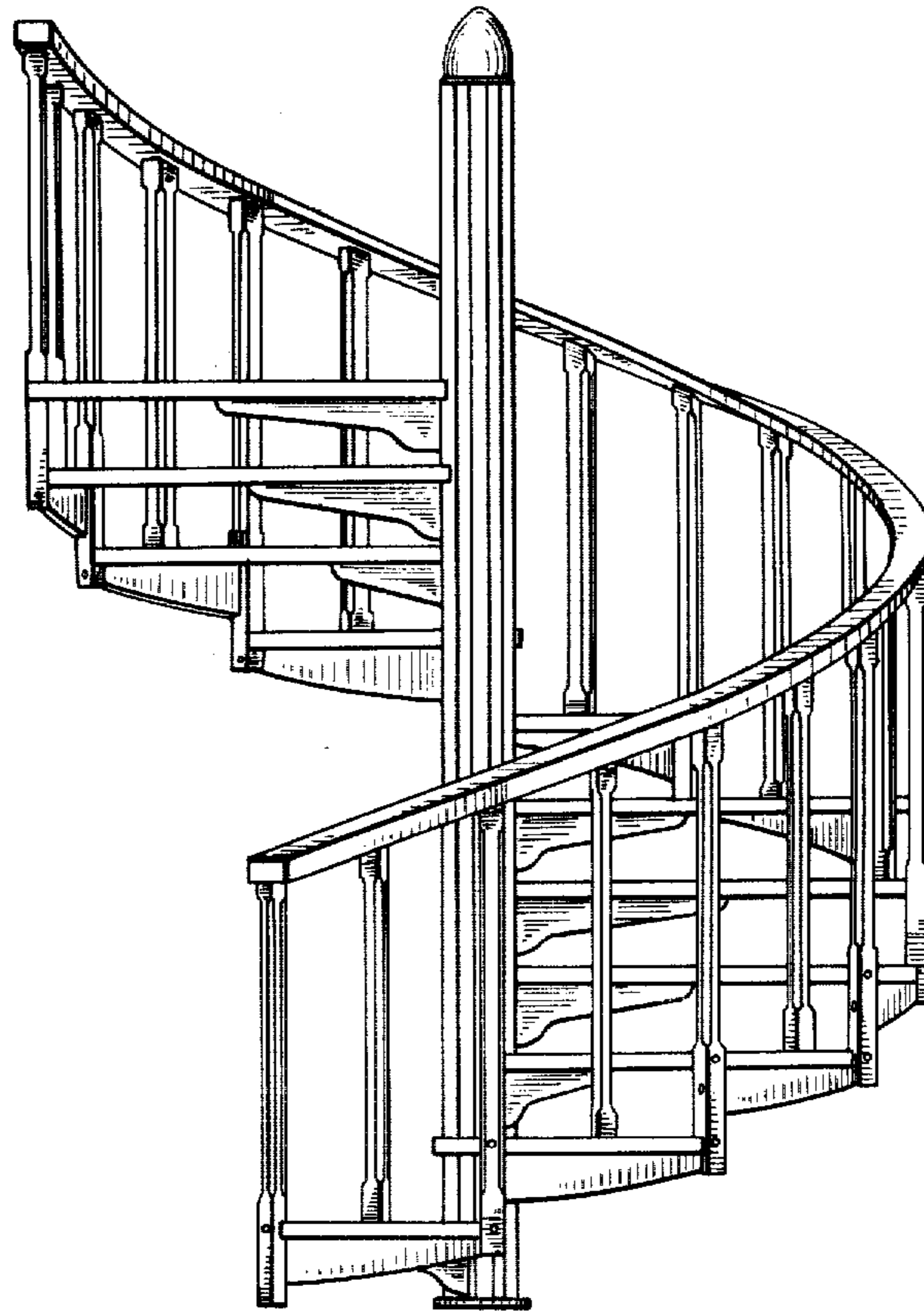


FIG. 1

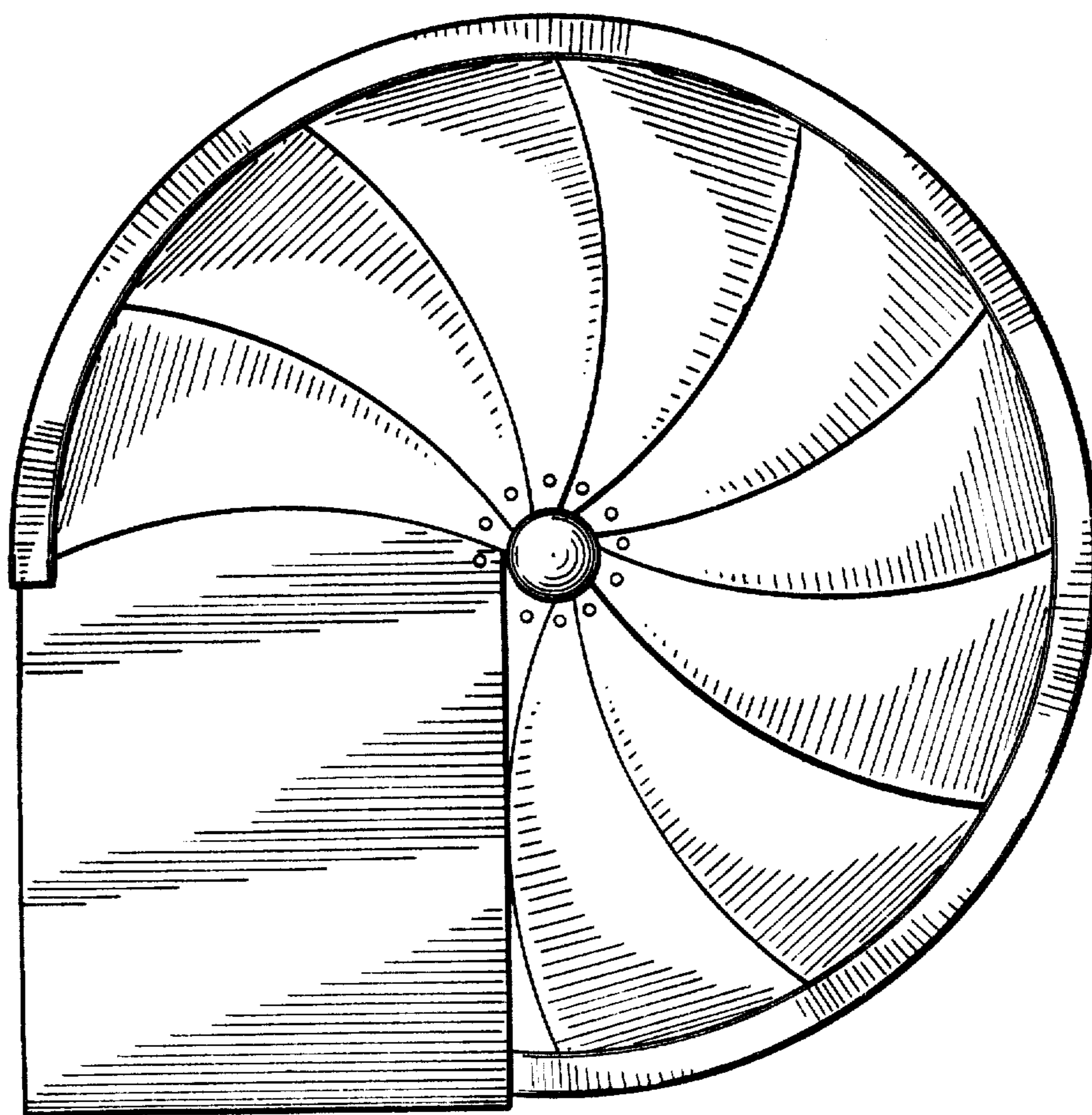


FIG. 2

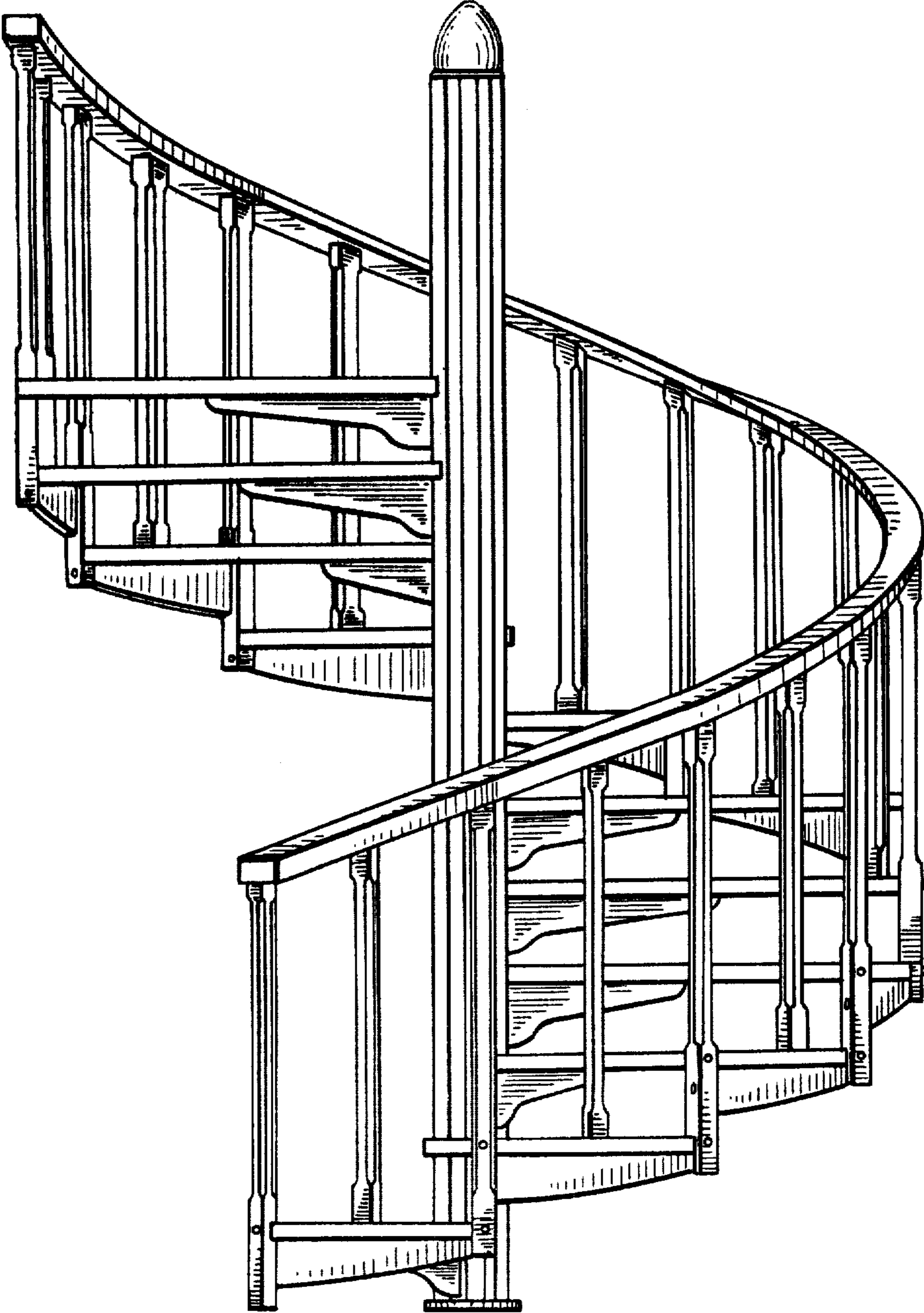


FIG. 3

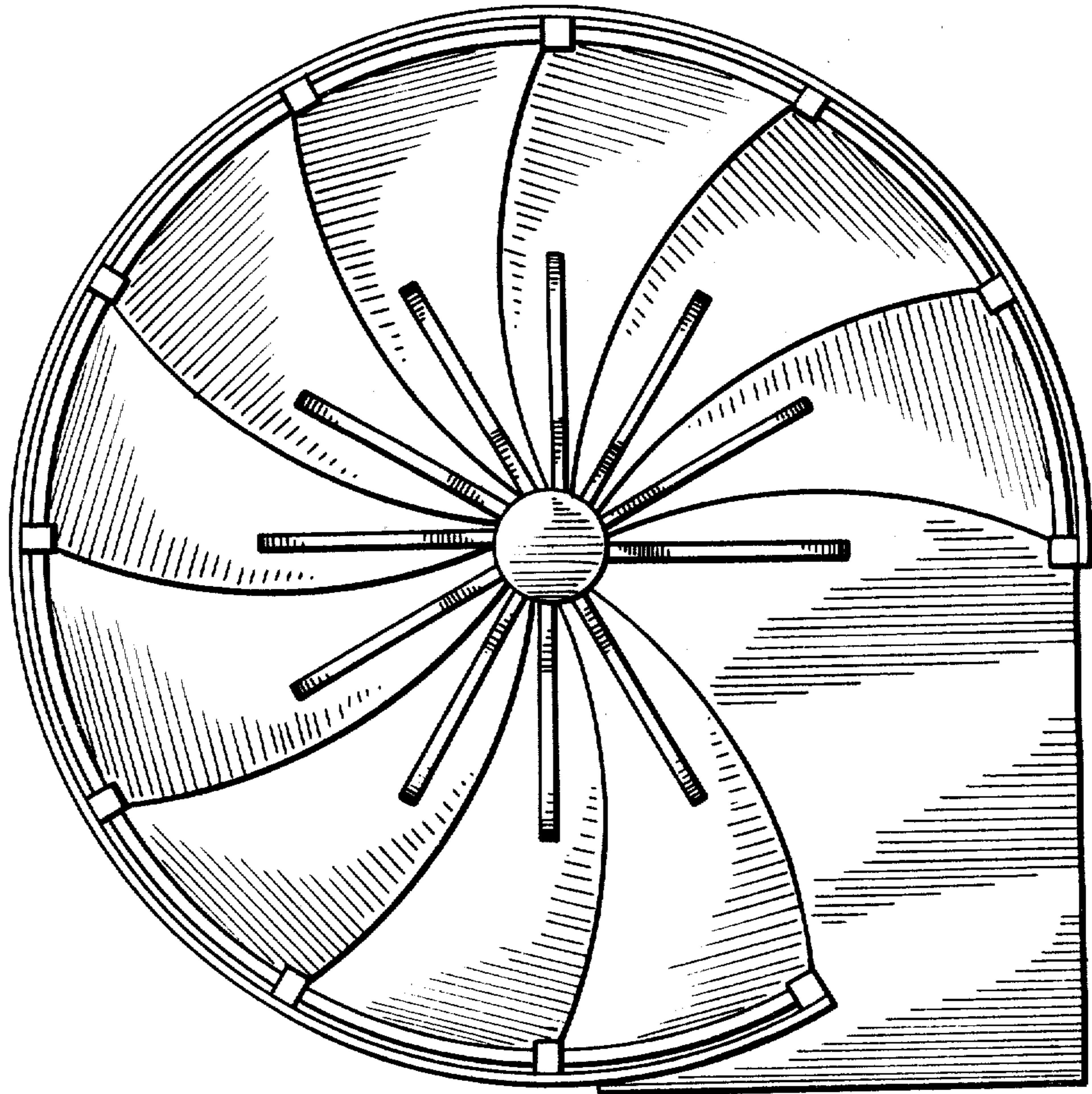


FIG. 4

