

[54] CLOSURE FOR A PRESSURE DEVICE

[75] Inventor: Robert J. Lankston, Shawnee, Kans.

[73] Assignee: Gulf & Western Manufacturing Company, Southfield, Mich.

[\*\*] Term: 14 Years

[21] Appl. No.: 252,504

[22] Filed: Apr. 8, 1981

[51] Int. Cl. .... D23-99

[52] U.S. Cl. .... D23/1; D23/02

[58] Field of Search ..... 220/3, 46, 314, 324, 220/325, 327; D23/2-4

[56] References Cited

U.S. PATENT DOCUMENTS

- D. 249,801 10/1978 Hollingsworth ..... D23/3
- D. 265,848 8/1982 Johansson ..... D23/1

- 2,835,404 5/1958 Andrus ..... 220/3
- 3,462,041 8/1969 Wilson ..... 220/46
- 3,744,670 7/1973 De Frees ..... 220/314
- 3,924,778 12/1975 Sorensen ..... 220/314
- 4,127,215 11/1978 Morrison ..... 220/314
- 4,379,513 4/1983 Basterfield et al. .... 220/325

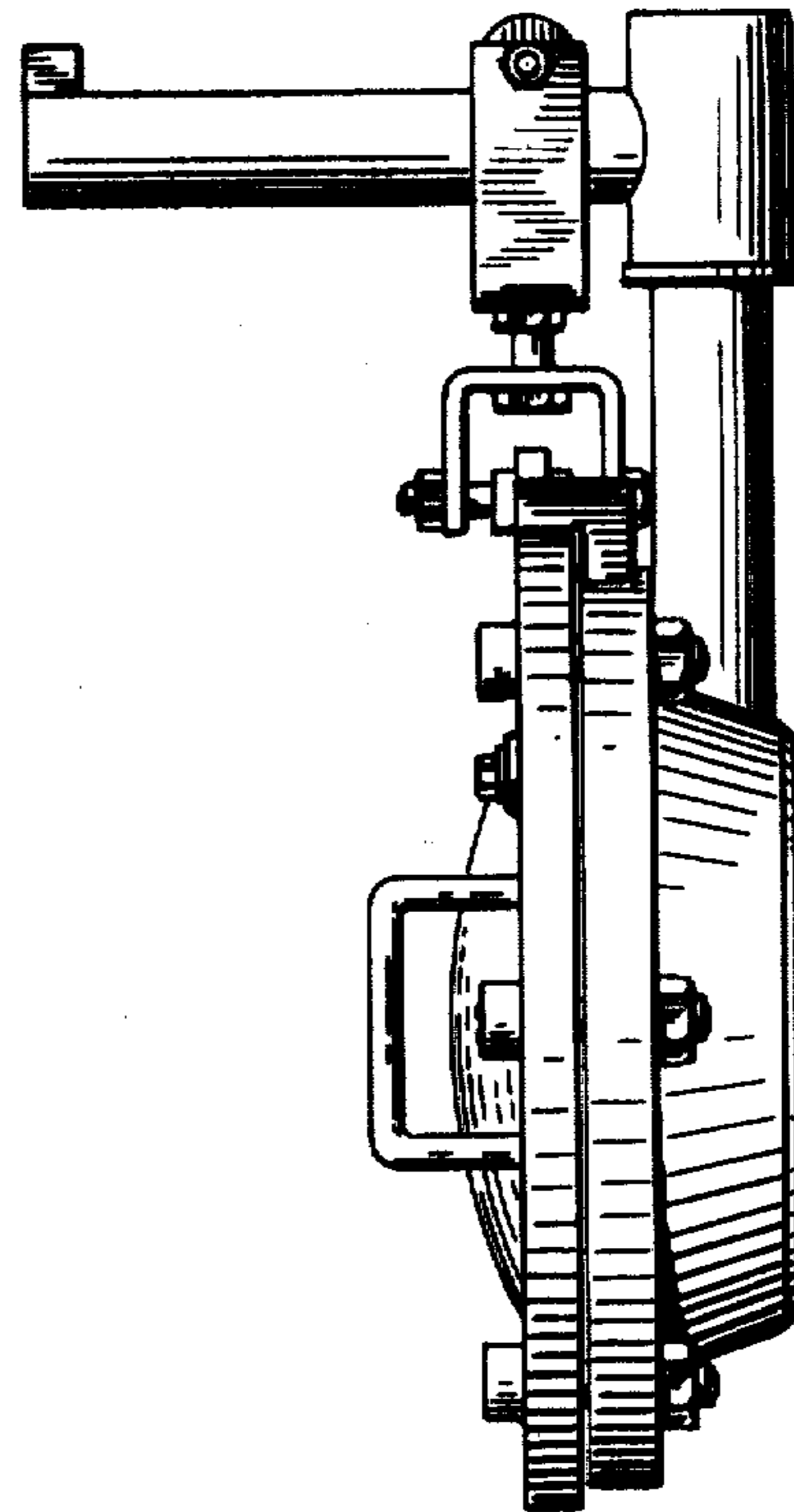
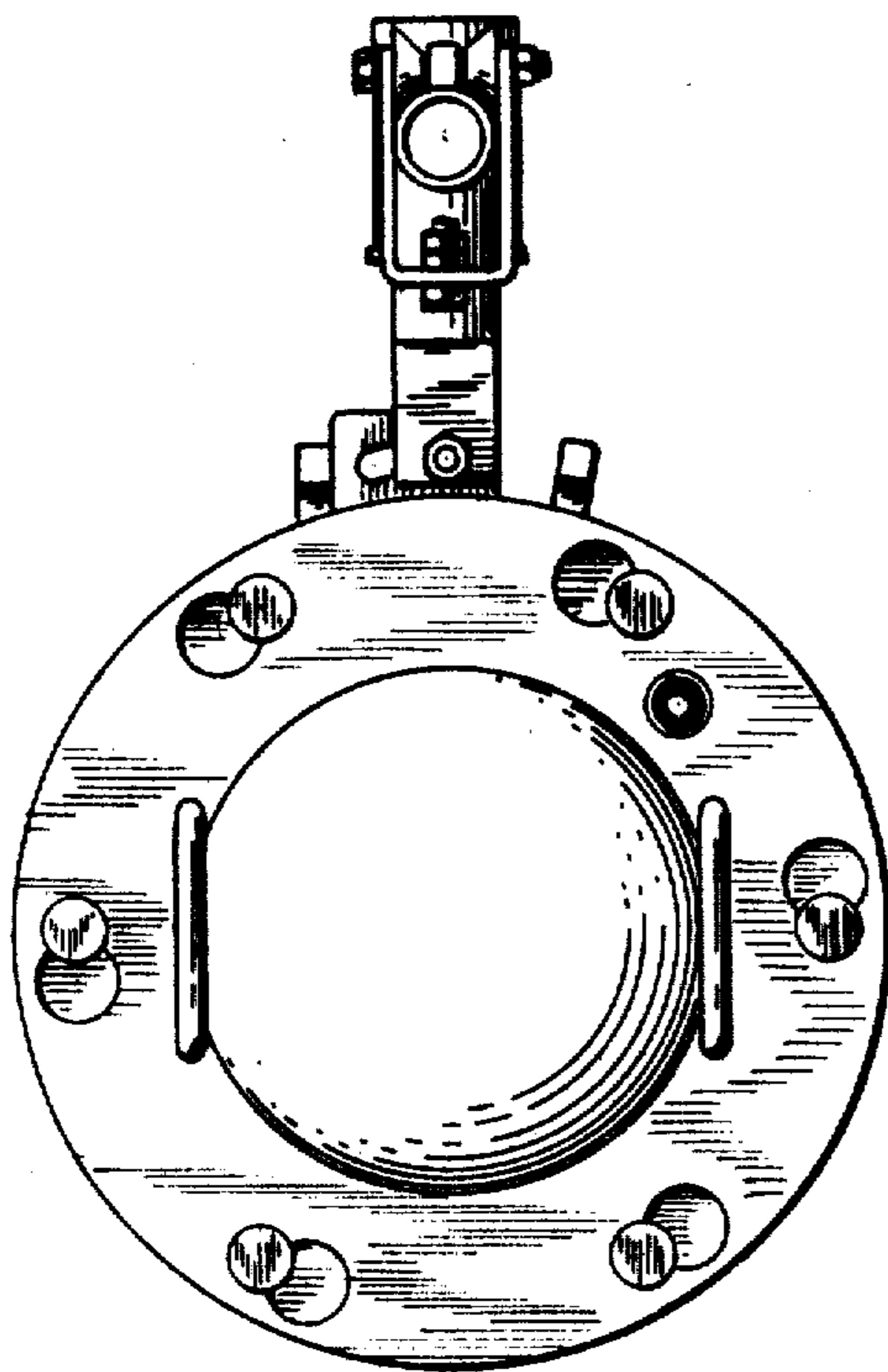
Primary Examiner—Bernard Ansher  
Attorney, Agent, or Firm—Charles I. Sherman

[57] CLAIM

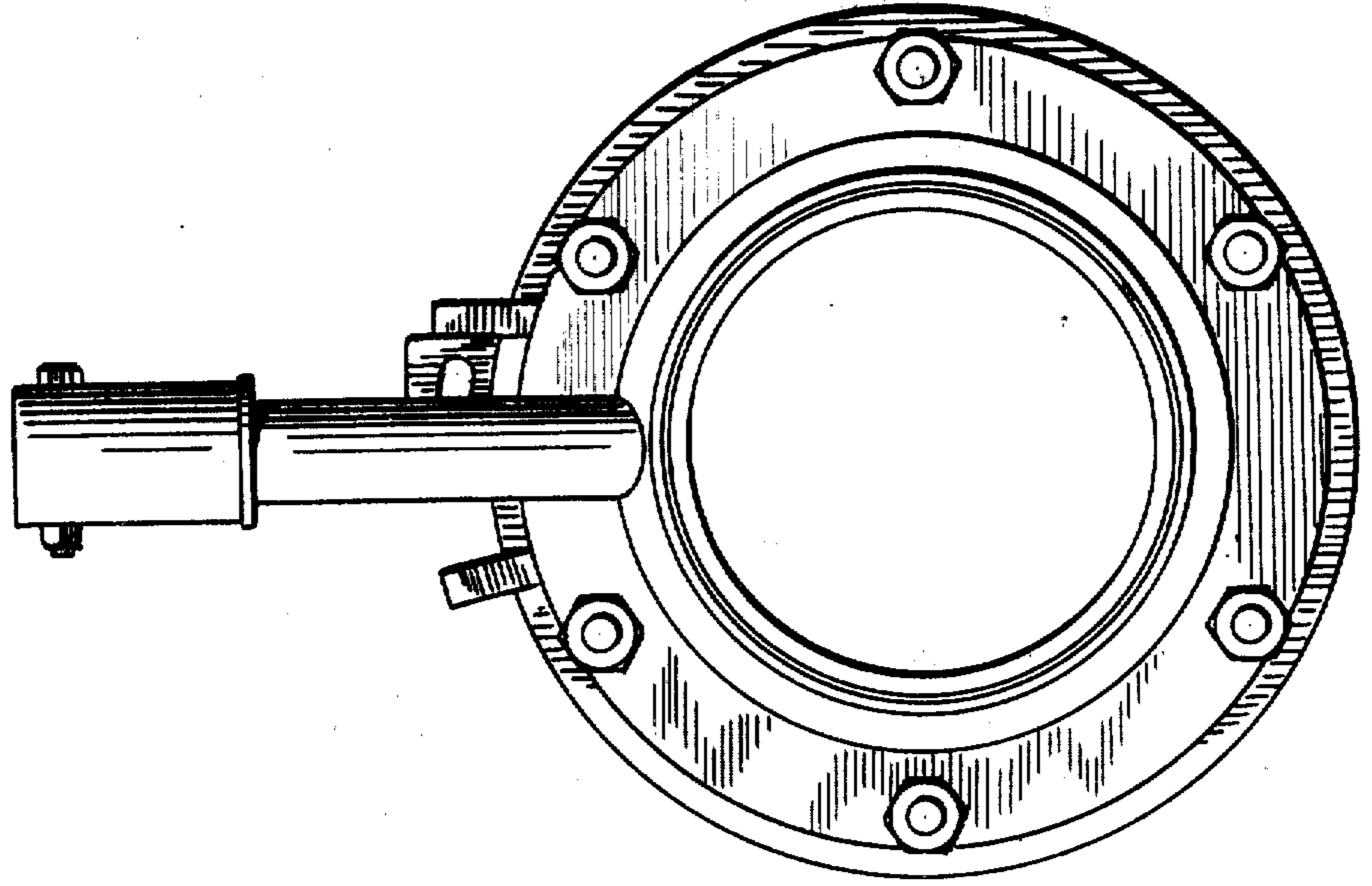
The ornamental design for a closure for a pressure device, as shown.

DESCRIPTION

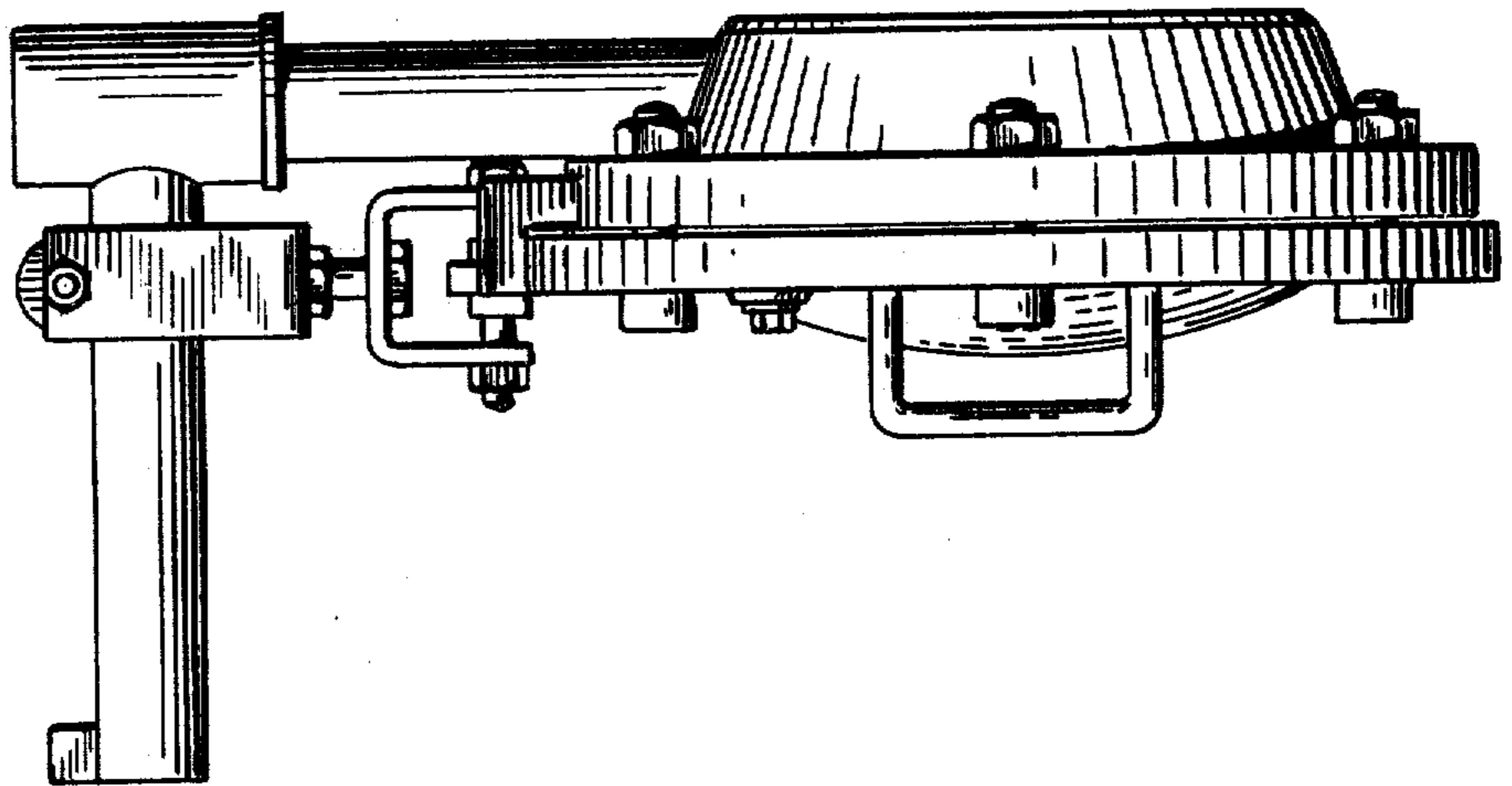
FIG. 1 is a front elevation view of a closure for a pressure device showing my new design; FIG. 2 is one side elevation view thereof; FIG. 3 is a rear elevation view thereof; FIG. 4 is a top plan view thereof; FIG. 5 is a bottom plan view thereof; and FIG. 6 is the other side elevation view thereof.



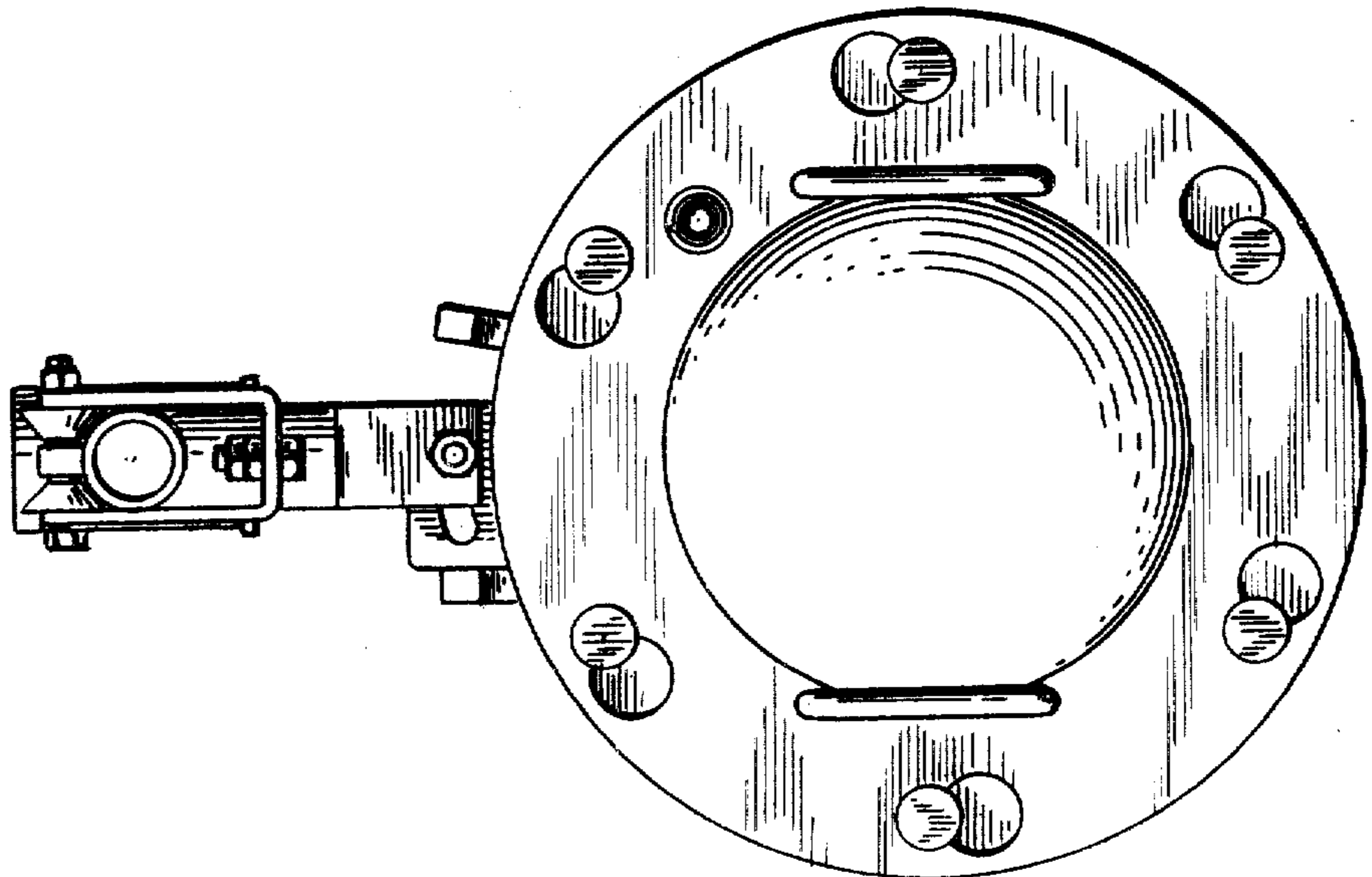
*Fig. 3.*

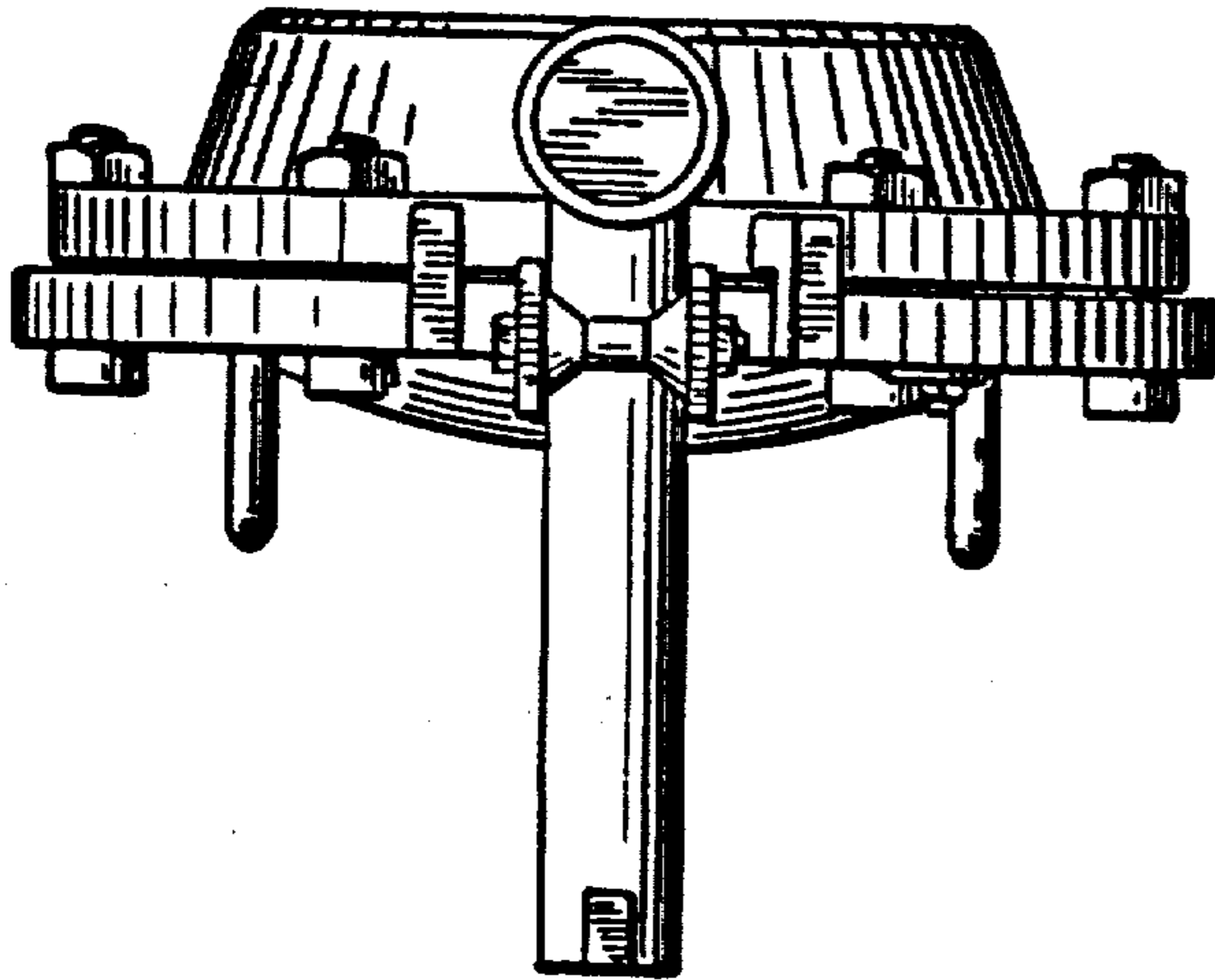


*Fig. 2.*

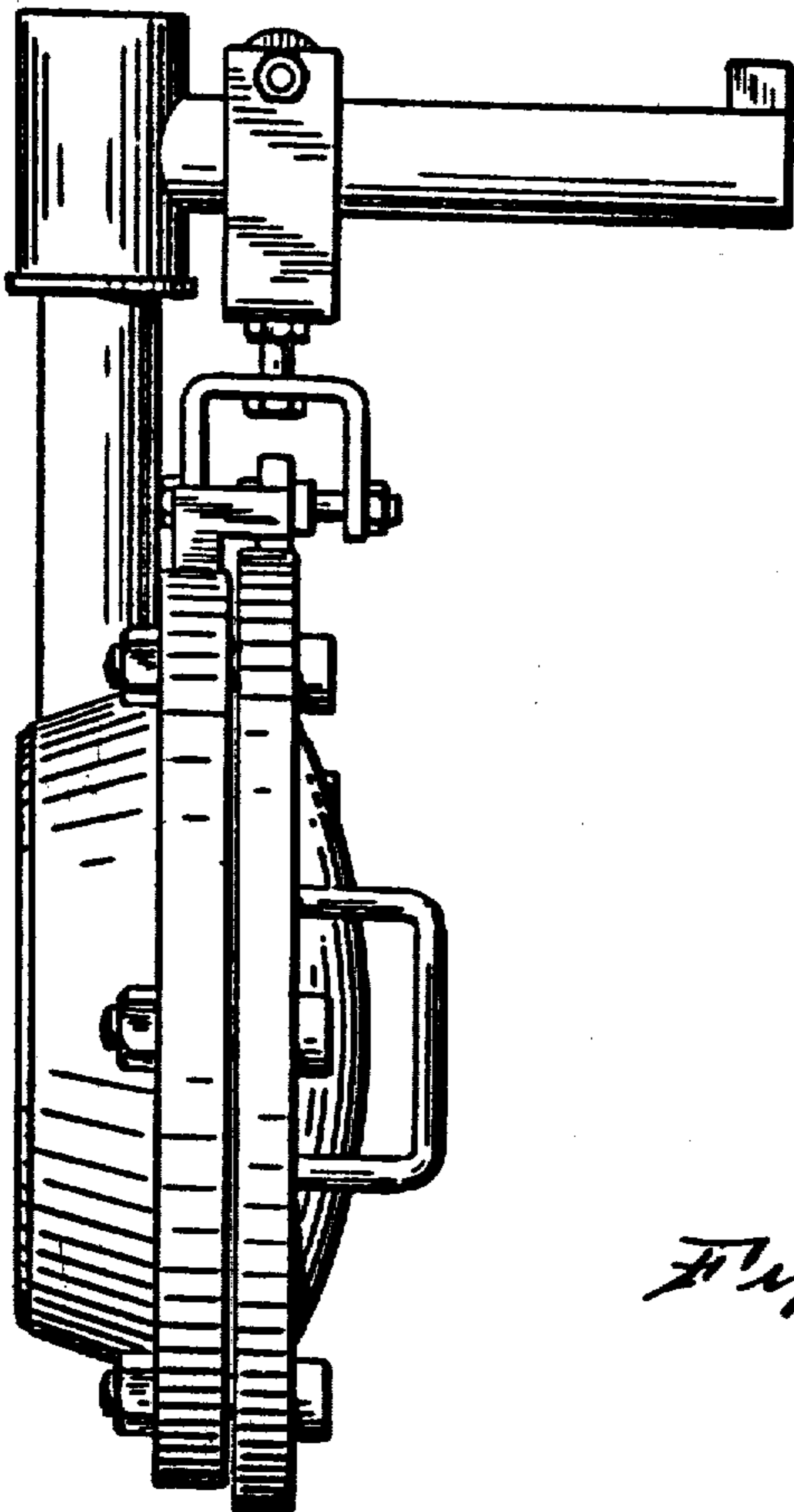


*Fig. 1.*

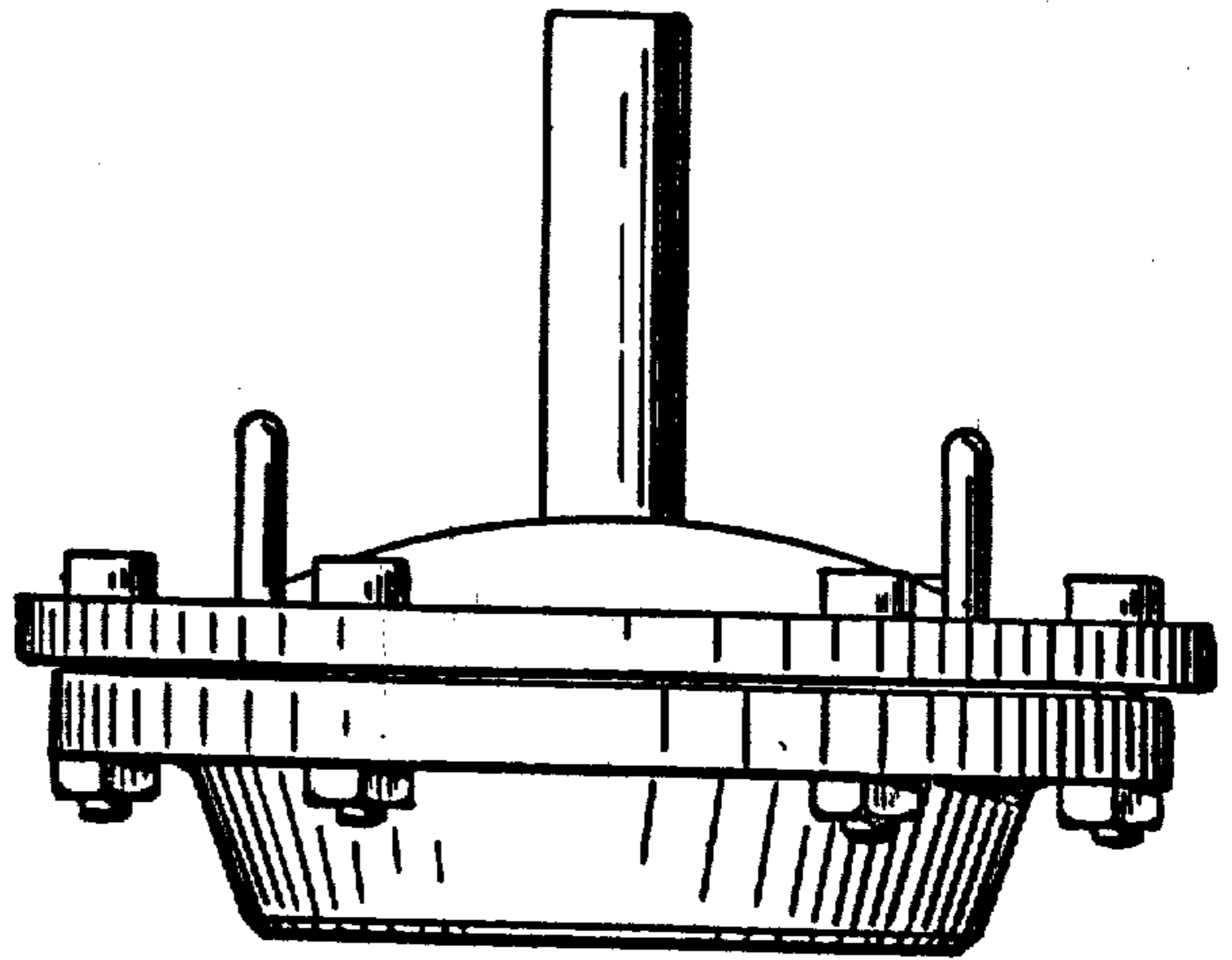




*Fig. 4*



*Fig. 6*



*Fig. 5*