

[54] **SEWERLESS TOILET OR SIMILAR ARTICLE**

[75] Inventors: **Kenneth J. DeGraw, Montvale; Earl W. Nickerson, Ocean City, both of N.J.**

[73] Assignee: **American Standard Inc., New York, N.Y.**

[\*\*] Term: **14 Years**

[21] Appl. No.: **320,271**

[22] Filed: **Nov. 12, 1981**

[51] Int. Cl. .... **D23-02**

[52] U.S. Cl. .... **D23/48; D23/65**

[58] Field of Search .... **D23/48, 65-67; 4/317-323, 449, 459, 460, 474-476, 479, DIG. 12**

[56] **References Cited**

**U.S. PATENT DOCUMENTS**

- D. 193,169 7/1962 Wood ..... D23/48  
 D. 222,060 9/1971 Quintana ..... D23/48

- D. 241,845 10/1976 Shamsio ..... D23/48  
 D. 247,913 5/1978 Whitney et al. .... D23/65  
 3,577,568 5/1971 Johansen et al. .... 4/317  
 3,593,345 7/1971 Wells ..... 4/317 X  
 3,846,847 11/1974 Tufts et al. .... 4/317 X  
 3,882,552 5/1975 Turner ..... 4/321 X  
 4,215,445 8/1980 Antos et al. .... 4/323  
 4,310,934 1/1982 Hennessey et al. .... 4/321  
 4,313,234 2/1982 Stewart ..... 4/449

*Primary Examiner*—James R. Largen  
*Attorney, Agent, or Firm*—James J. Salerno, Jr.; Robert G. Crooks; John P. Sinnott

[57] **CLAIM**

The ornamental design for a sewerless toilet or similar article, substantially as shown and described.

**DESCRIPTION**

FIG. 1 is a right side elevational view of a sewerless toilet embodying our design;  
 FIG. 2 is a front elevational view thereof;  
 FIG. 3 is a top plan view thereof;  
 FIG. 4 is a rear elevational view thereof;  
 FIG. 5 is a bottom plan view thereof; and  
 FIG. 6 is a left side elevational view thereof.

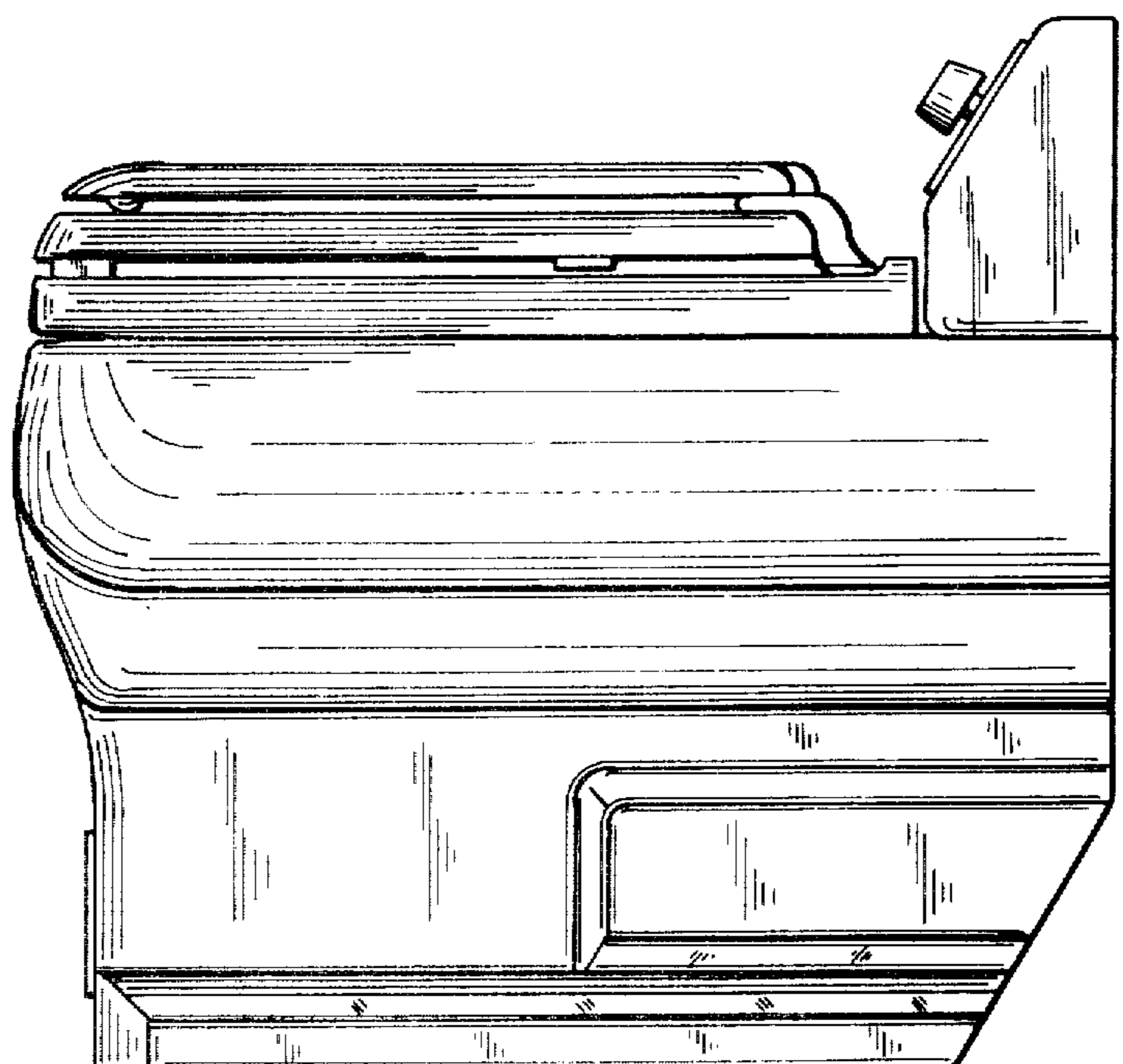
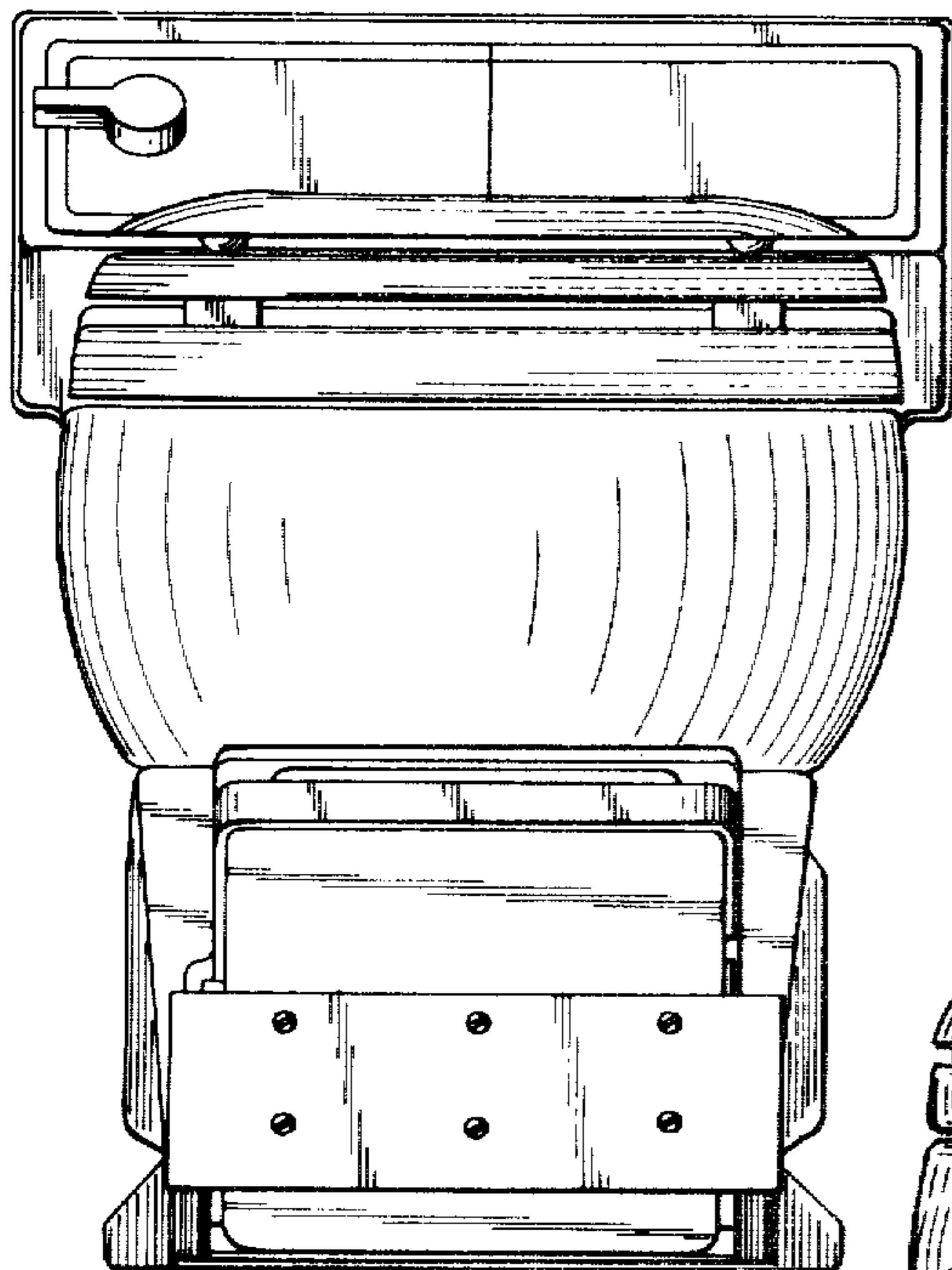


FIG. 1

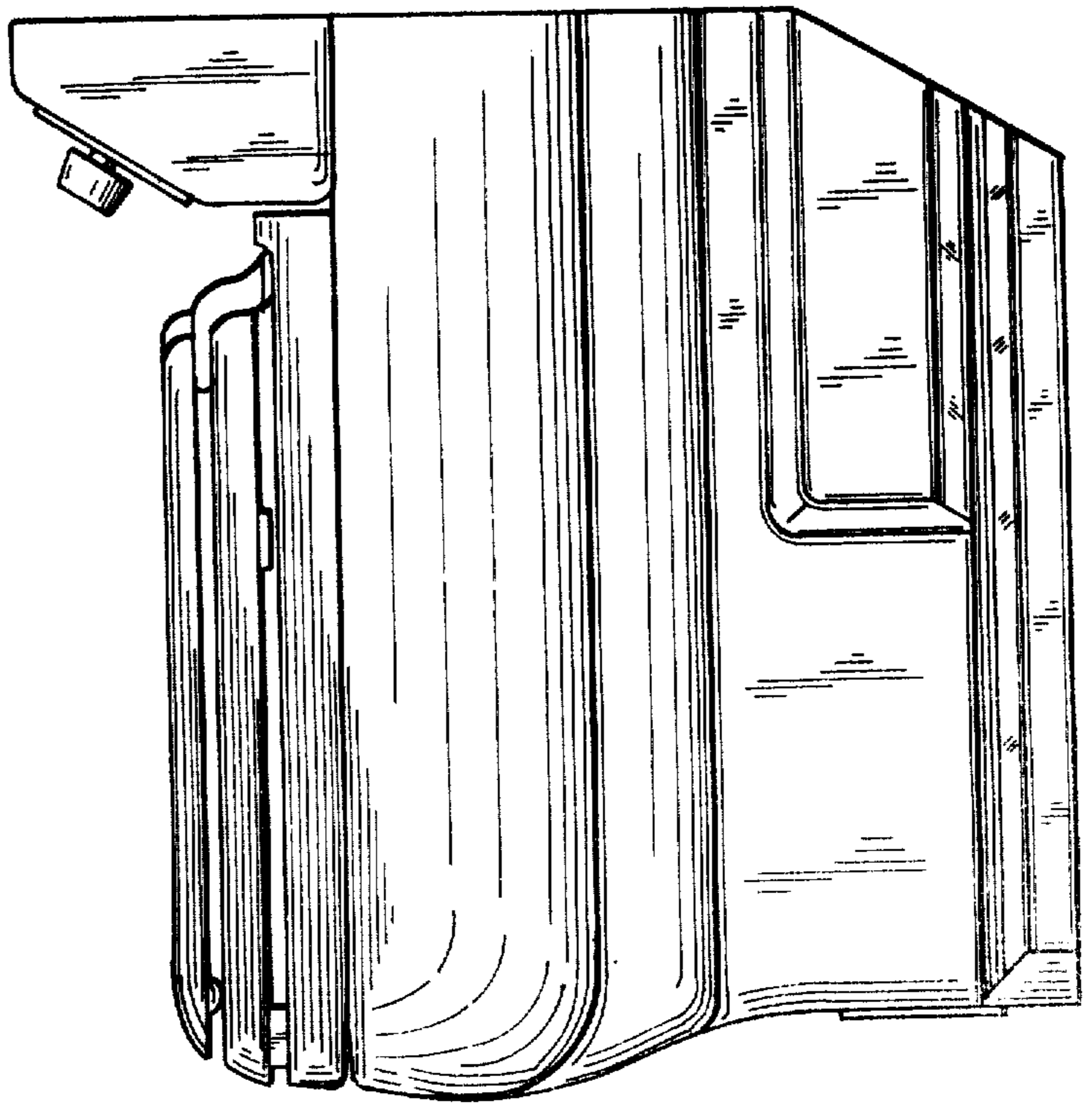


FIG. 2

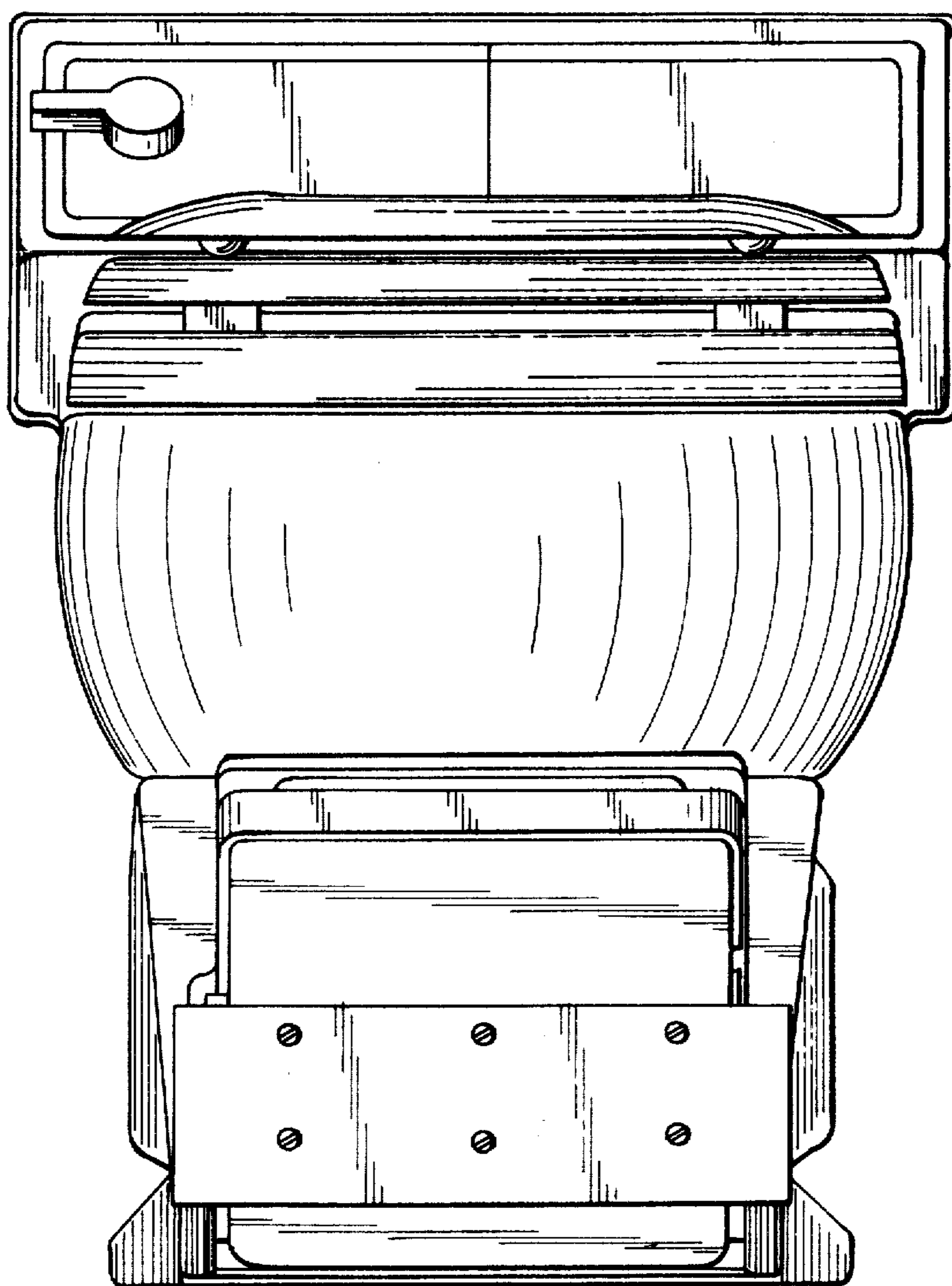


FIG. 3

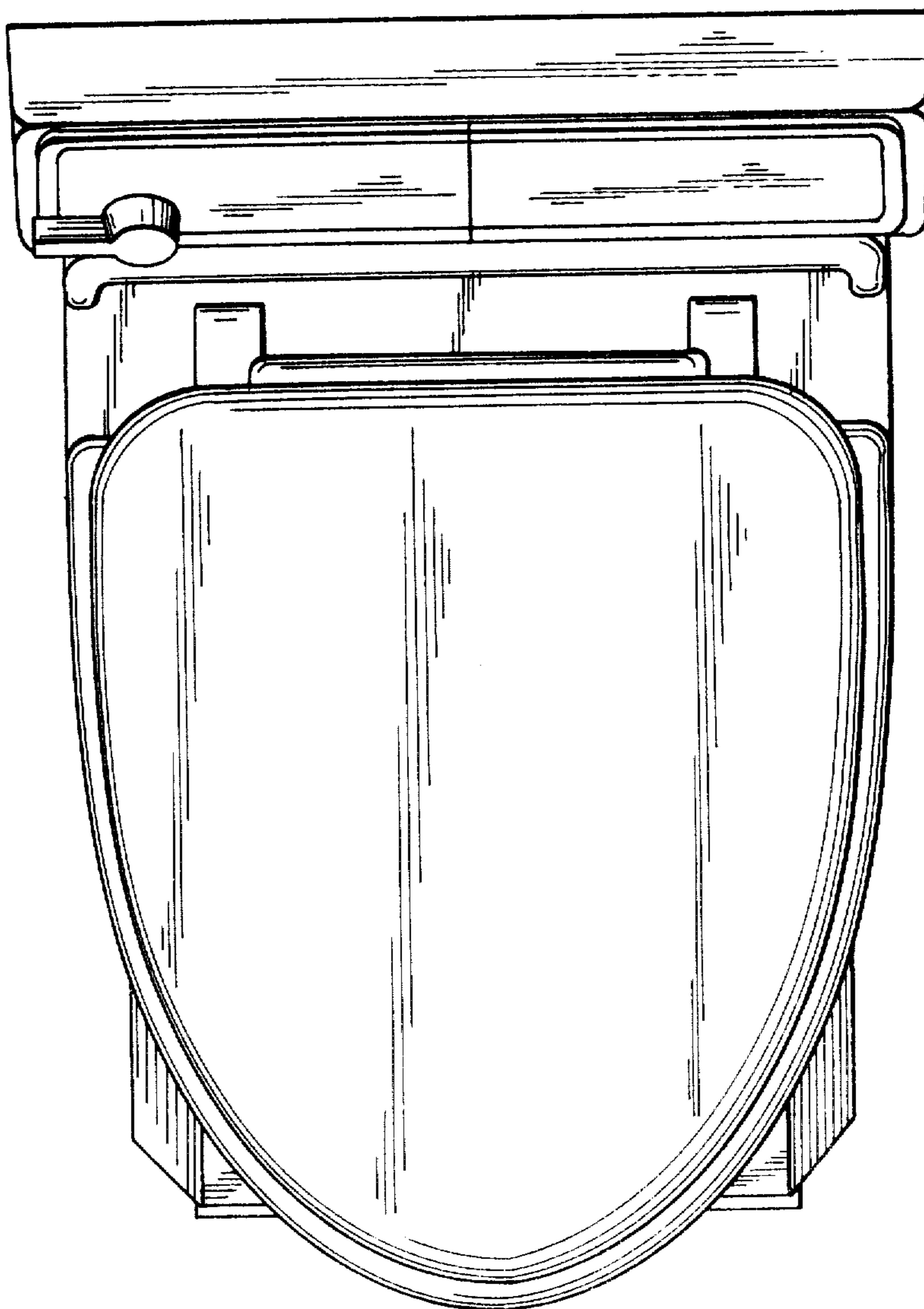


FIG. 4

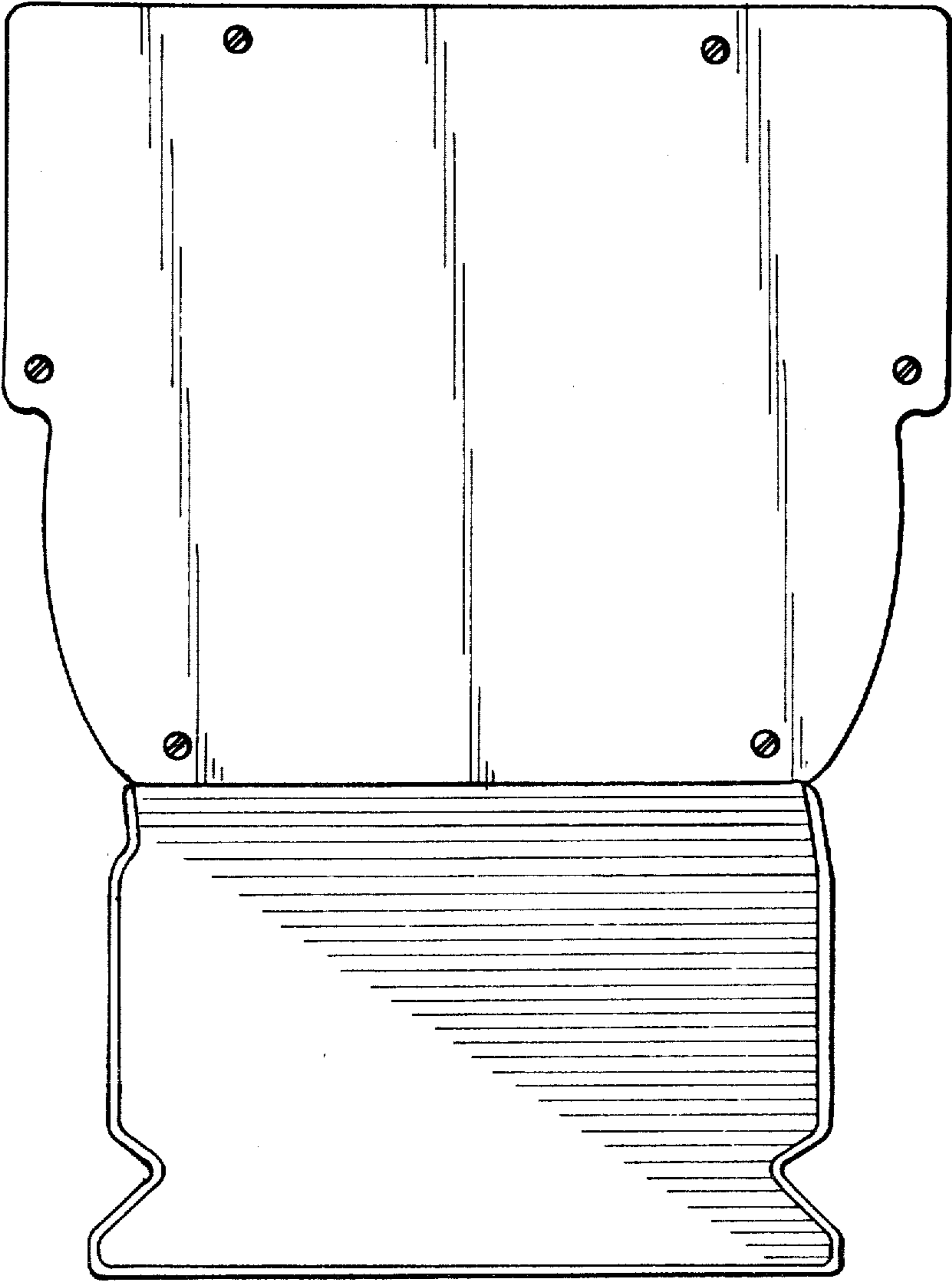


FIG. 5

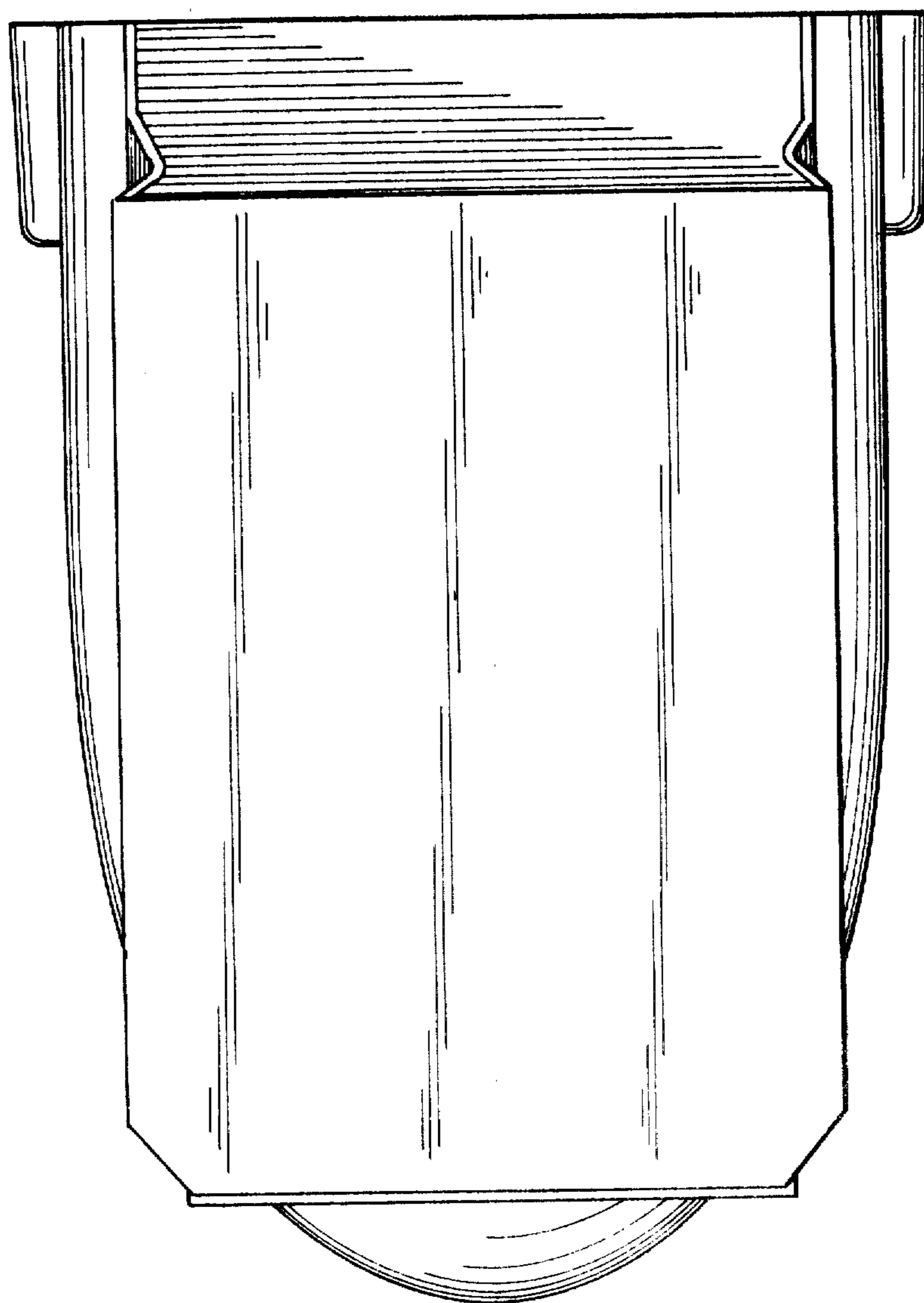


FIG. 6

