

[54] FAUCET SET

[75] Inventor: Stanley M. Paul, Rye, N.Y.

[73] Assignee: Paul Associates, Inc., Long Island City, N.Y.

[**] Term: 14 Years

[21] Appl. No.: 274,579

[22] Filed: Jun. 17, 1981

[51] Int. Cl. D23-01

[52] U.S. Cl. D23/25

[58] Field of Search D23/23-32;
4/191, 192; 137/606, 801

[56] References Cited

U.S. PATENT DOCUMENTS

- D. 114,556 5/1939 Morgan D23/26
- D. 207,984 6/1967 Maguire D23/26
- D. 258,835 4/1981 Saporito et al. D23/25
- D. 265,229 6/1982 Paul D23/25

- D. 265,230 6/1982 Paul D23/25
- D. 265,231 6/1982 Paul D23/25

OTHER PUBLICATIONS

American Builder, Jul. 1948, p. 83, bottom right item.
Domestic Engineering, Jun. 1961, p. 17, top left item.
Architectural Form, Sep. 1946, p. 154, "Salten" item.

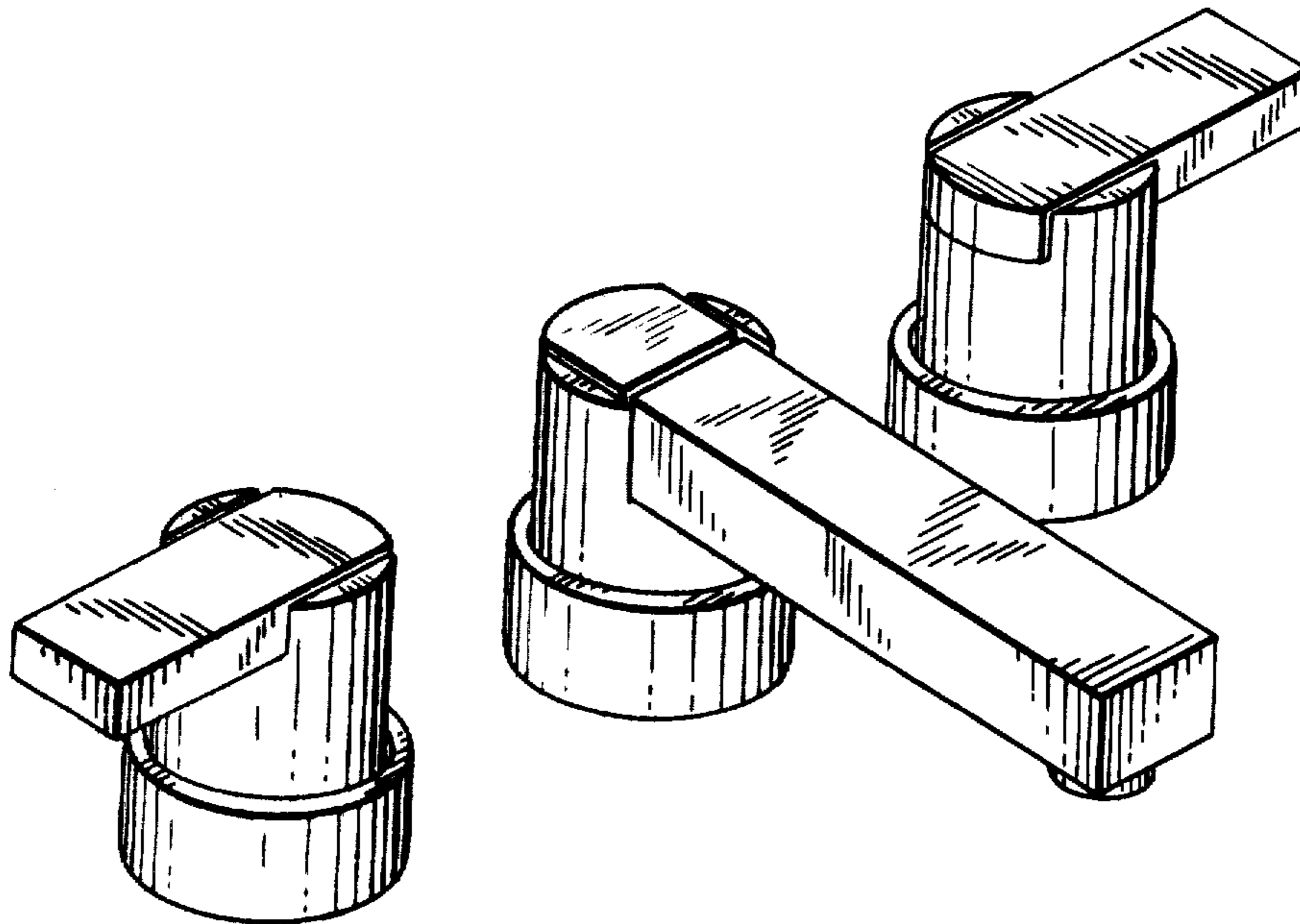
Primary Examiner—James R. Largen
Attorney, Agent, or Firm—Blum, Kaplan, Friedman,
Silberman & Beran

[57] CLAIM

The ornamental design for a faucet set, as shown.

DESCRIPTION

FIG. 1 is a front perspective view of a faucet set embodying my new design;
FIG. 2 is a top plan view thereof;
FIG. 3 is a front elevational view thereof;
FIG. 4 is a side elevational view thereof;
FIG. 5 is a rear elevational view thereof; and
FIG. 6 is a bottom plan view thereof.



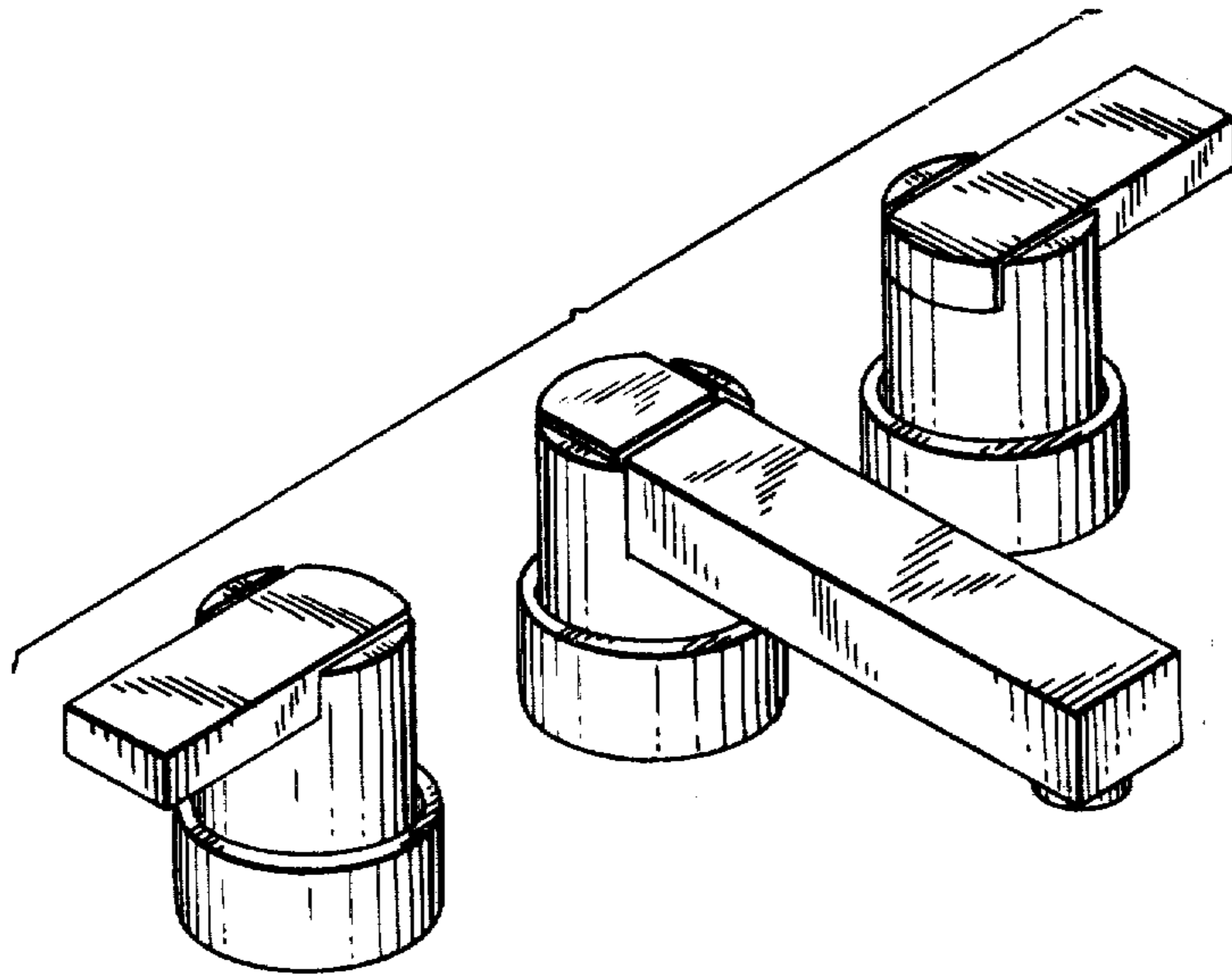


FIG. 1

FIG. 2

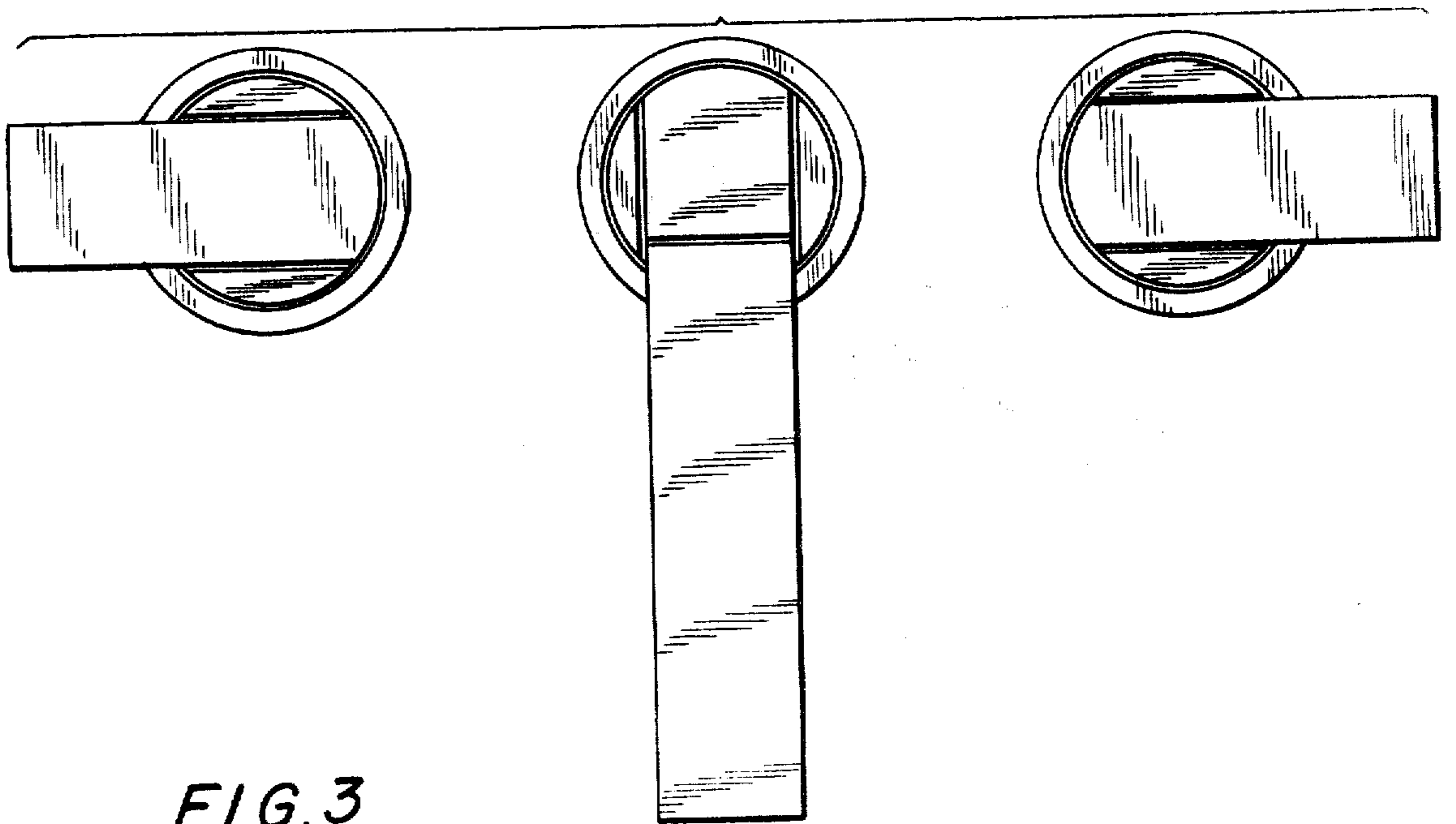


FIG. 3

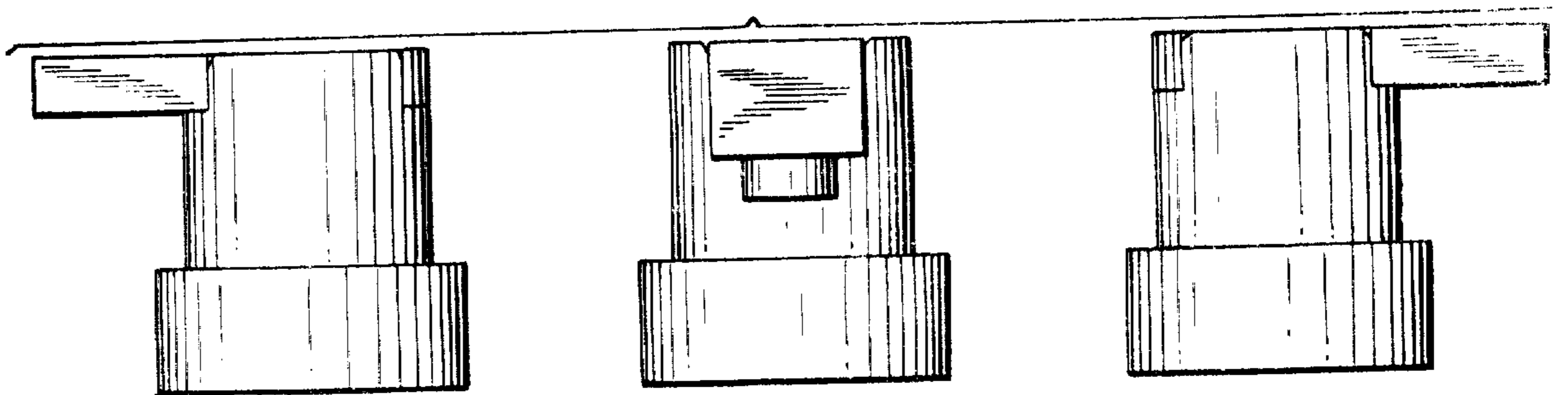


FIG. 4

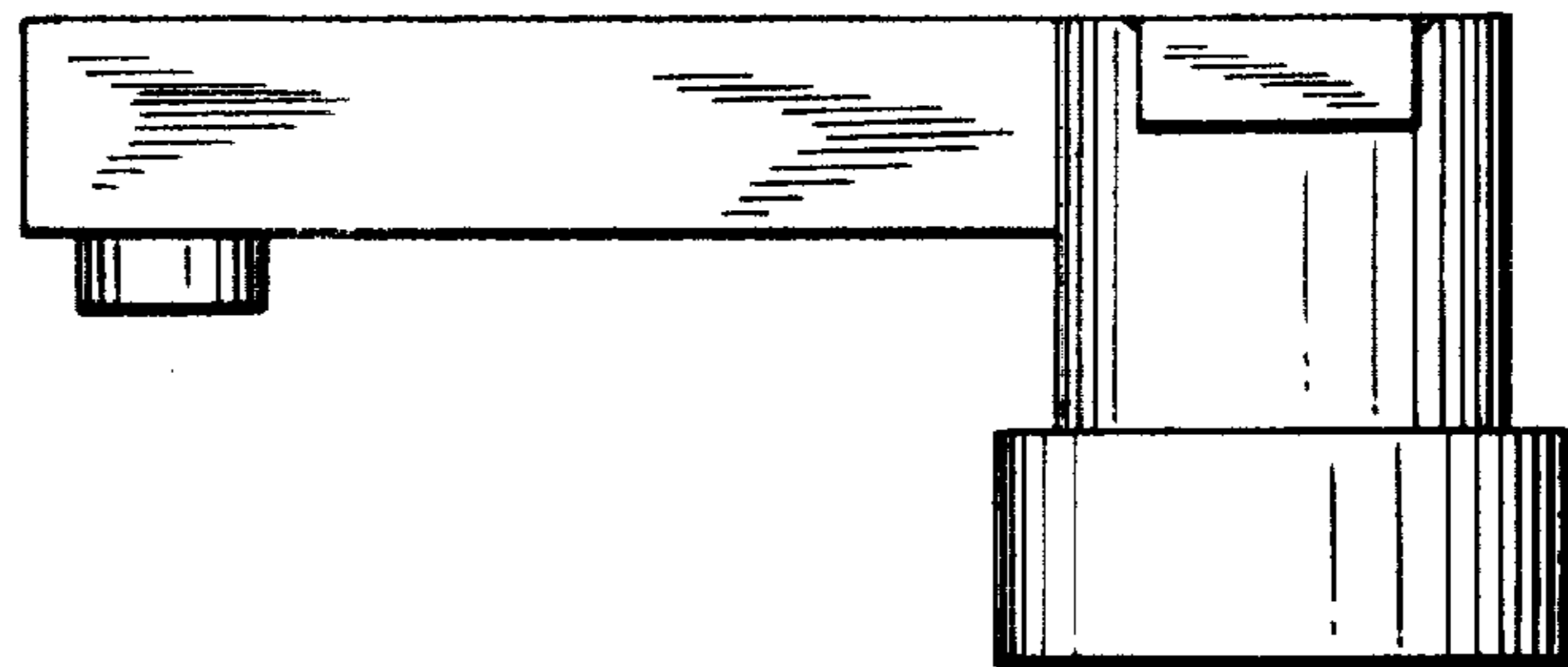


FIG. 5

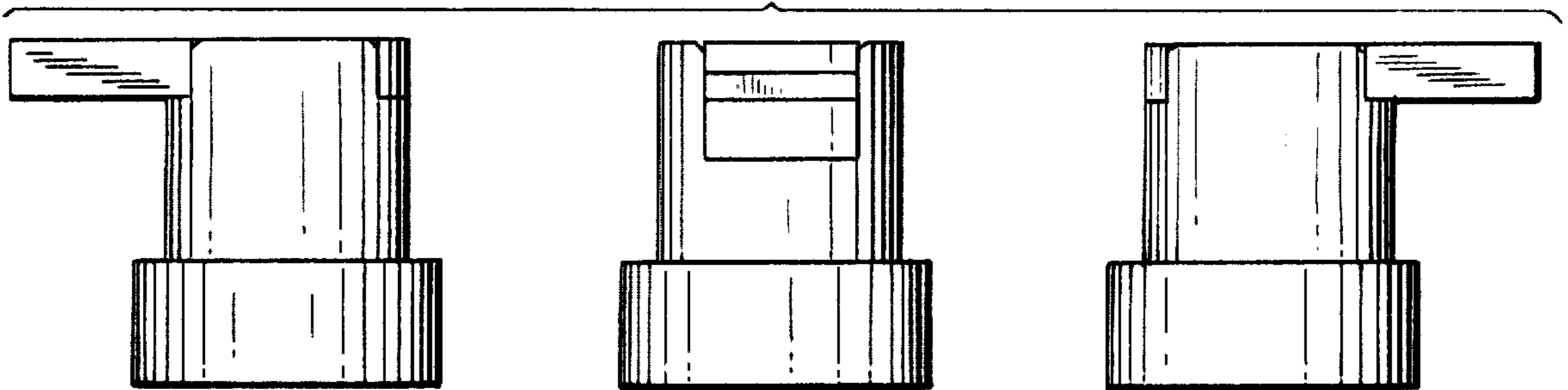


FIG. 6

