

[54] FAUCET

[75] Inventor: Stanley M. Paul, Rye, N.Y.

[73] Assignee: Paul Associates, Inc., Long Island City, N.Y.

[**] Term: 14 Years

[21] Appl. No.: 274,580

[22] Filed: Jun. 17, 1981

[51] Int. Cl. D23-01

[52] U.S. Cl. D23/23

[58] Field of Search D23/23-32;
4/191, 192; 137/606, 801

[56] References Cited

U.S. PATENT DOCUMENTS

D. 65,301	7/1924	Ross	D23/23
D. 185,503	6/1959	Kohler	D23/23
D. 193,607	9/1962	Zeigler	D23/23
D. 193,757	10/1962	Armstrong	D23/23
D. 200,754	3/1965	Landell	D23/23

D. 204,441	4/1966	Harvey et al.	D23/23
D. 265,230	6/1982	Paul	D23/25
D. 265,231	6/1982	Paul	D23/25
3,779,278	12/1973	Hill	137/606

OTHER PUBLICATIONS

Domestic Engineering, Sep. 1961, bottom left item.

Primary Examiner—James R. Largen
Attorney, Agent, or Firm—Blum, Kaplan, Friedman,
Silberman & Beran

[57] CLAIM

The ornamental design for a faucet, as shown.

DESCRIPTION

FIG. 1 is a front perspective view of a faucet embodying my new design;

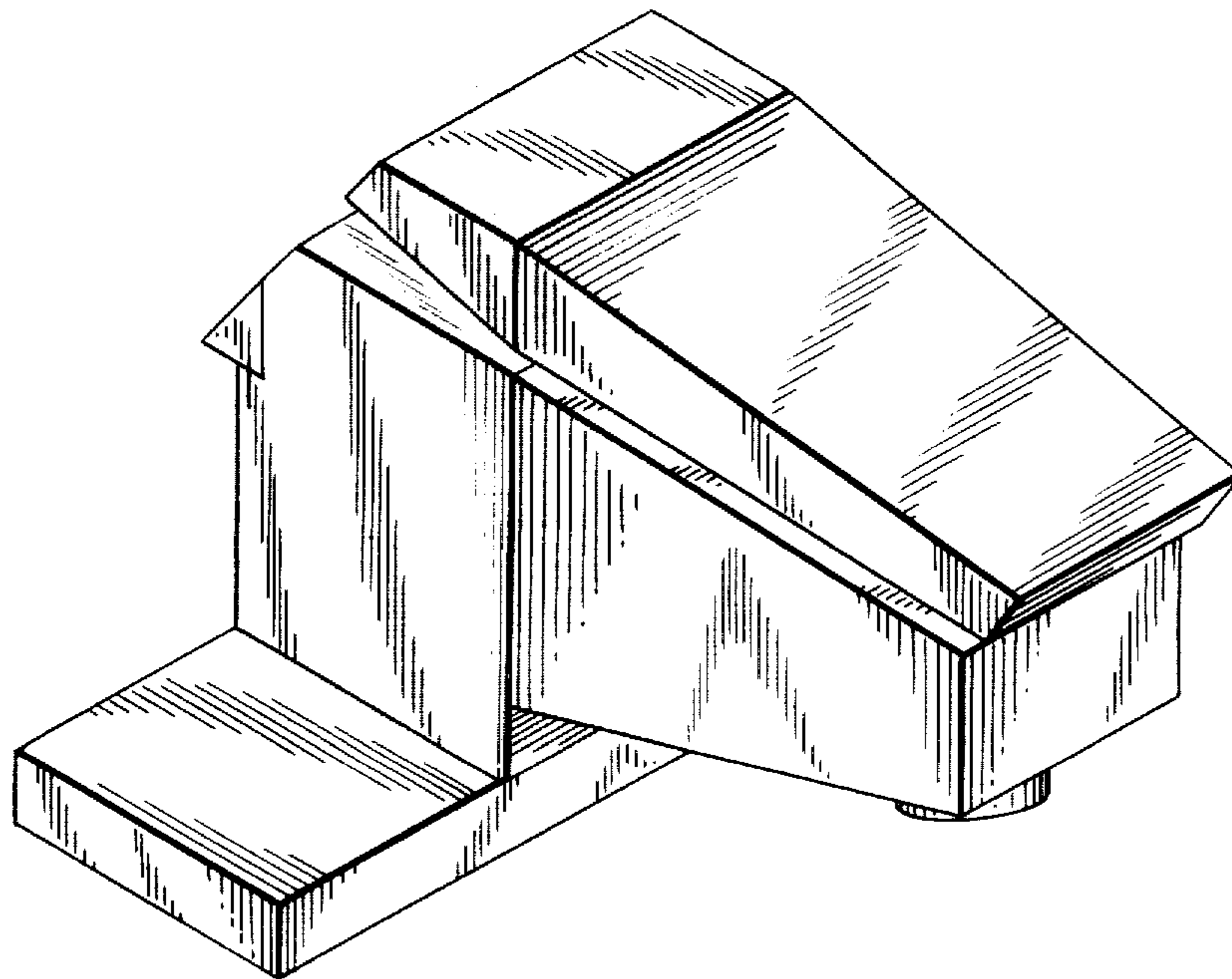
FIG. 2 is a top plan view thereof;

FIG. 3 is a front elevational view thereof;

FIG. 4 is a side elevational view thereof;

FIG. 5 is a rear elevational view thereof; and

FIG. 6 is a bottom plan view thereof.



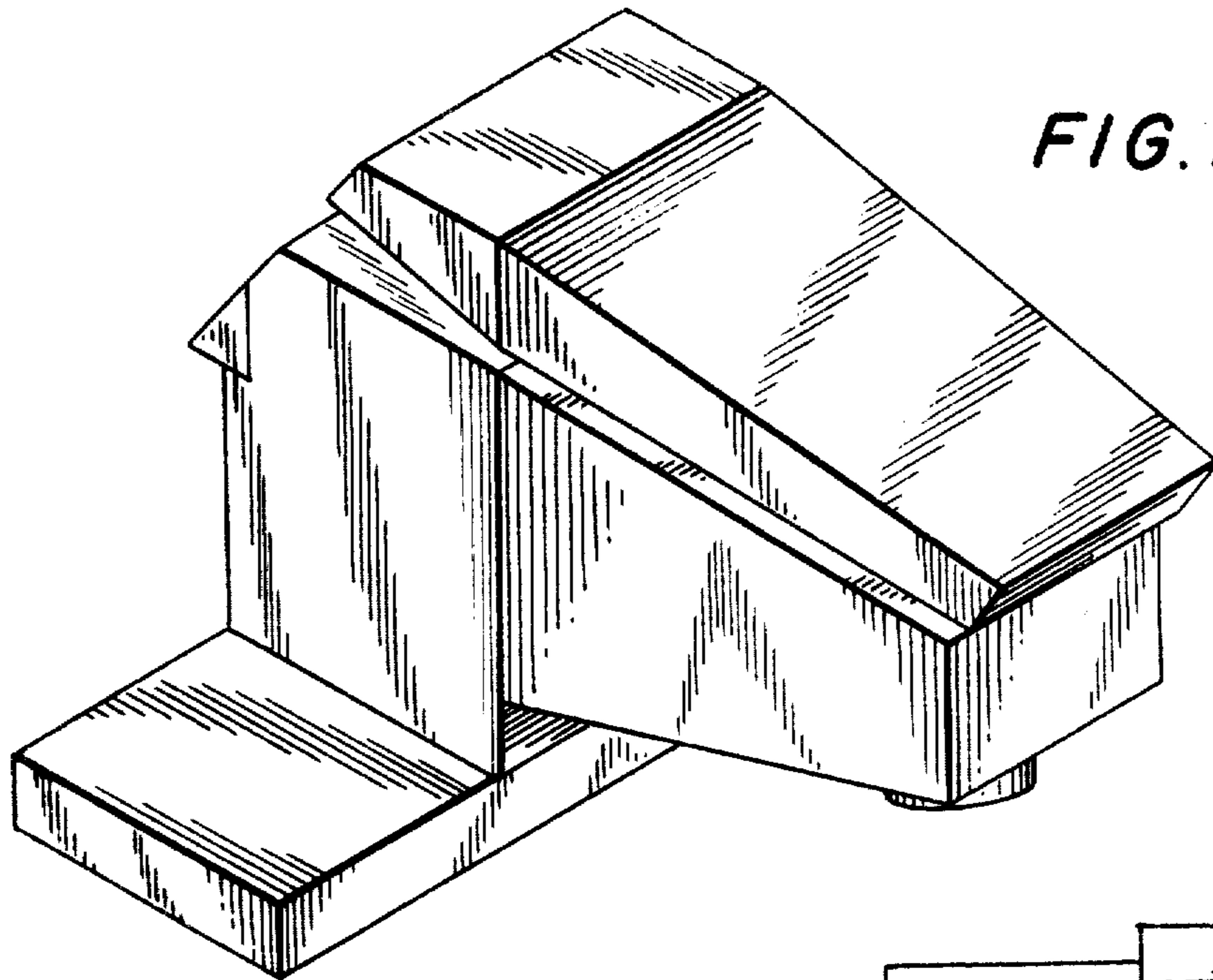


FIG. 1

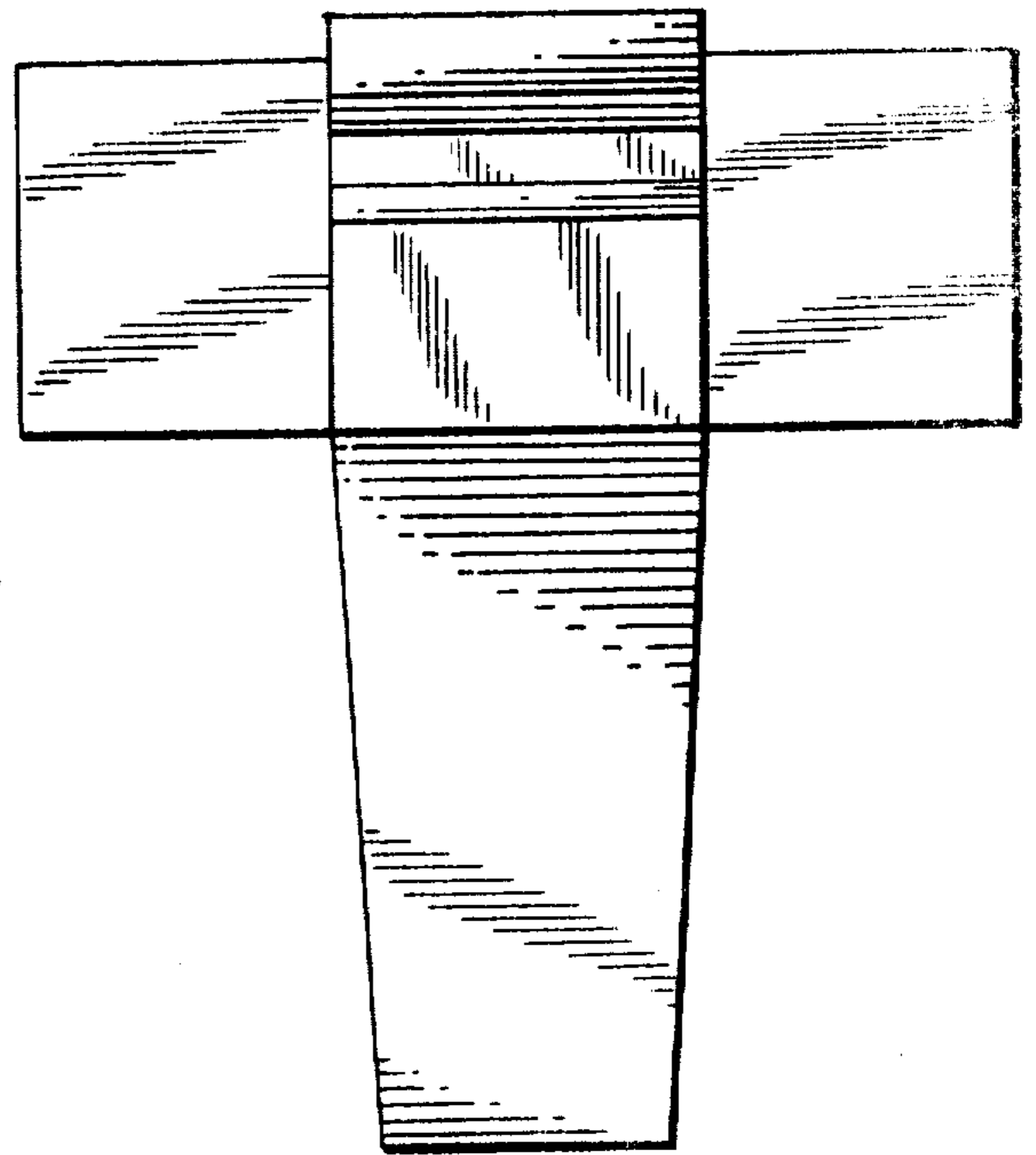


FIG. 2

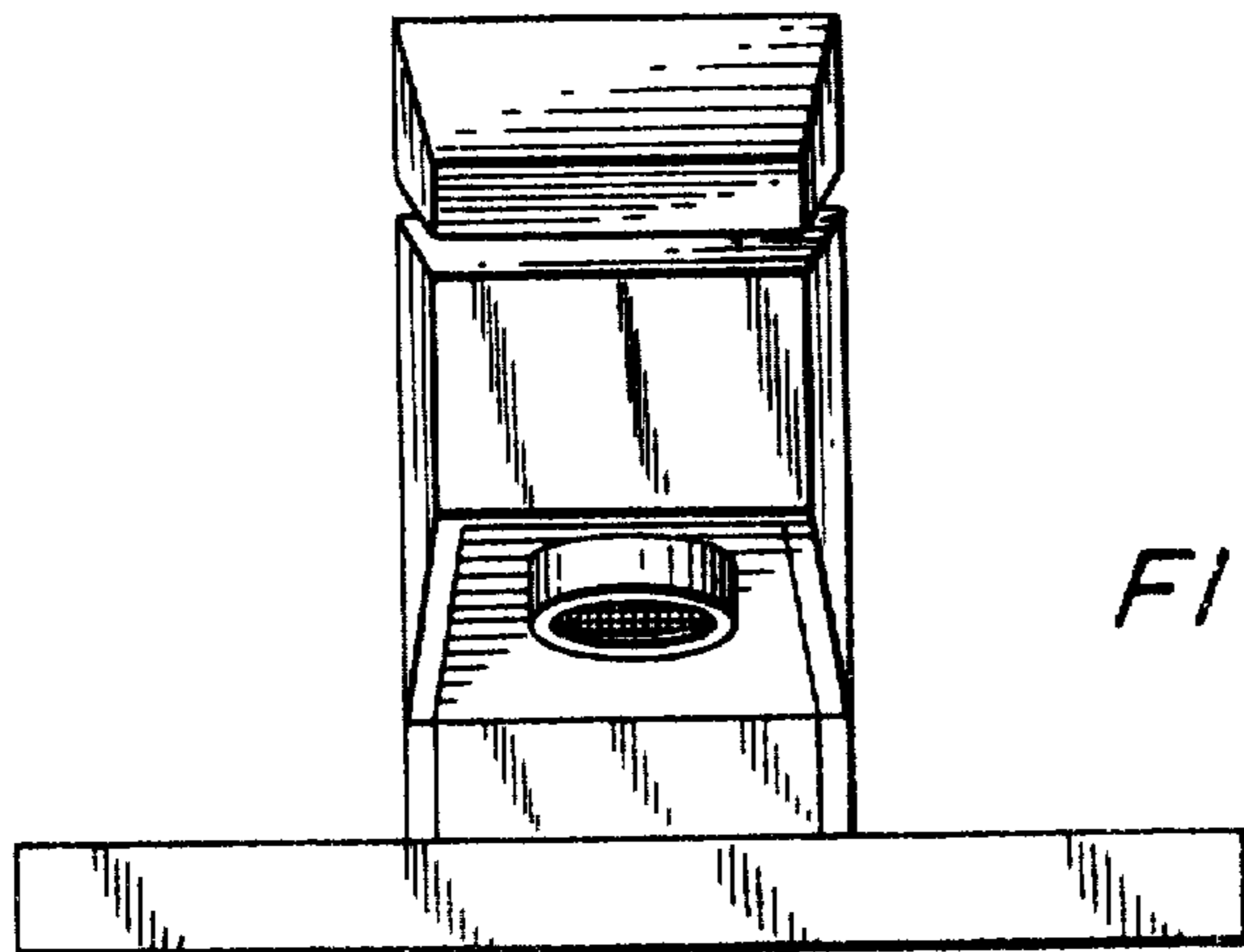


FIG. 3

FIG. 4

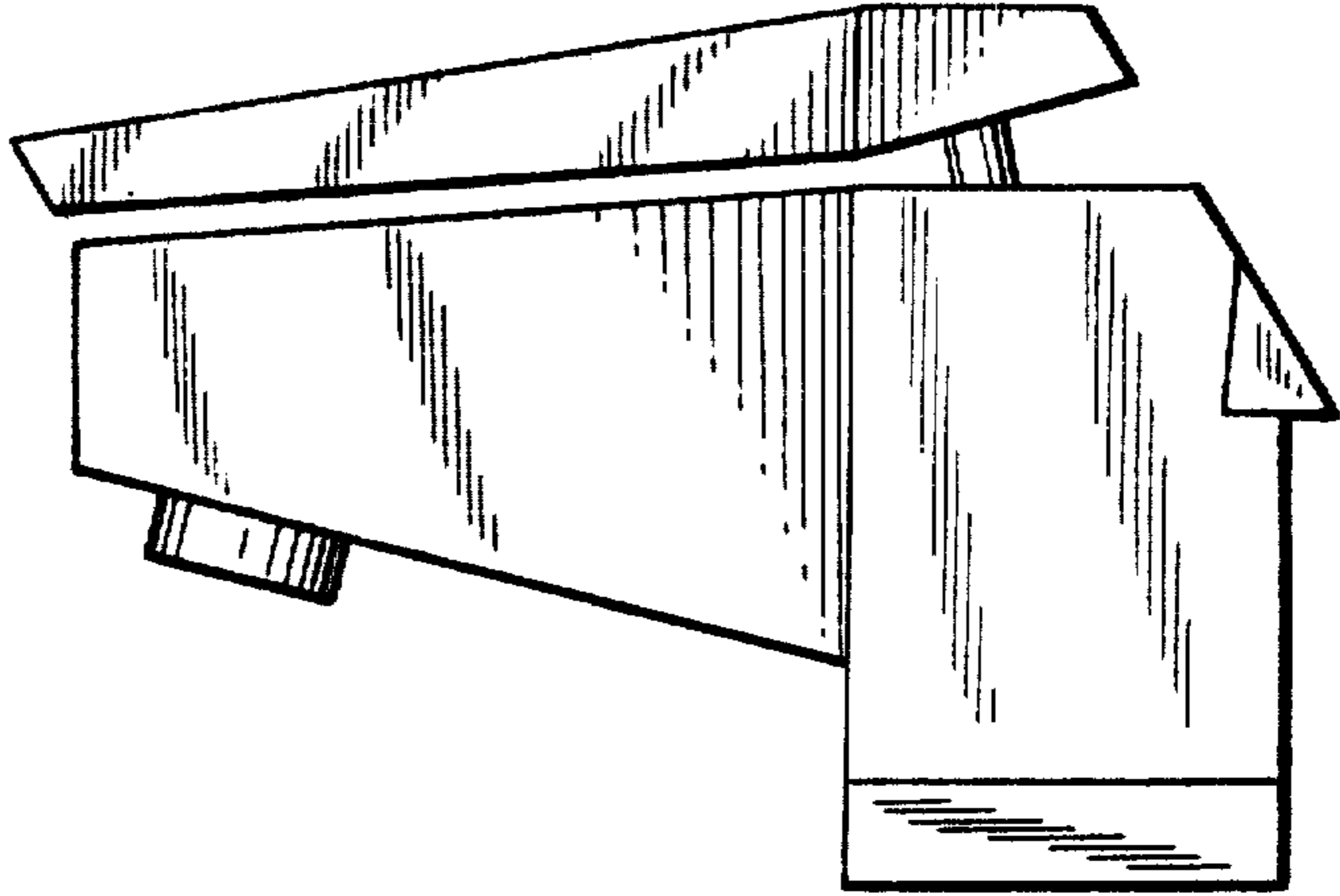


FIG. 5

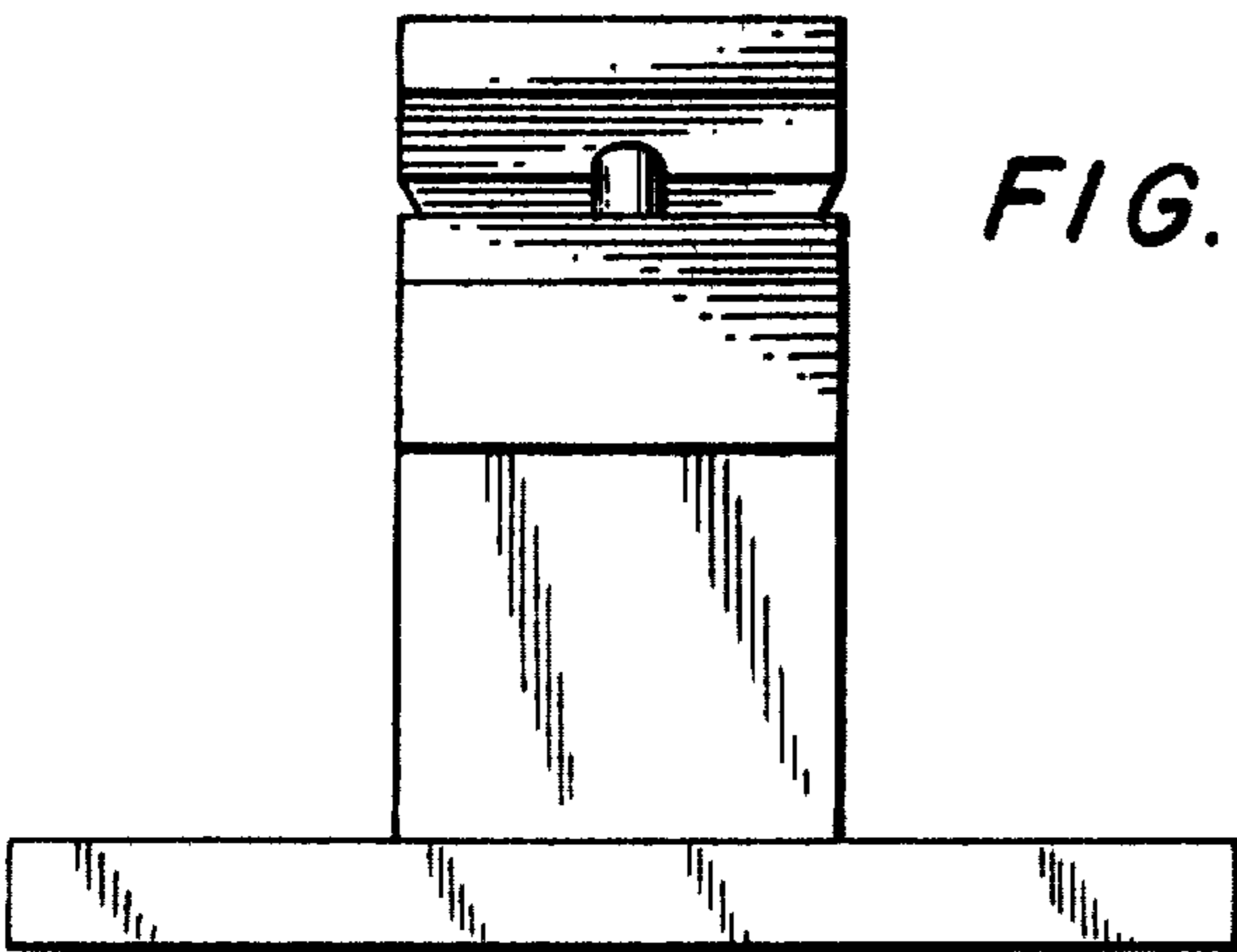


FIG. 6

