

[54] TOY VEHICLE

[75] Inventor: Marc Rivollet, Oyonnax, France

[73] Assignee: Etablissements Fernand Berchet, Oyonnax, France

[**] Term: 14 Years

[21] Appl. No.: 282,749

[22] Filed: Jul. 13, 1981

[30] Foreign Application Priority Data

Jan. 12, 1981 [FR] France 810082

[51] Int. Cl. D21-01

[52] U.S. Cl. D21/76

[58] Field of Search D21/59, 76, 78, 80, D21/81; 280/1.11 R, 1.208, 87.01, 87.02 R; 46/222

[56] References Cited

U.S. PATENT DOCUMENTS

D. 154,070	7/1949	Simpson	D21/80
D. 235,675	7/1975	Moustakas	D21/71
D. 257,374	10/1980	Nottingham et al.	D21/80
D. 264,234	5/1982	Nakao et al.	D21/78

Primary Examiner—Charles A. Rademaker
Attorney, Agent, or Firm—Parkhurst & Oliff

[57] CLAIM

The ornamental design for a toy vehicle, as shown.

DESCRIPTION

FIG. 1 is a front perspective view of a toy vehicle showing my new design;
FIG. 2 is a top plan view thereof;
FIG. 3 is a bottom plan view thereof;
FIG. 4 is a side elevational view thereof;
FIG. 5 is a front elevational view thereof; and
FIG. 6 is a rear elevational view thereof.

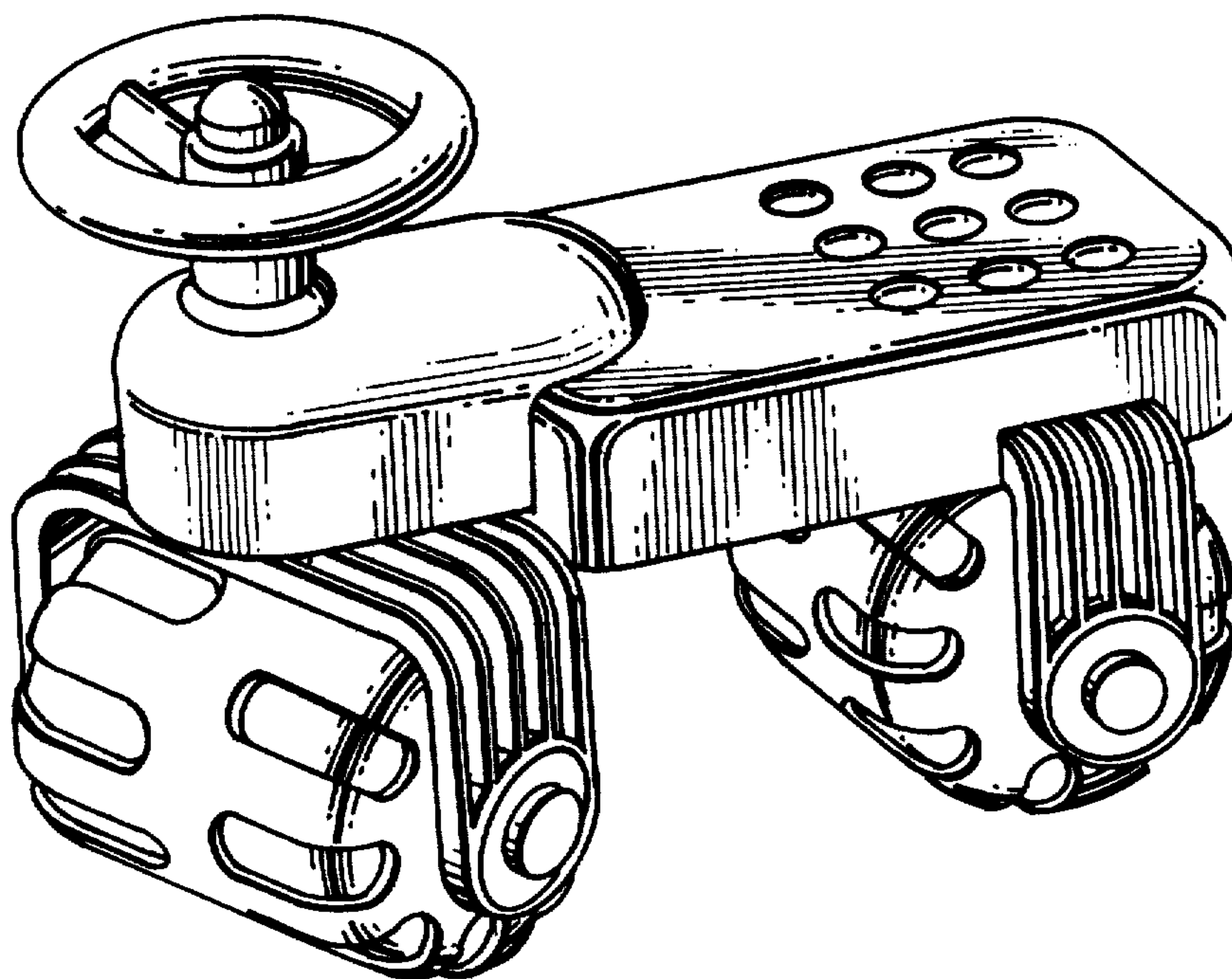


FIG. 1

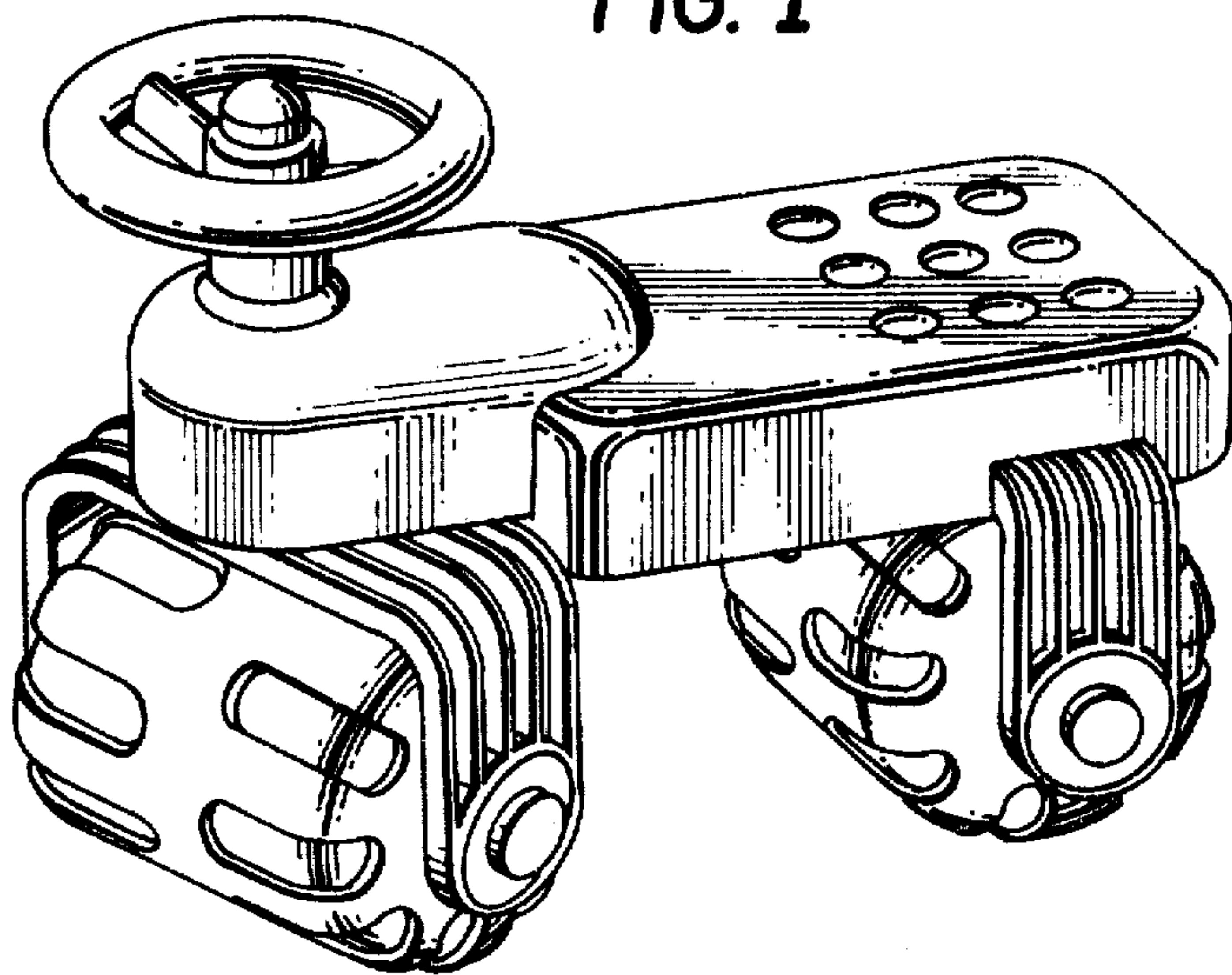


FIG. 2

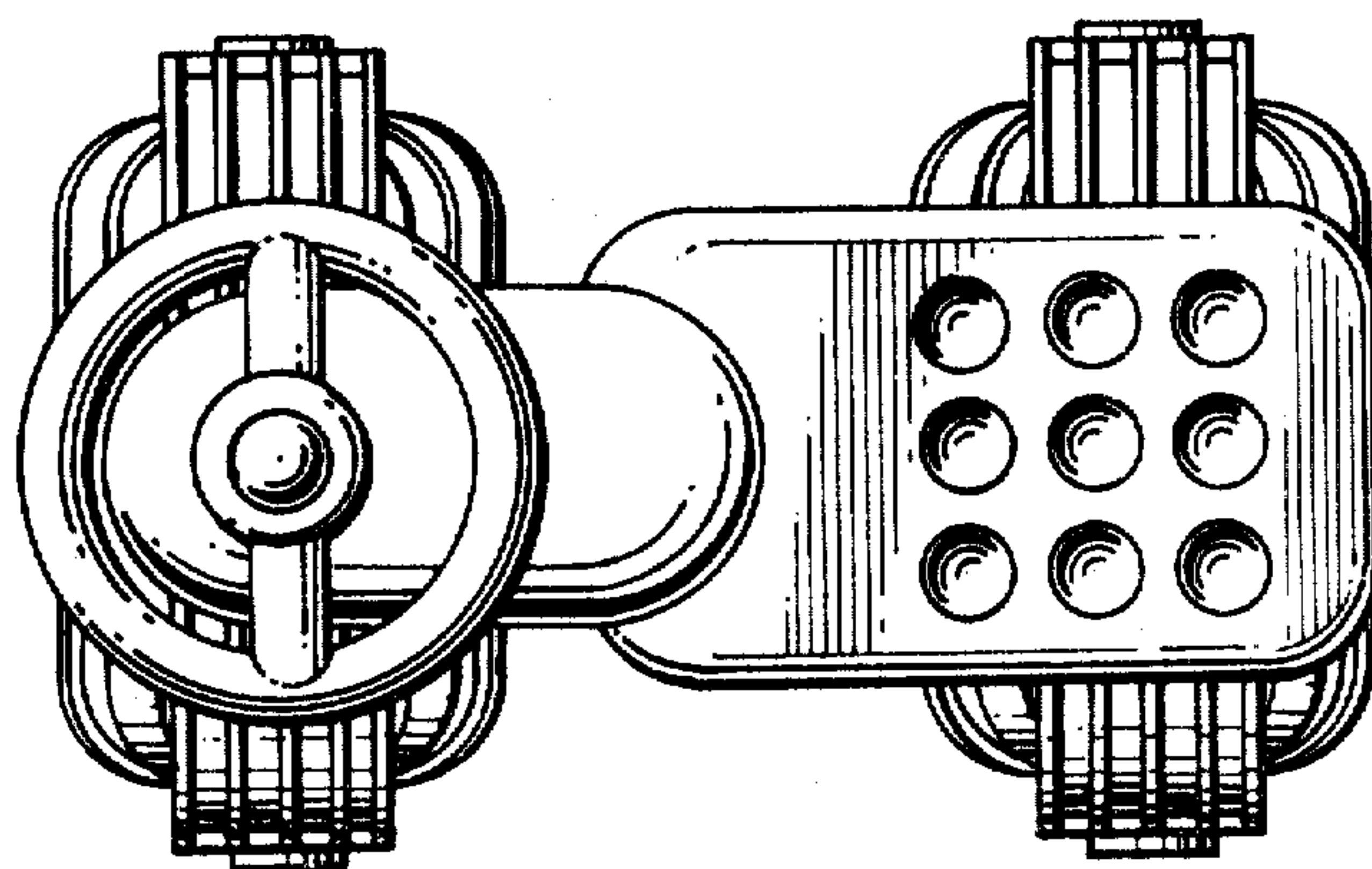
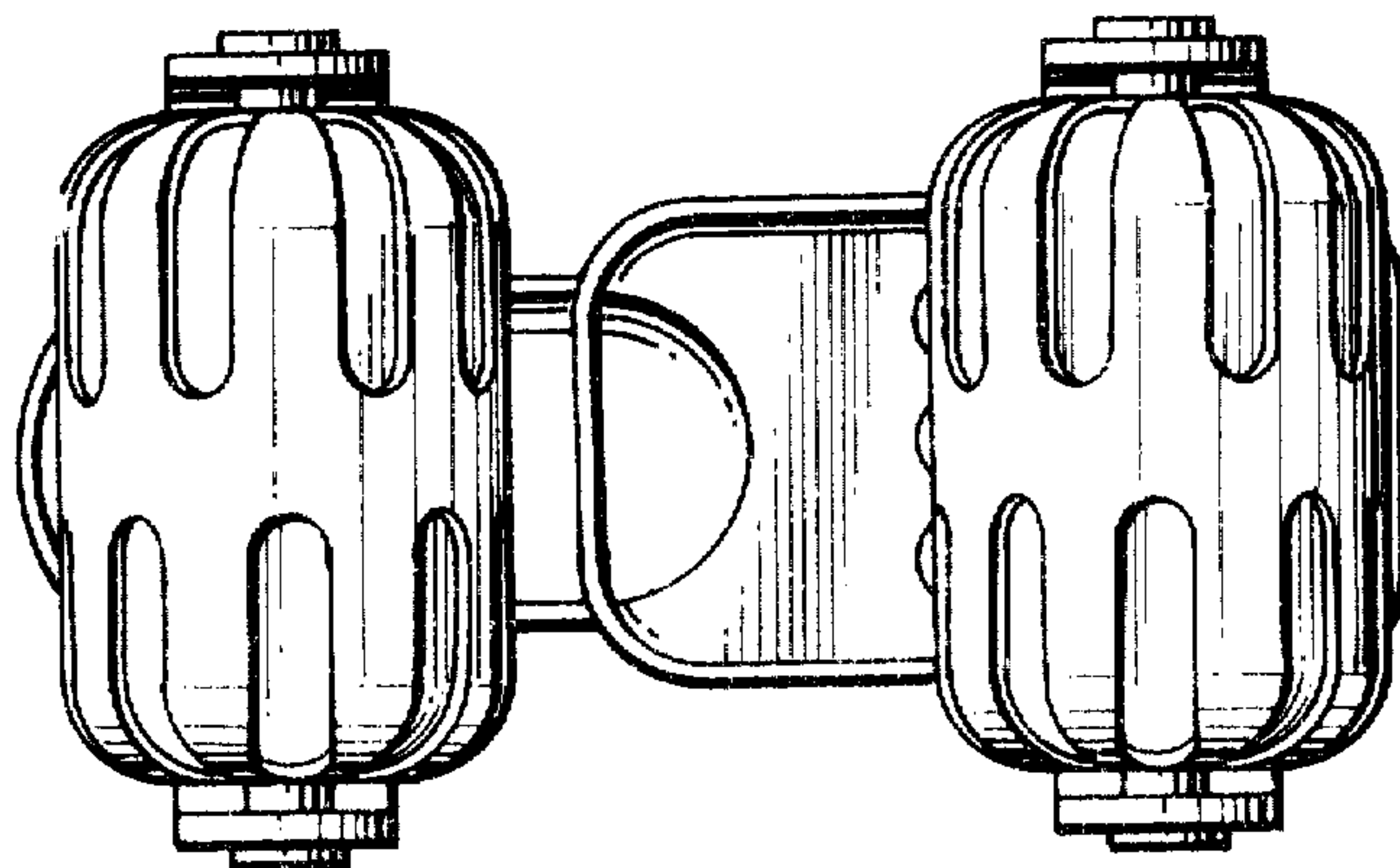


FIG. 3



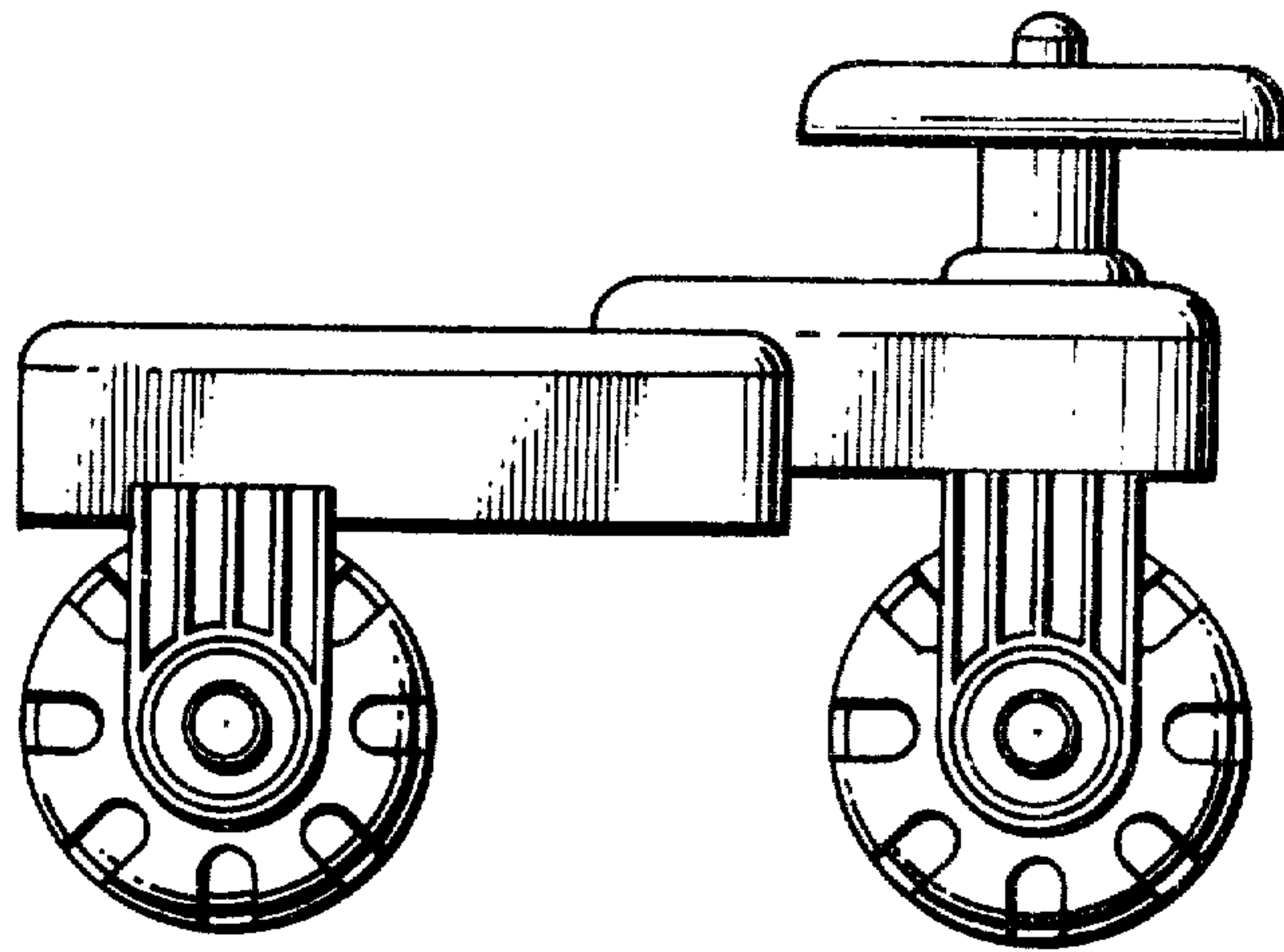


FIG. 4

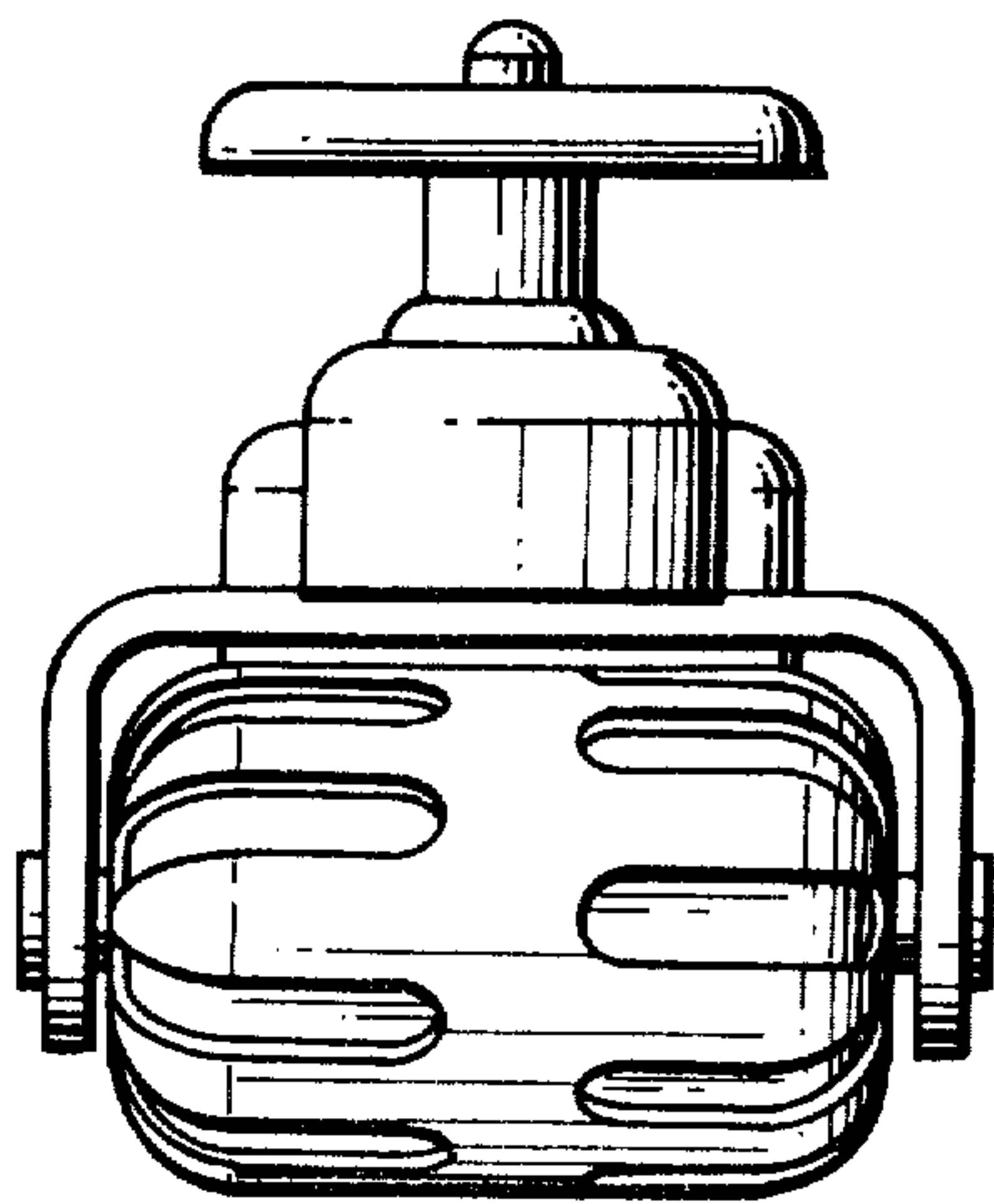


FIG. 5

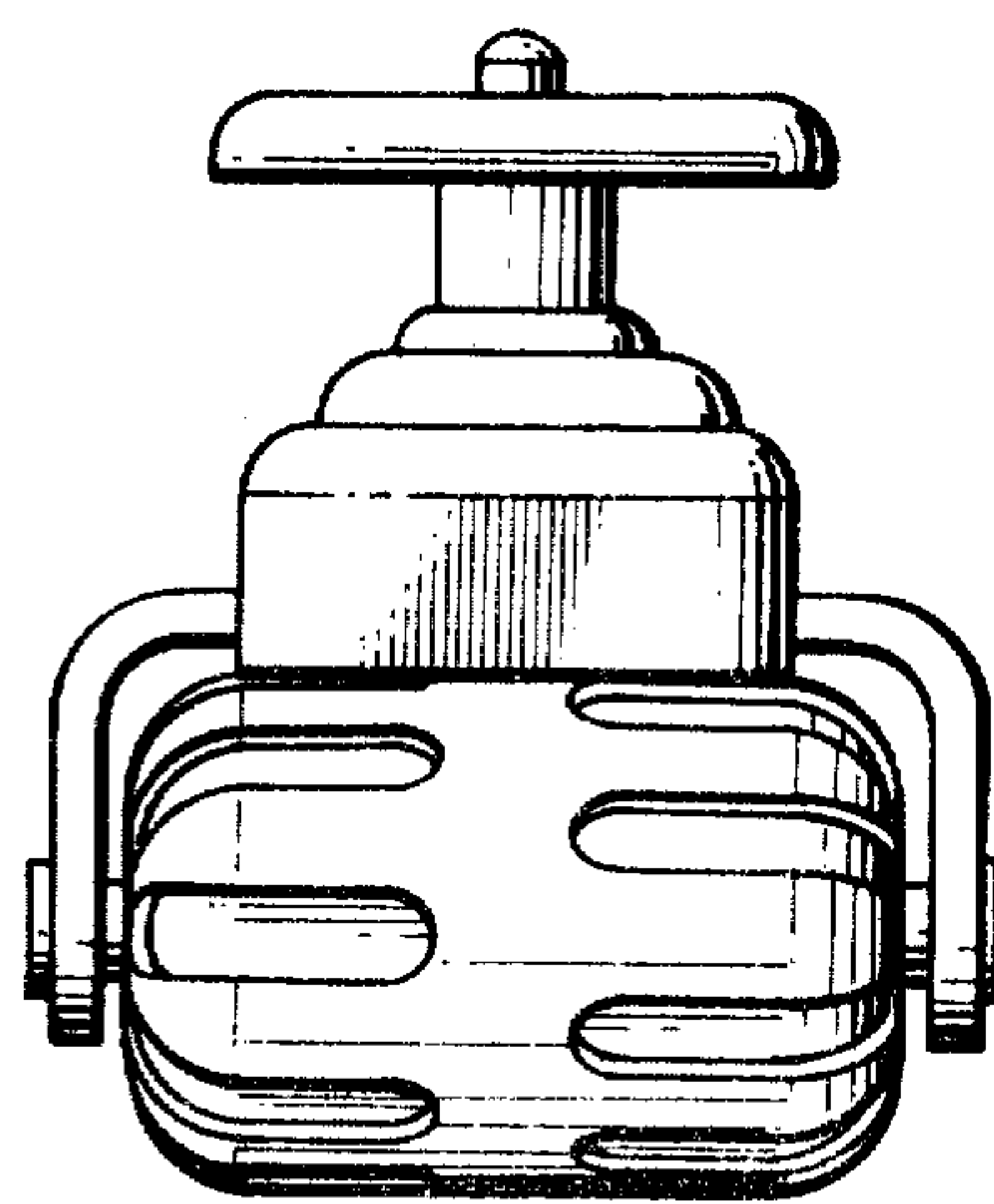


FIG. 6