

[54] ADJUSTABLE SUPPORT SURFACE FOR HOLDING REFERENCE OR PRINTOUT MATERIAL

[75] Inventors: John B. Manning, Worcester; David K. Crabbe, Millbury, both of Mass.

[73] Assignee: Wright Line Inc., Worcester, Mass.

[\*\*] Term: 14 Years

[21] Appl. No.: 298,136

[22] Filed: Aug. 31, 1981

[51] Int. Cl. .... D19-02

[52] U.S. Cl. .... D19/91; D6/180; D19/86

[58] Field of Search ..... D19/75, 90, 91, 86-88; 248/441 A, 441 D, 447, 454, 455; 40/341; 211/42, 43; D6/180

[56] References Cited

U.S. PATENT DOCUMENTS

|            |         |                  |        |
|------------|---------|------------------|--------|
| D. 118,443 | 1/1940  | Fisk et al. .... | D6/180 |
| D. 221,191 | 7/1971  | Nutt .....       | D19/91 |
| D. 253,775 | 12/1979 | Rieu .....       | D19/91 |
| D. 262,978 | 2/1982  | Nagley .....     | D19/91 |
| 3,914,888  | 10/1975 | Garrison .....   | D19/91 |

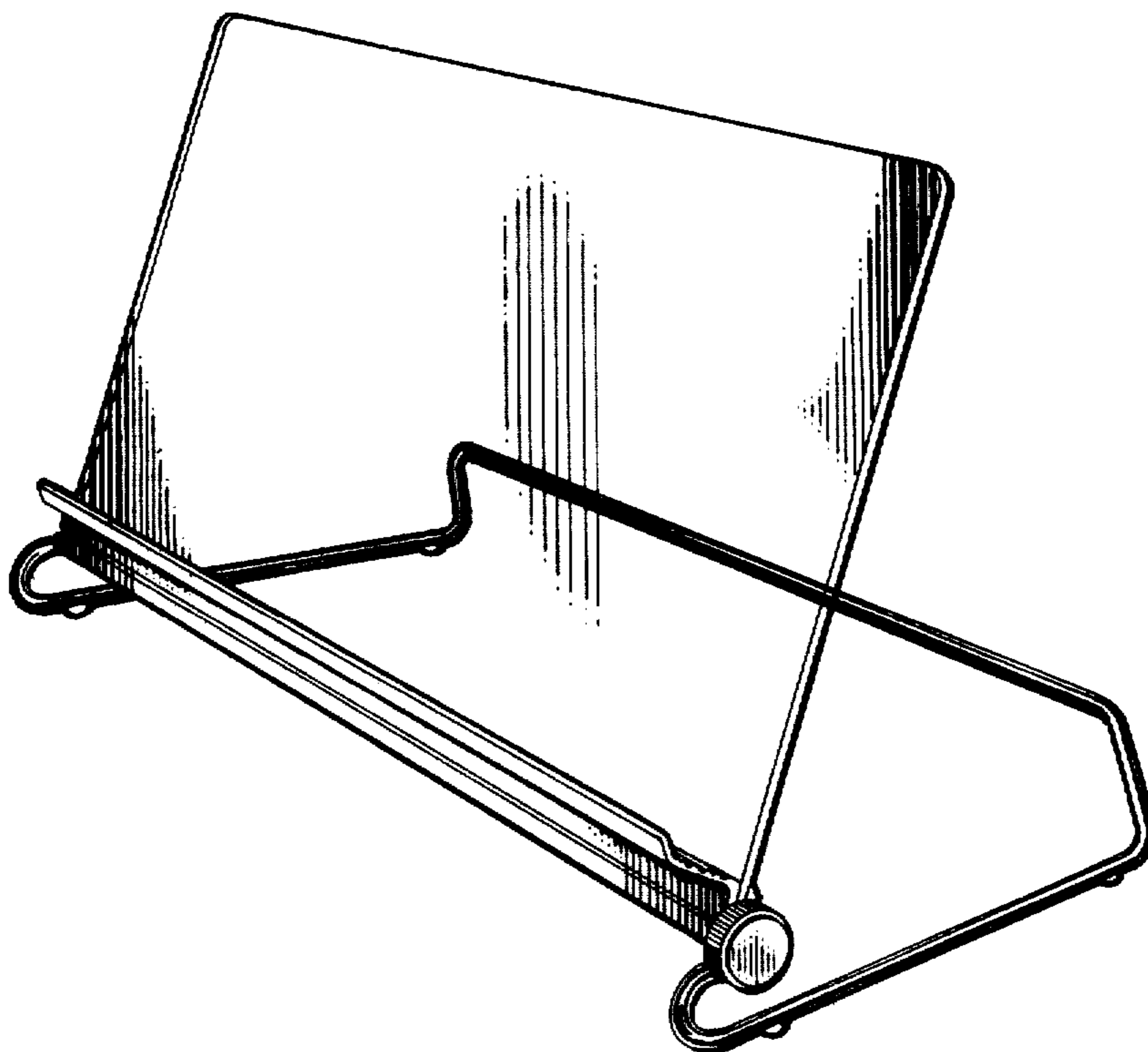
Primary Examiner—George P. Word  
Attorney, Agent, or Firm—Milton E. Gilbert; Gary E. Ross

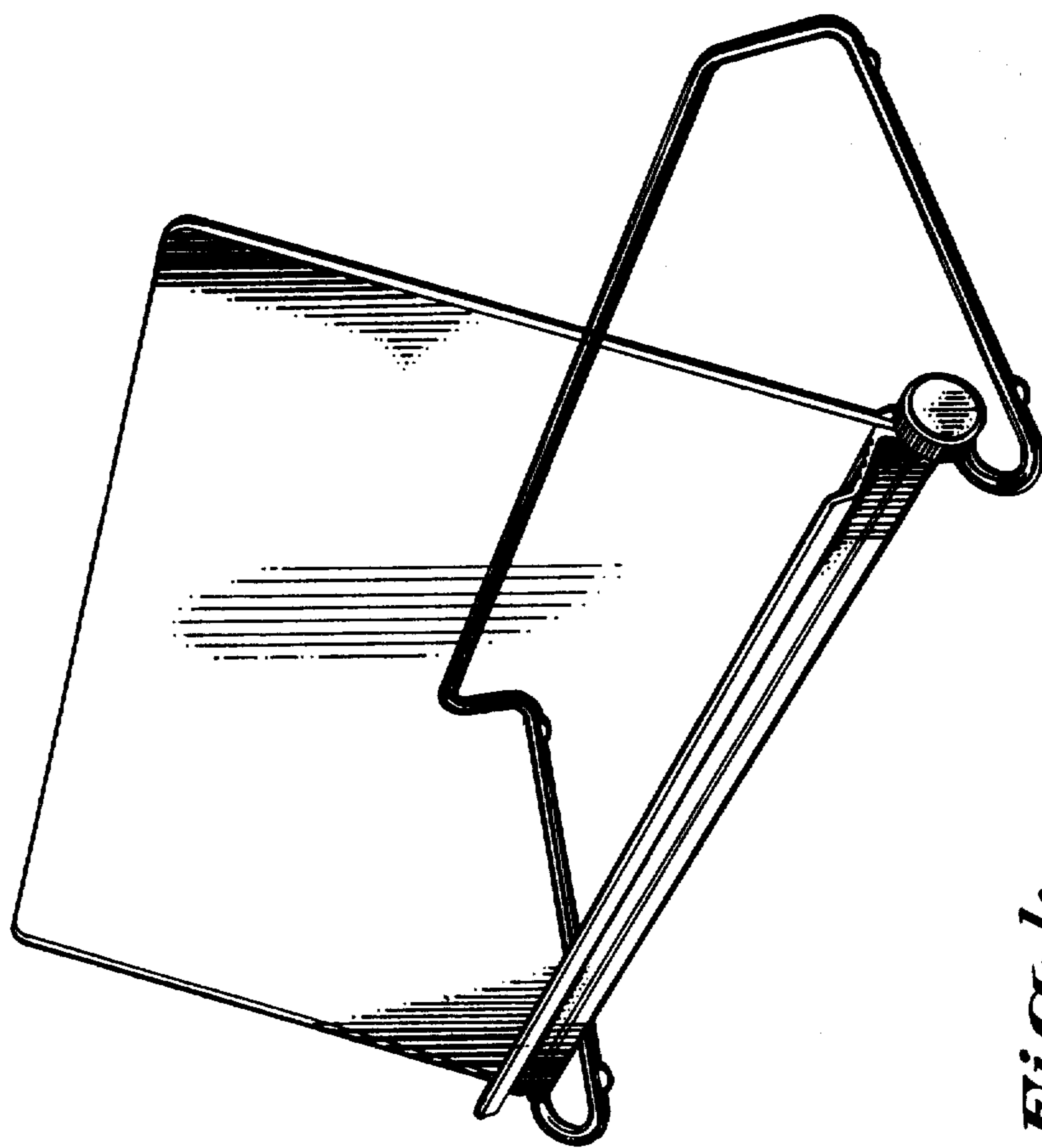
[57] CLAIM

The ornamental design for an adjustable support surface for holding reference or printout material, as shown and described.

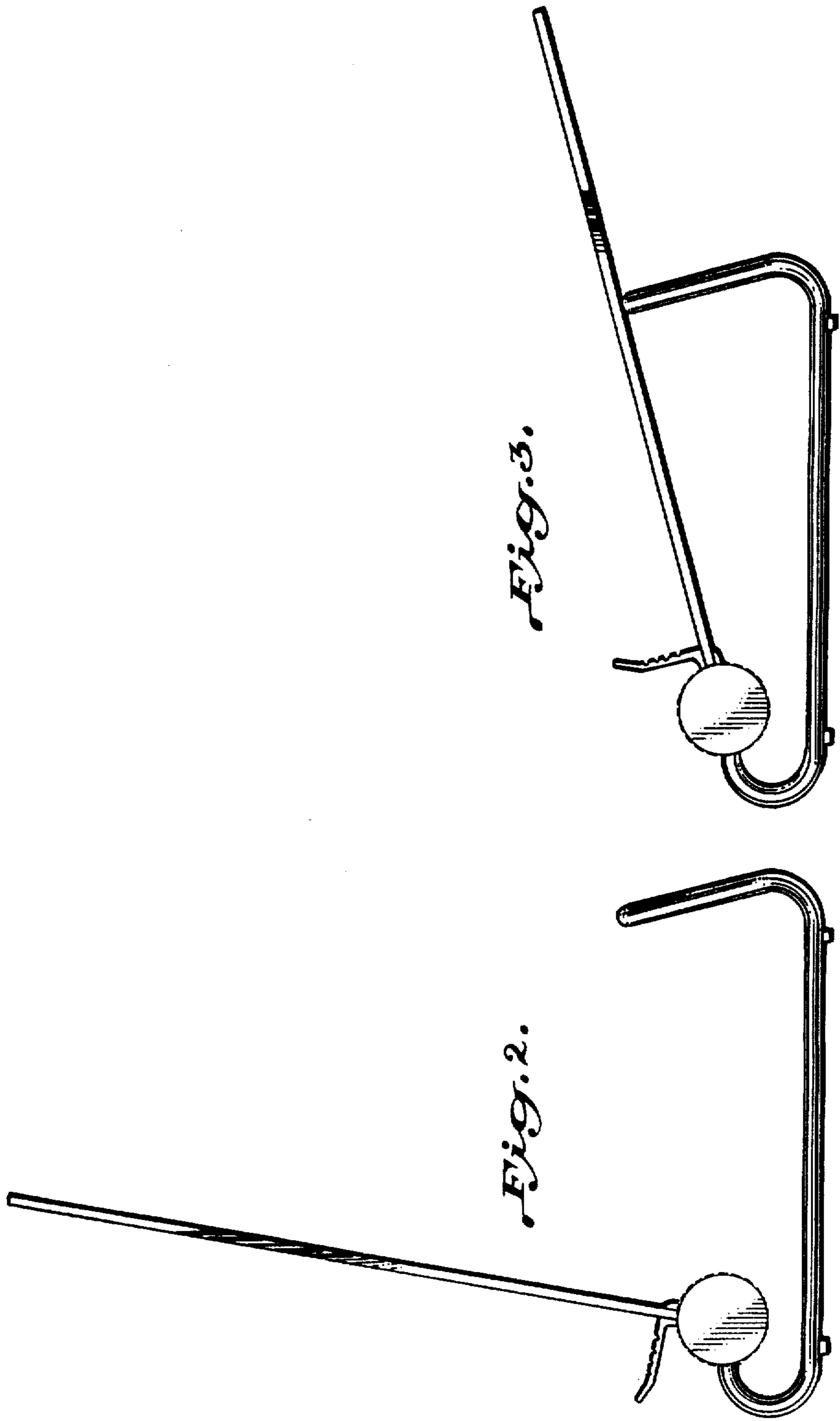
DESCRIPTION

FIG. 1 is a perspective view of an adjustable support surface for holding reference or printout material showing out new design; FIG. 2 is a right side elevational view thereof; and FIG. 3 is a right side elevational view similar to FIG. 2 with the support surface in an alternate position.





*Fig. 1.*



*Fig. 3.*

*Fig. 2.*