

[54] **PHOTOGRAPHIC PROCESSOR**

[75] Inventor: **Montague Everett, Greenwich, Conn.**
 [73] Assignee: **North American Philips Corporation, New York, N.Y.**
 [**] Term: **14 Years**

[21] Appl. No.: **271,464**
 [22] Filed: **Jun. 8, 1981**

[51] Int. Cl. **D16-04**
 [52] U.S. Cl. **D16/33**
 [58] Field of Search **D16/27, 29, 33, 34, D16/35, 37; 354/308, 322**

[56]

References Cited
U.S. PATENT DOCUMENTS

D. 108,282	2/1938	Finch	D16/27 X
D. 189,895	3/1961	Benson	D16/29
D. 200,449	2/1965	Bravo	D16/34
D. 221,024	6/1971	Lee	D16/34
D. 240,080	5/1976	Brown	D16/27
D. 265,739	8/1982	Koyama	D16/27
3,136,237	6/1964	Moon	D16/27 X
3,165,998	1/1965	Reick	354/305
3,826,300	7/1974	Lee	354/308 X

Primary Examiner—Nelson C. Holtje
Attorney, Agent, or Firm—Jack E. Haken

[57]

CLAIM

The ornamental design for a photographic processor, as shown and described.

DESCRIPTION

FIG. 1 is a front and top-left perspective view of a photographic processor showing my new design; FIG. 2 is a rear and top-right perspective view thereof.

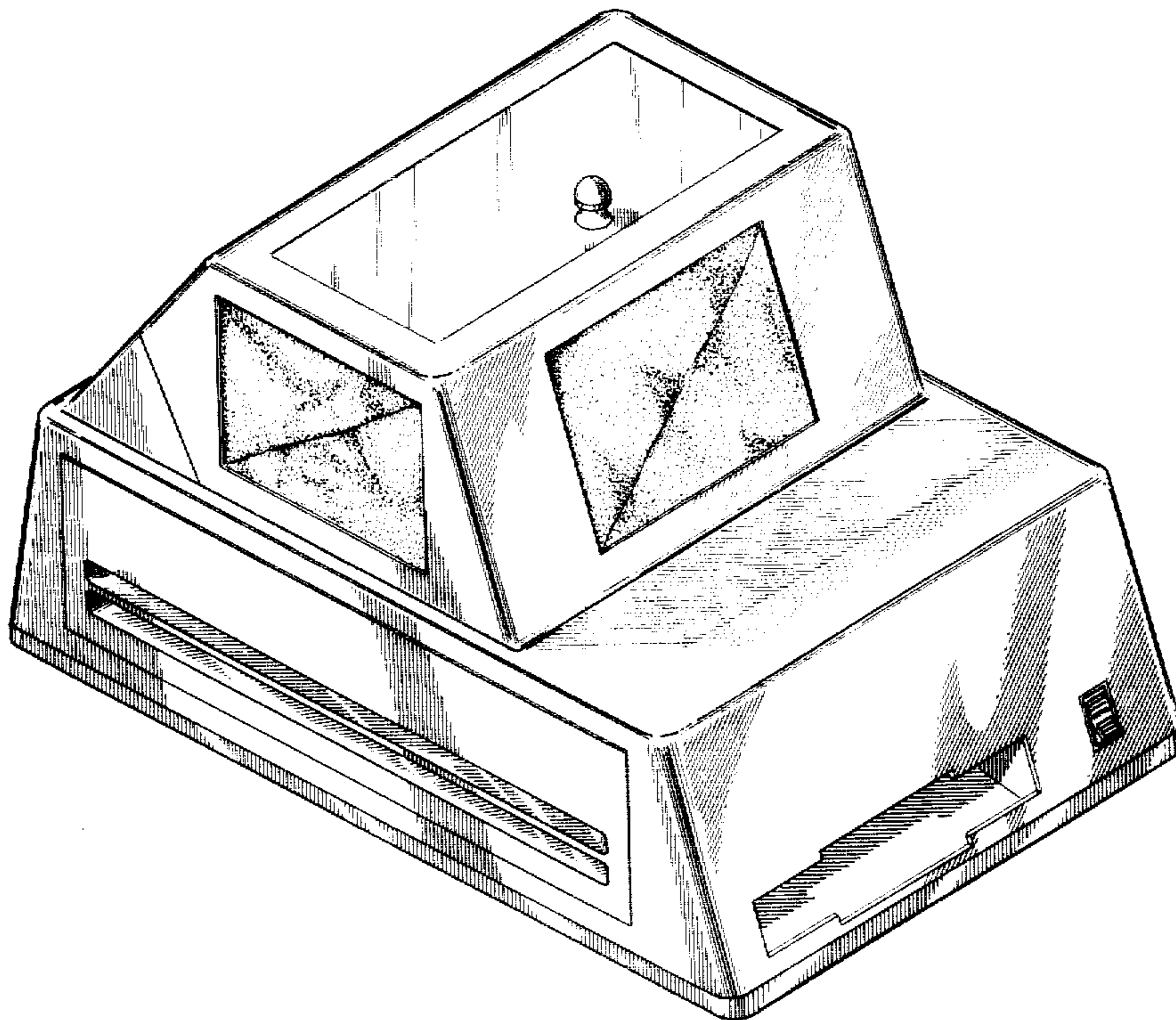
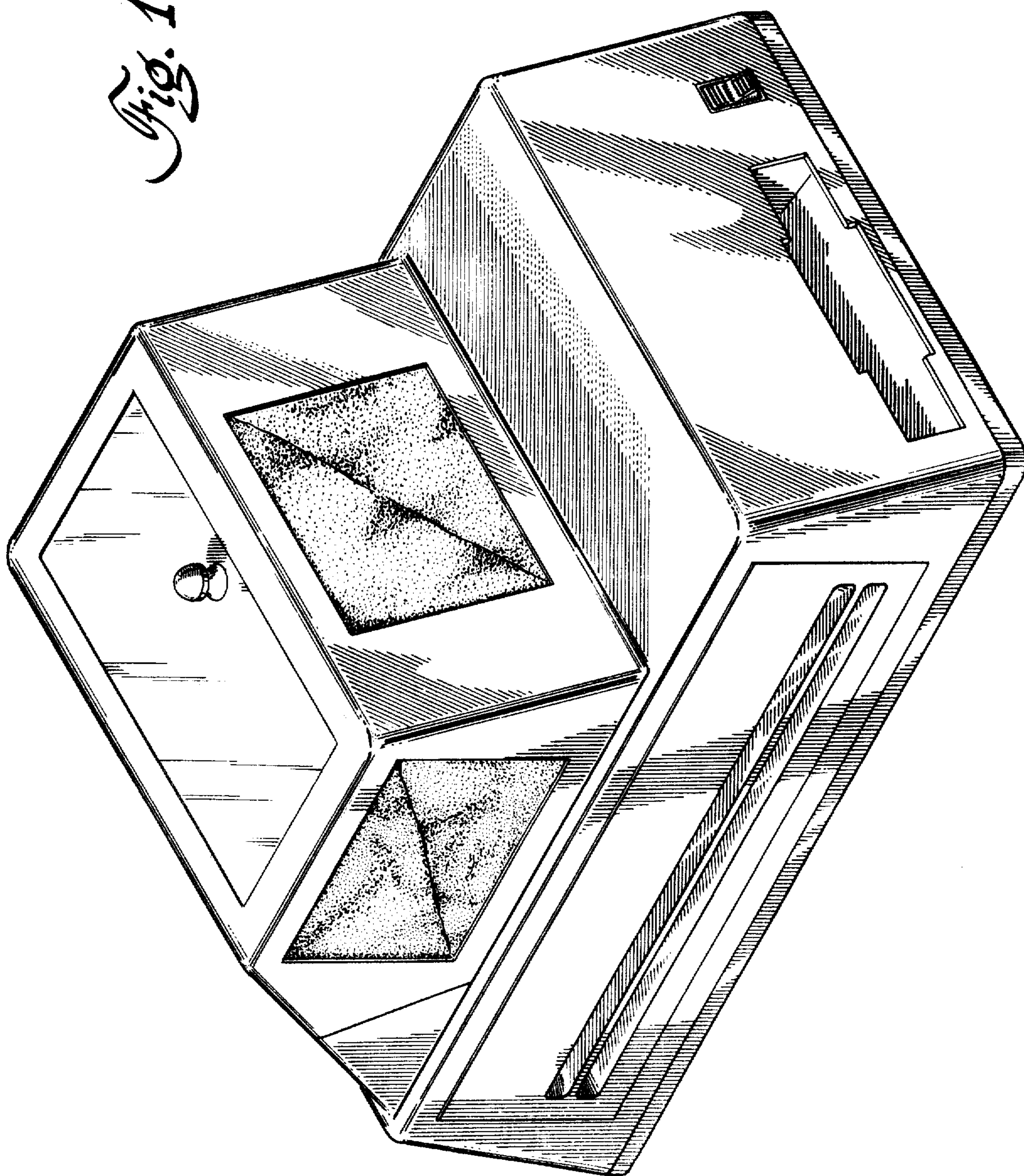


Fig. 1



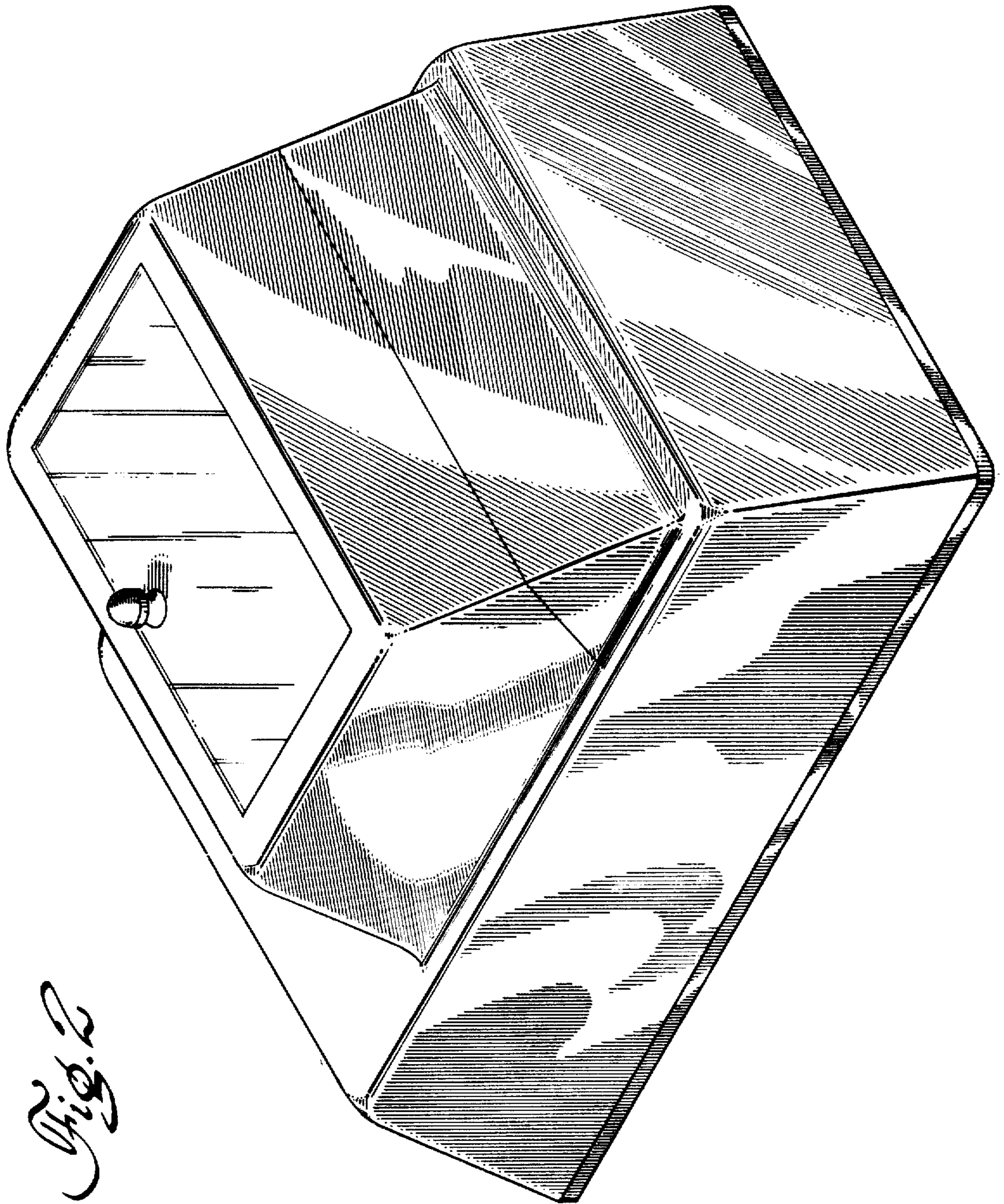


Fig. 2