

[54] **COMBINED CUTTING TOOLS AND HOLDER THEREFOR**

[76] **Inventor:** Charles L. Green, 7536 Atoll Ave., North Hollywood, Calif. 91605

[**] **Term:** 14 Years

[21] **Appl. No.:** 226,625

[22] **Filed:** Jan. 21, 1981

[51] **Int. Cl.** D15-09

[52] **U.S. Cl.** D15/139; D15/140

[58] **Field of Search** D15/139, 140; 407/66, 407/67, 69, 102, 113, 114, 115

[56] **References Cited**

U.S. PATENT DOCUMENTS

D. 255,801	7/1980	Treloar	D15/140
1,434,782	11/1922	Norton	D15/140
3,136,031	6/1964	Cassidy	407/69
4,083,644	4/1978	Friedline	407/113

OTHER PUBLICATIONS

Talide Cemented Carbides Catalog 75-G; 6/1/75; p. 17; Tracer Insert, VNMG-432E (bottom half of page).

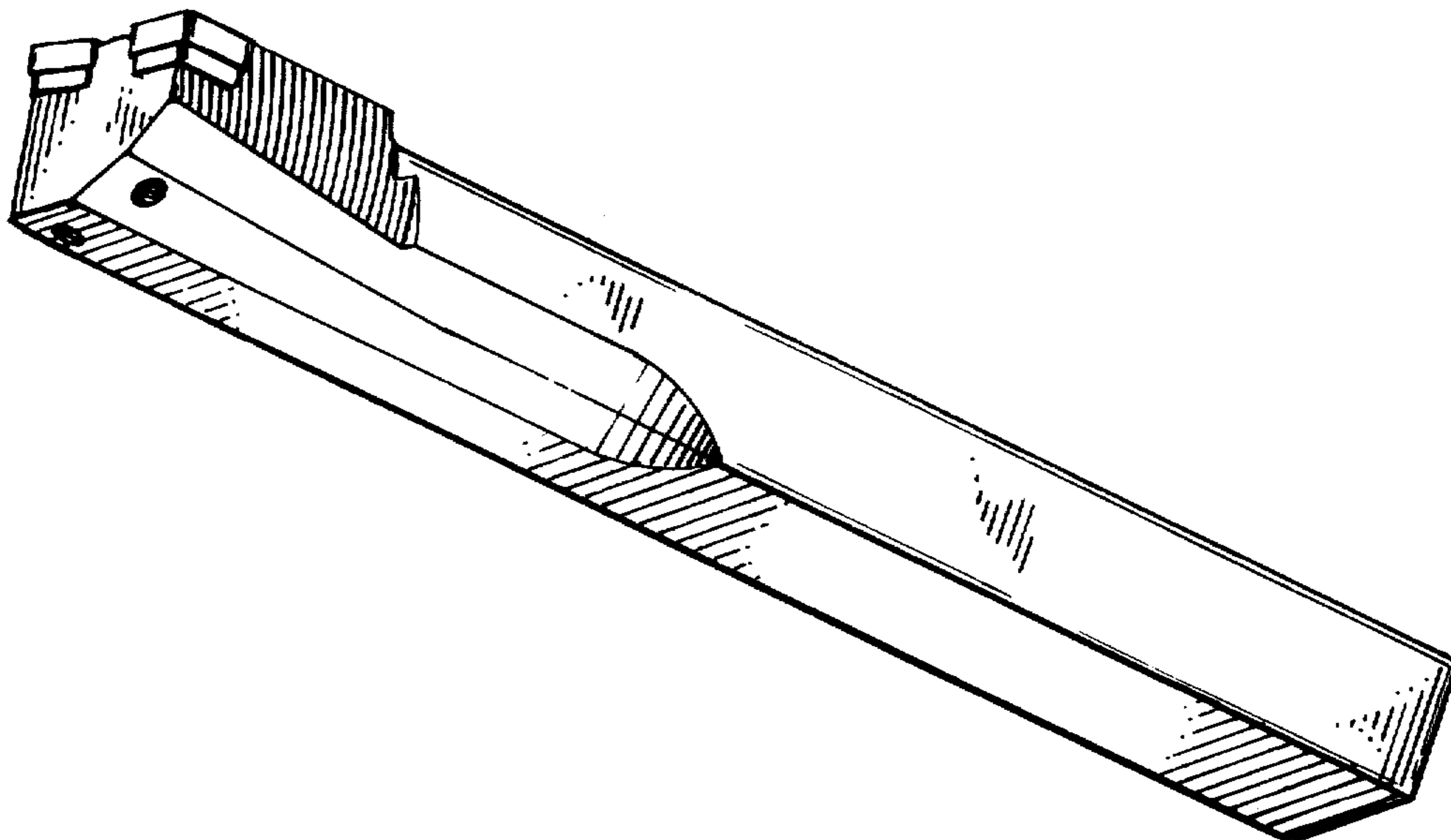
Primary Examiner—Wallace R. Burke
Assistant Examiner—Suzanne N. Gitlin
Attorney, Agent, or Firm—Grover A. Frater

[57] **CLAIM**

The ornamental design for combined cutting tools and holder therefor, substantially as shown.

DESCRIPTION

FIG. 1 is a reduced perspective of the combined cutting tools and holder therefor showing my new design; FIG. 2 is a front view thereof; FIG. 3 is a side view taken from the right of FIG. 1; FIG. 4 is a side view taken from the left of FIG. 1; FIG. 5 is a bottom view thereof; FIG. 6 is a rear view thereof; and FIG. 7 is a top view thereof.



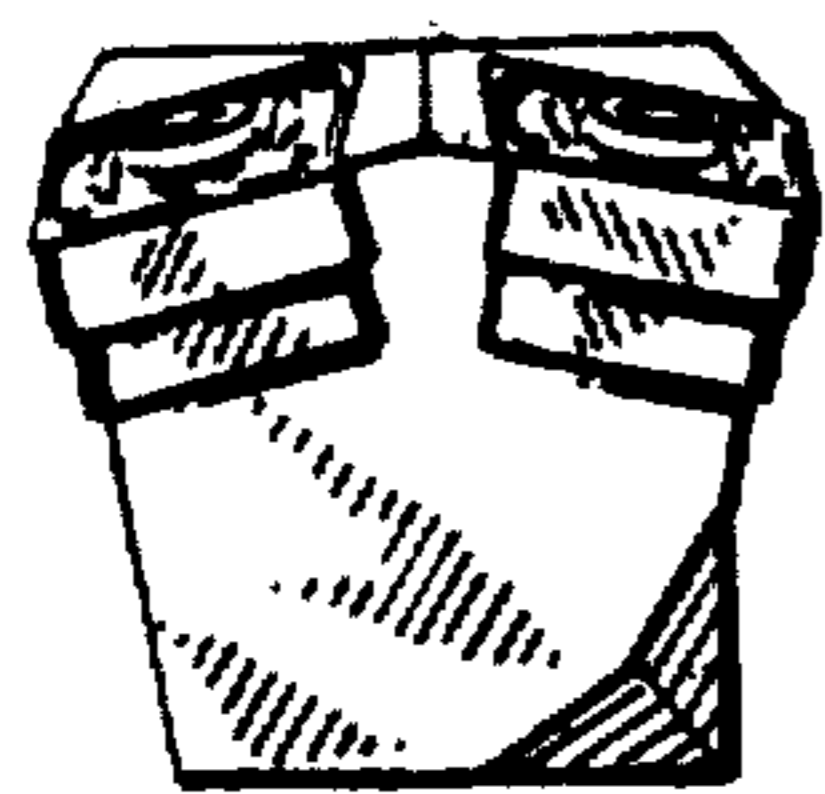


FIG. 2

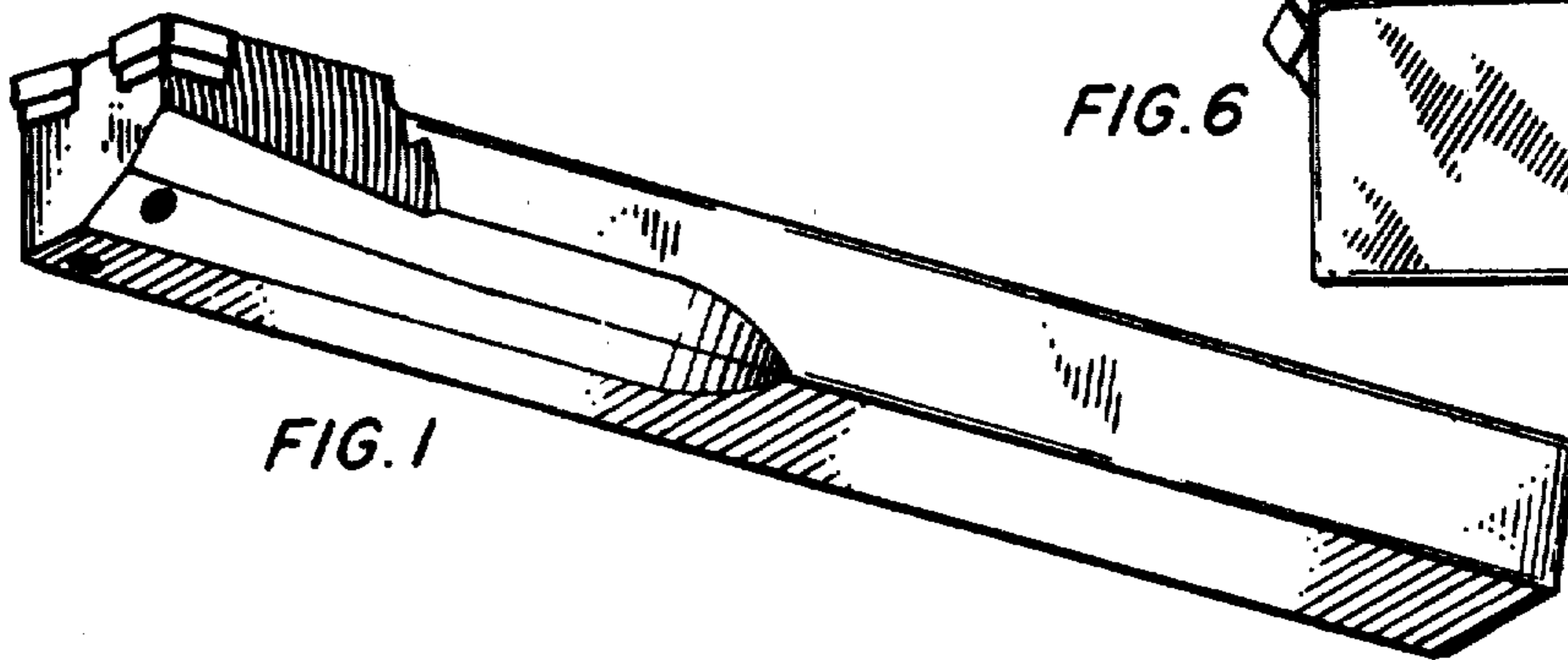


FIG. 1

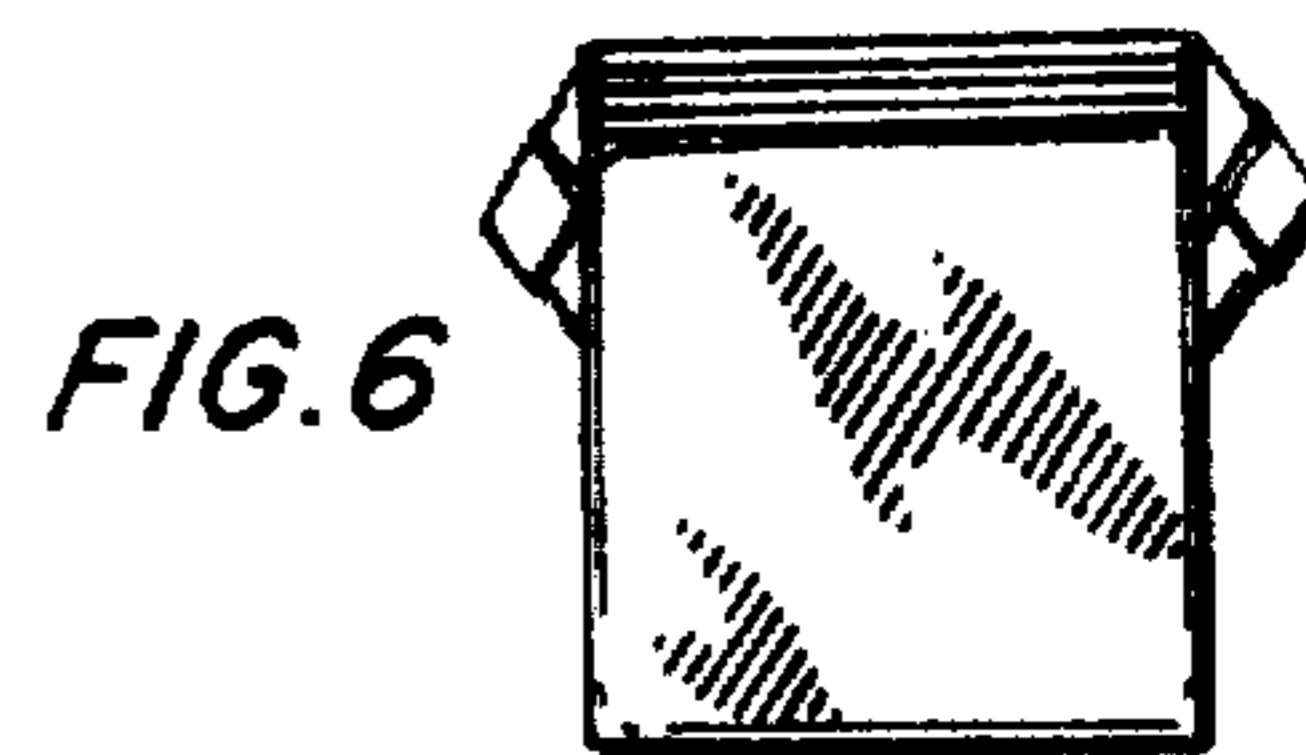


FIG. 6

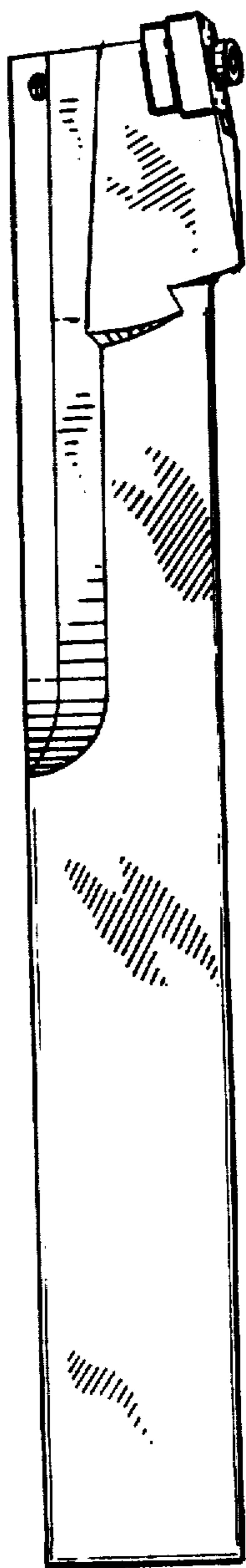


FIG. 3

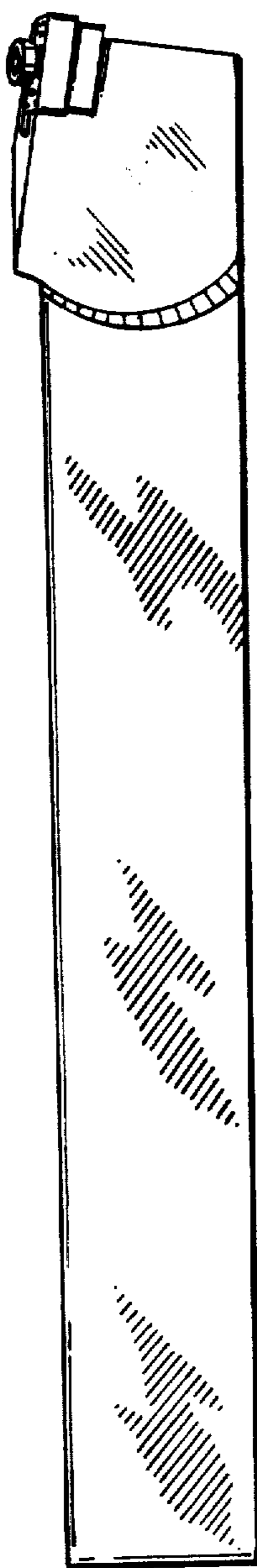


FIG. 4

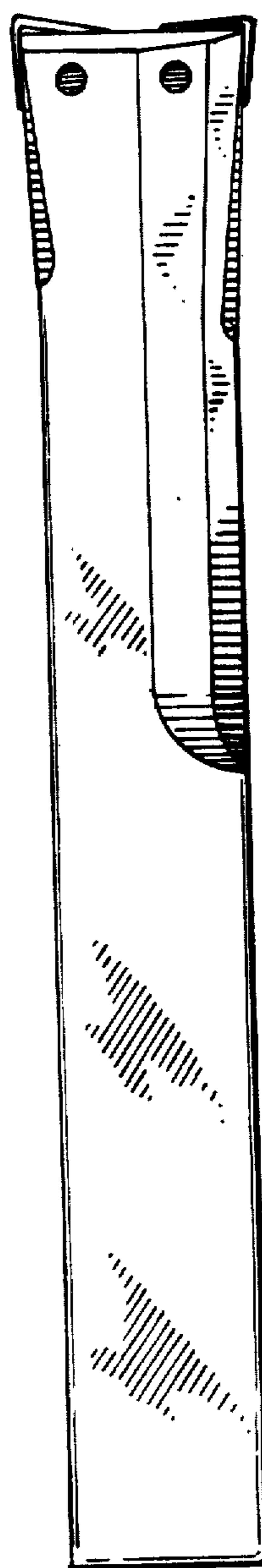


FIG. 5

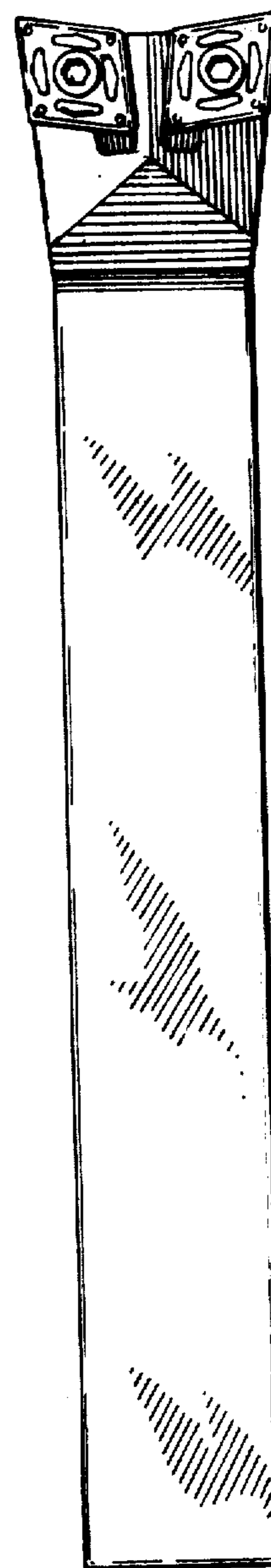


FIG. 7