

[54] PUMP FOR TRANSFERRING SOLID MATERIAL AND THE LIKE

[75] Inventor: Sam D. McMullen, Houston, Tex.

[73] Assignee: Matcote Company, Inc., Houston, Tex.

[**] Term: 14 Years

[21] Appl. No.: 302,137

[22] Filed: Sep. 14, 1981

[51] Int. Cl. D15-02

[52] U.S. Cl. D15/7

[58] Field of Search D15/7, 9; 417/393, 395, 417/423, 454

3,089,683 5/1963 Thomas et al. 366/340

3,330,217 7/1967 Bauer et al. 417/555 R

3,709,638 1/1973 Iguchi et al. 417/454

4,146,355 3/1979 Broker et al. 417/454

4,239,463 12/1980 Yaindl 417/454

4,305,672 12/1981 Adams 366/336

Primary Examiner—Wallace R. Burke
 Assistant Examiner—Lynn Wilder
 Attorney, Agent, or Firm—Pravel, Gambrell, Hewitt, Kirk & Kimball

[56] References Cited

U.S. PATENT DOCUMENTS

D. 223,040 2/1972 Otto D15/7

756,903 4/1904 Spencer et al. 417/393

1,129,362 2/1915 Ryder 417/393

3,032,278 5/1962 Thomas et al. 239/422

[57] CLAIM

The ornamental design for a pump for transferring solid material and the like, as shown.

DESCRIPTION

FIG. 1 is a elevational view of a pump transferring solid material and the like showing my new design, the other side being a mirror image thereof;

FIG. 2 is a front elevational view thereof;

FIG. 3 is a rear elevational view thereof;

FIG. 4 is a top plan view thereof; and

FIG. 5 is a bottom plan view thereof.

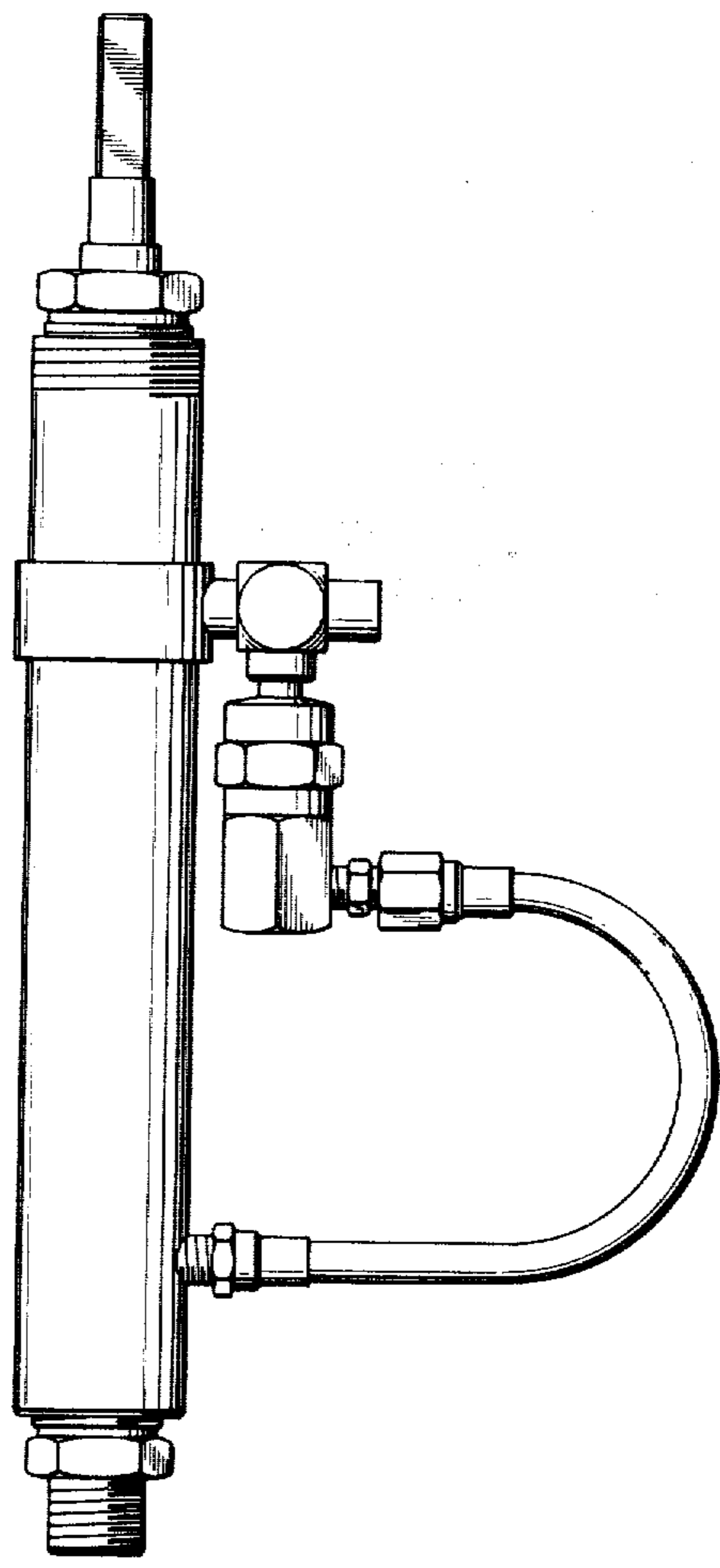


Fig. 1

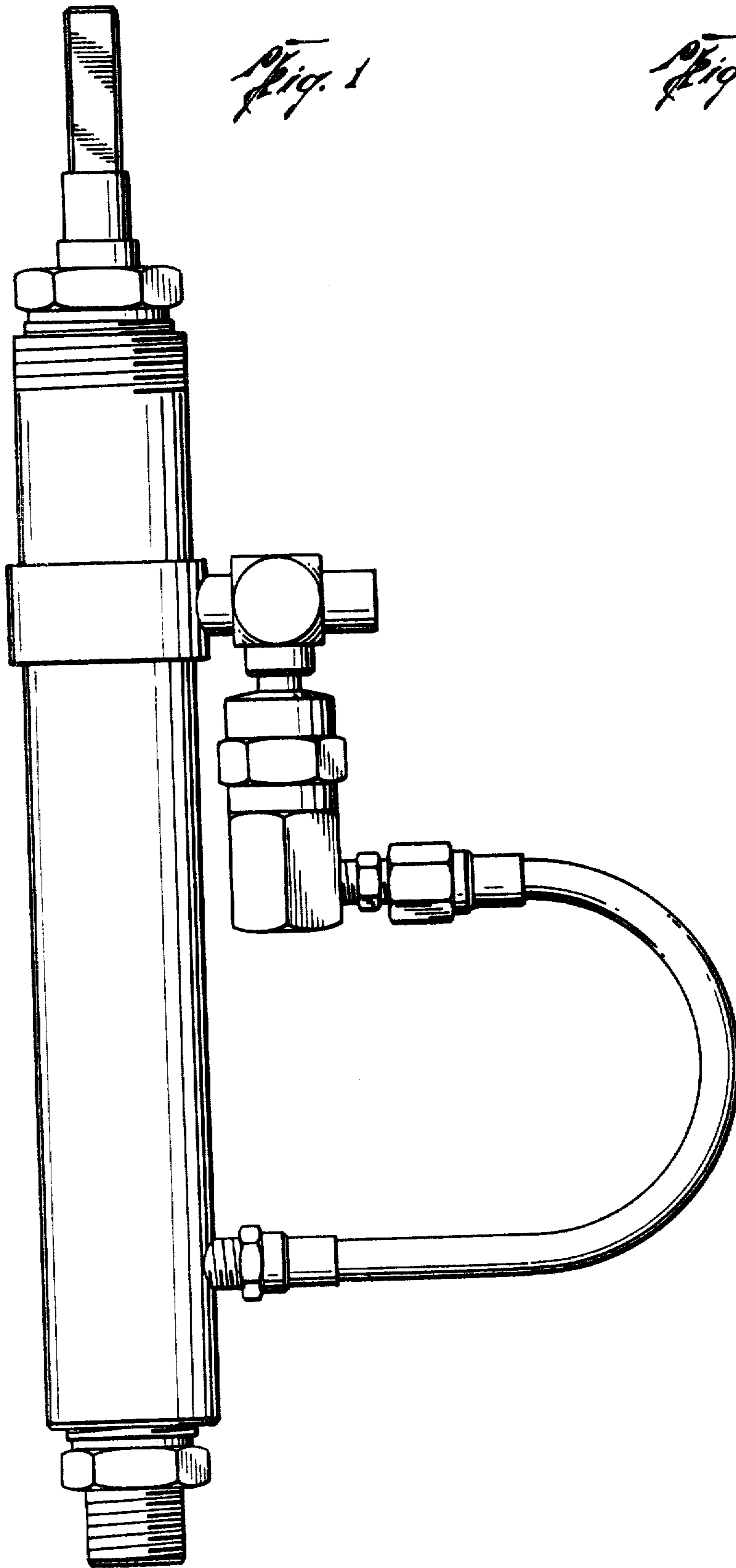


Fig. 2

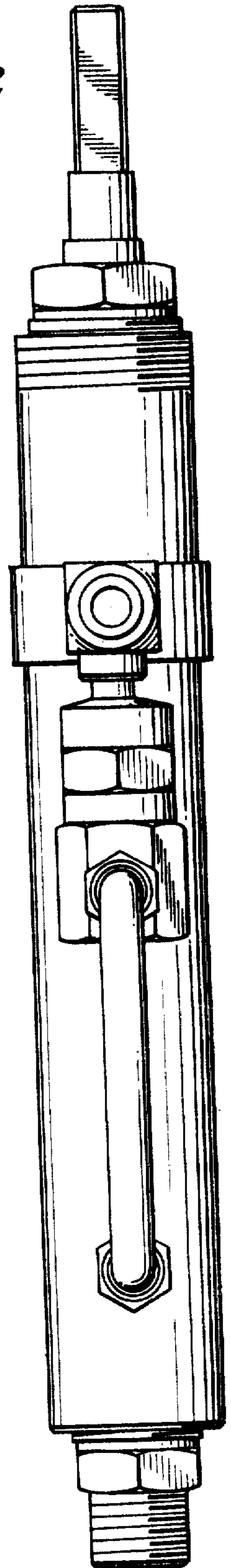


Fig. 3

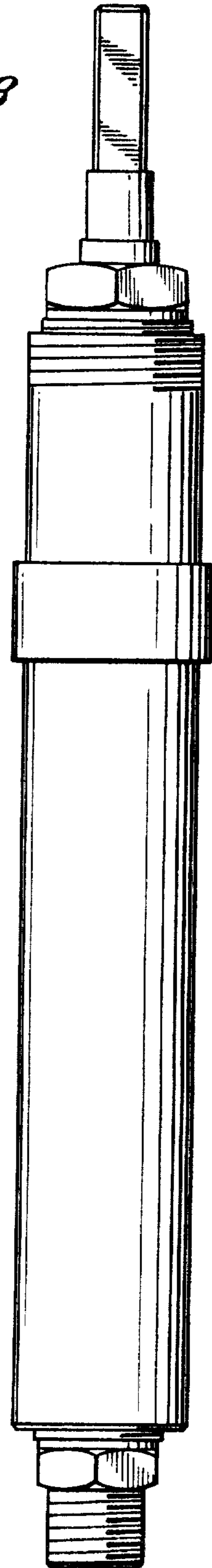


Fig. 4

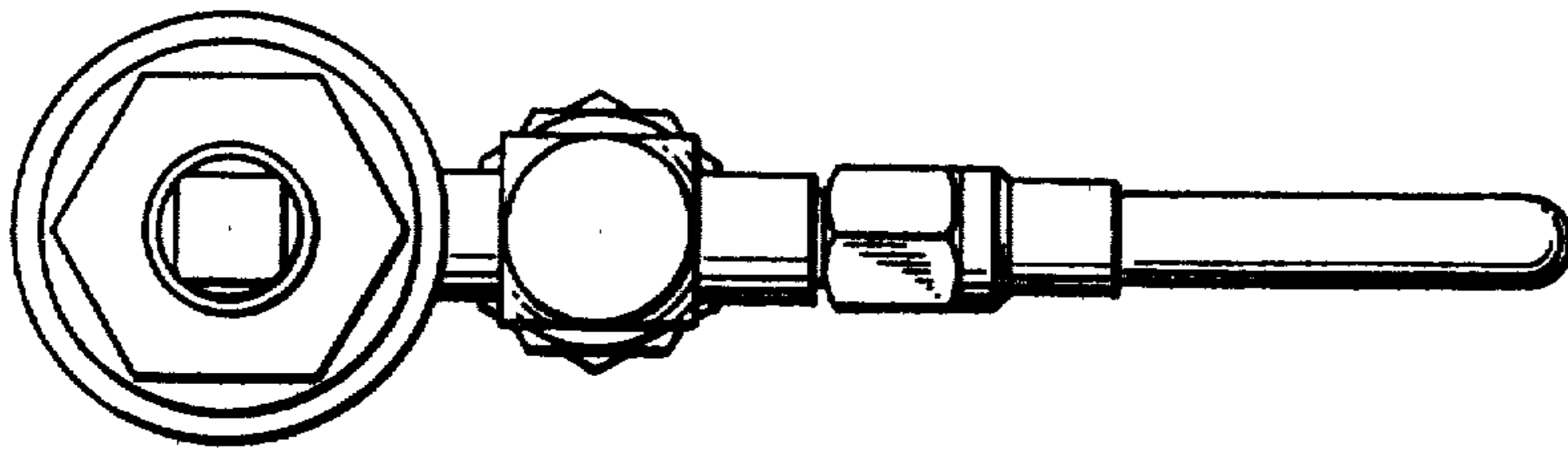


Fig. 5

