

[54] **MERCHANDISING TERMINAL**

[75] Inventor: **William E. Roberts, Rolling Hills Estates, Calif.**

[73] Assignee: **Logicon, Inc., Torrance, Calif.**

[**] Term: **14 Years**

[21] Appl. No.: **279,796**

[22] Filed: **Jul. 2, 1981**

[51] Int. Cl. **D14-02**

[52] U.S. Cl. **D14/106; D14/105**

[58] Field of Search **D14/100-116; 364/404, 405, 900; 340/365 R, 700, 711, 712, 720; D13/4**

[56] **References Cited**

U.S. PATENT DOCUMENTS

D. 240,633 7/1976 Haufler et al. D14/105 X

D. 244,388 5/1977 Conway D14/105

D. 249,794 10/1978 Howe D14/107

Primary Examiner—Susan J. Lucas
Attorney, Agent, or Firm—Freilich, Hornbaker, Wasserman, Rosen & Fernandez

[57] **CLAIM**

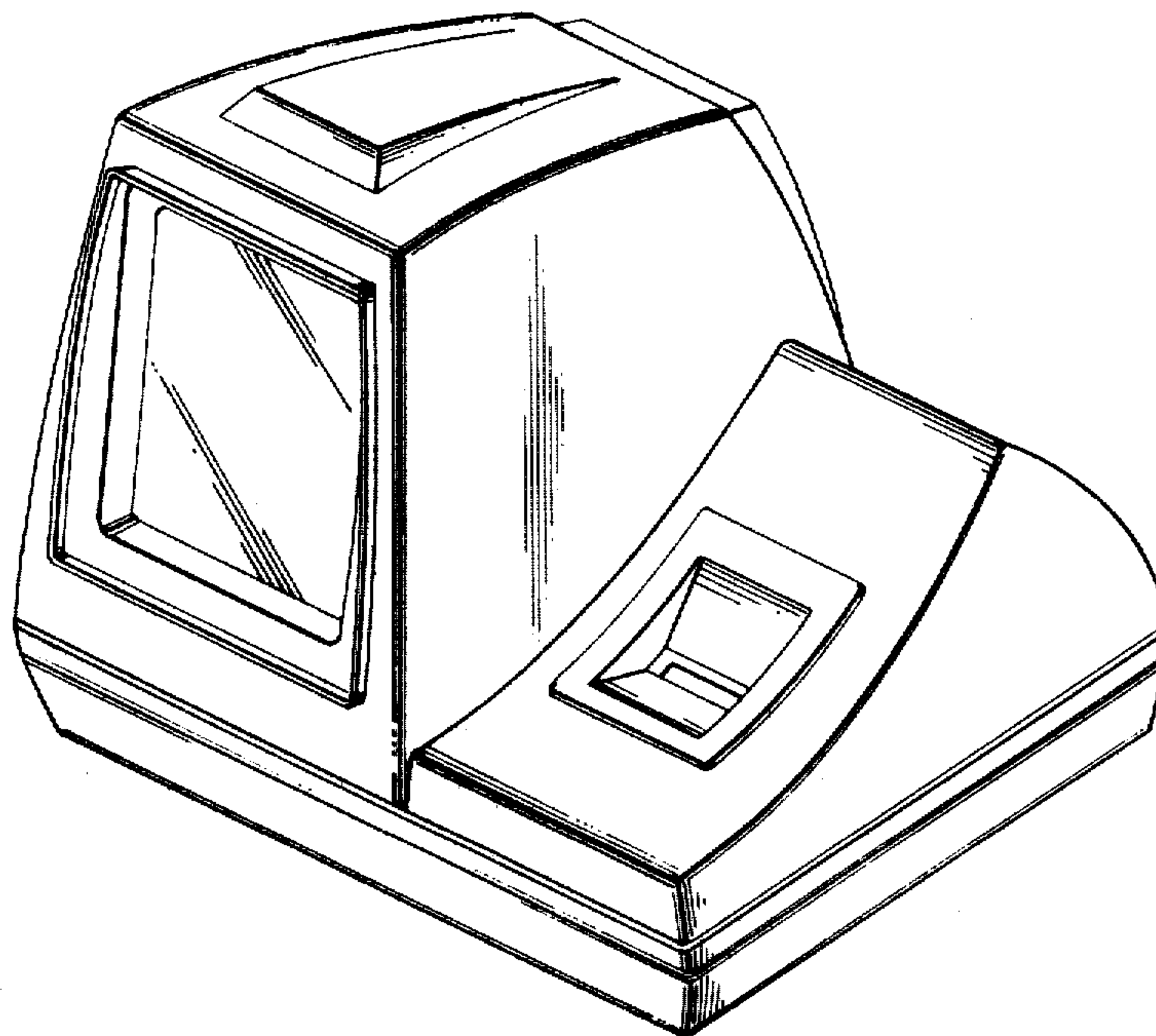
The ornamental design for a merchandising terminal, substantially as shown.

DESCRIPTION

FIG. 1 is a front, right side, and top perspective view of a merchandising terminal showing my new design;

FIG. 2 is rear, right side, and top perspective view thereof; and

FIG. 3 is a left side elevational view thereof.



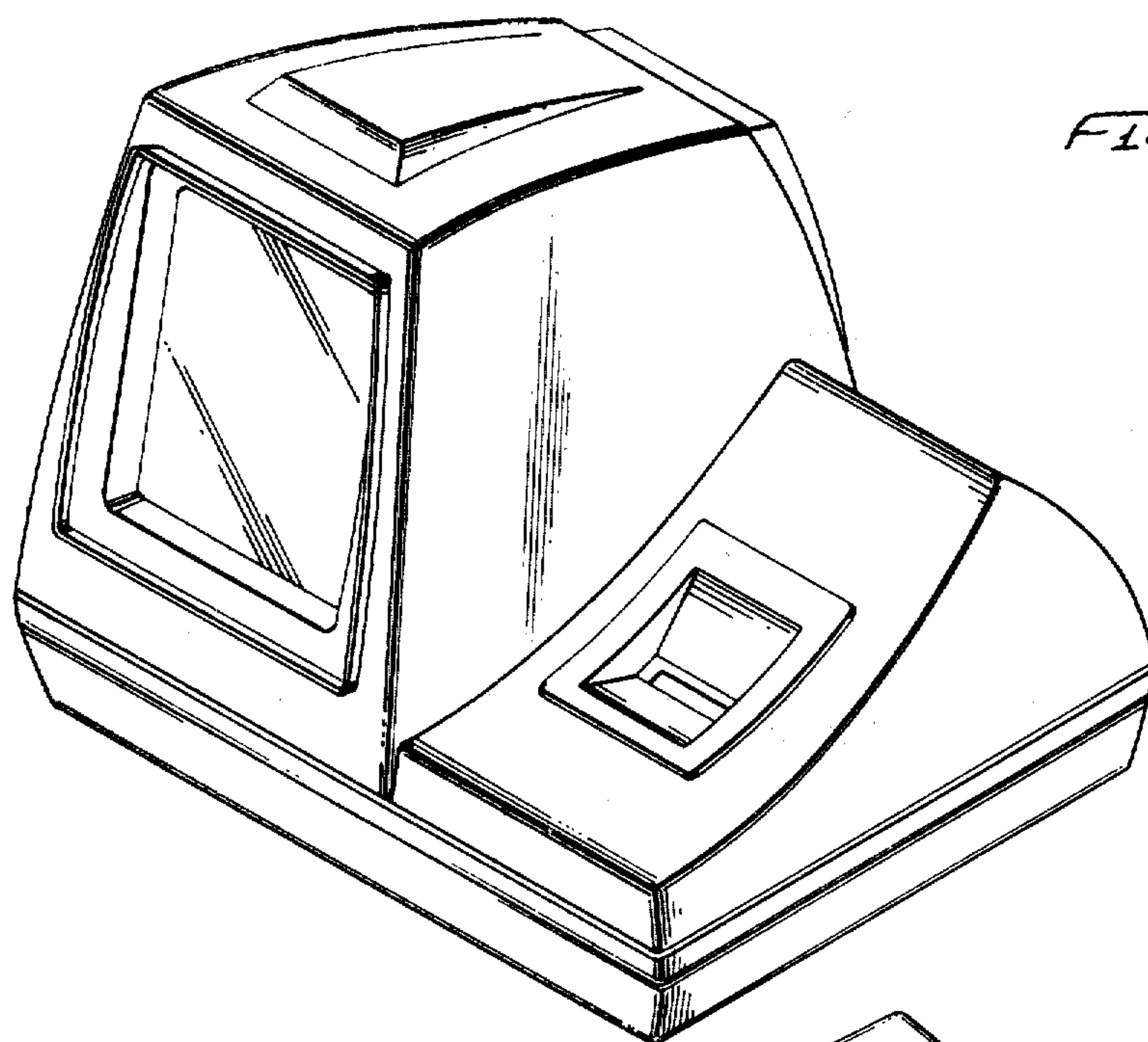
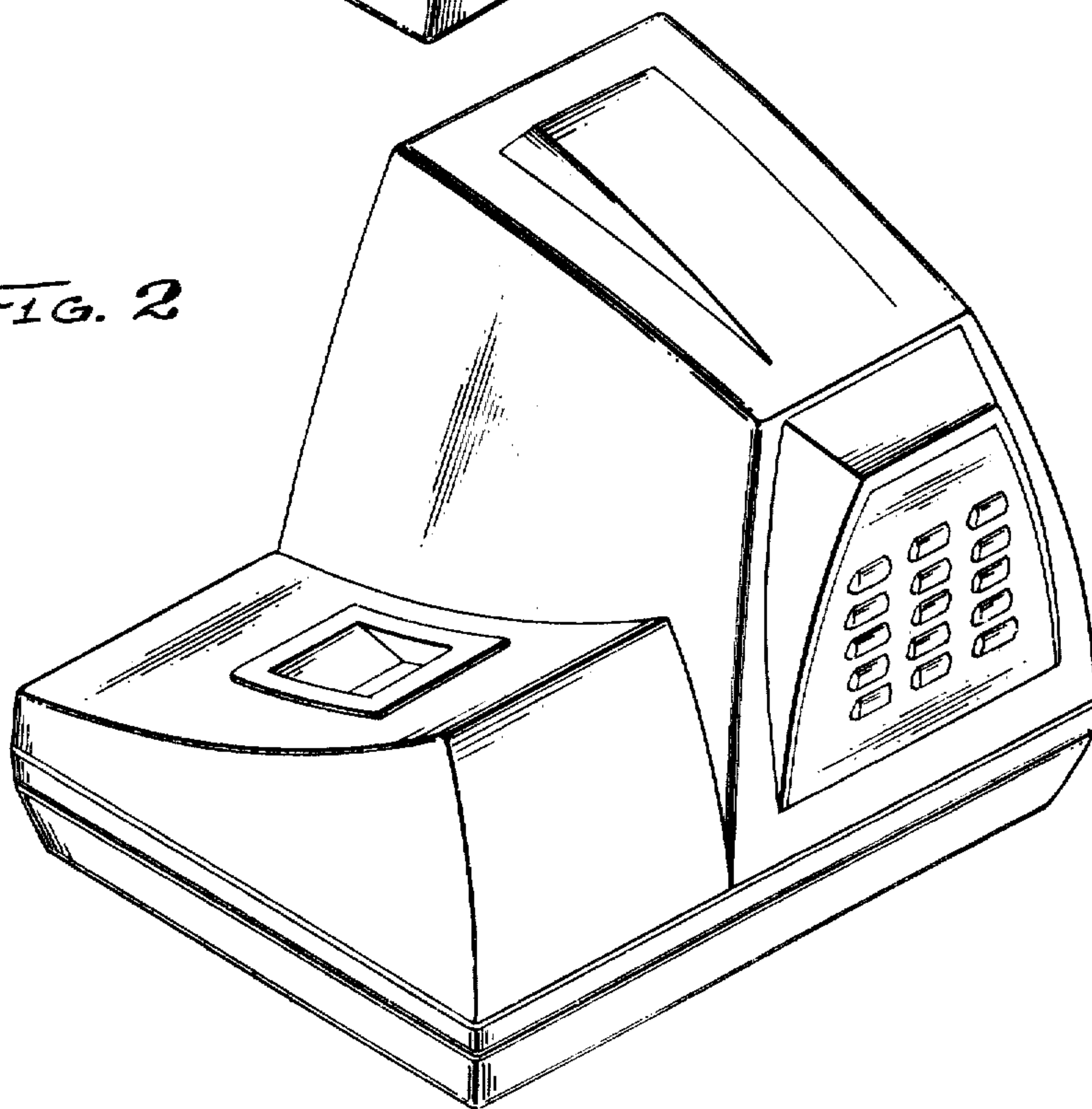


FIG. 1

FIG. 2



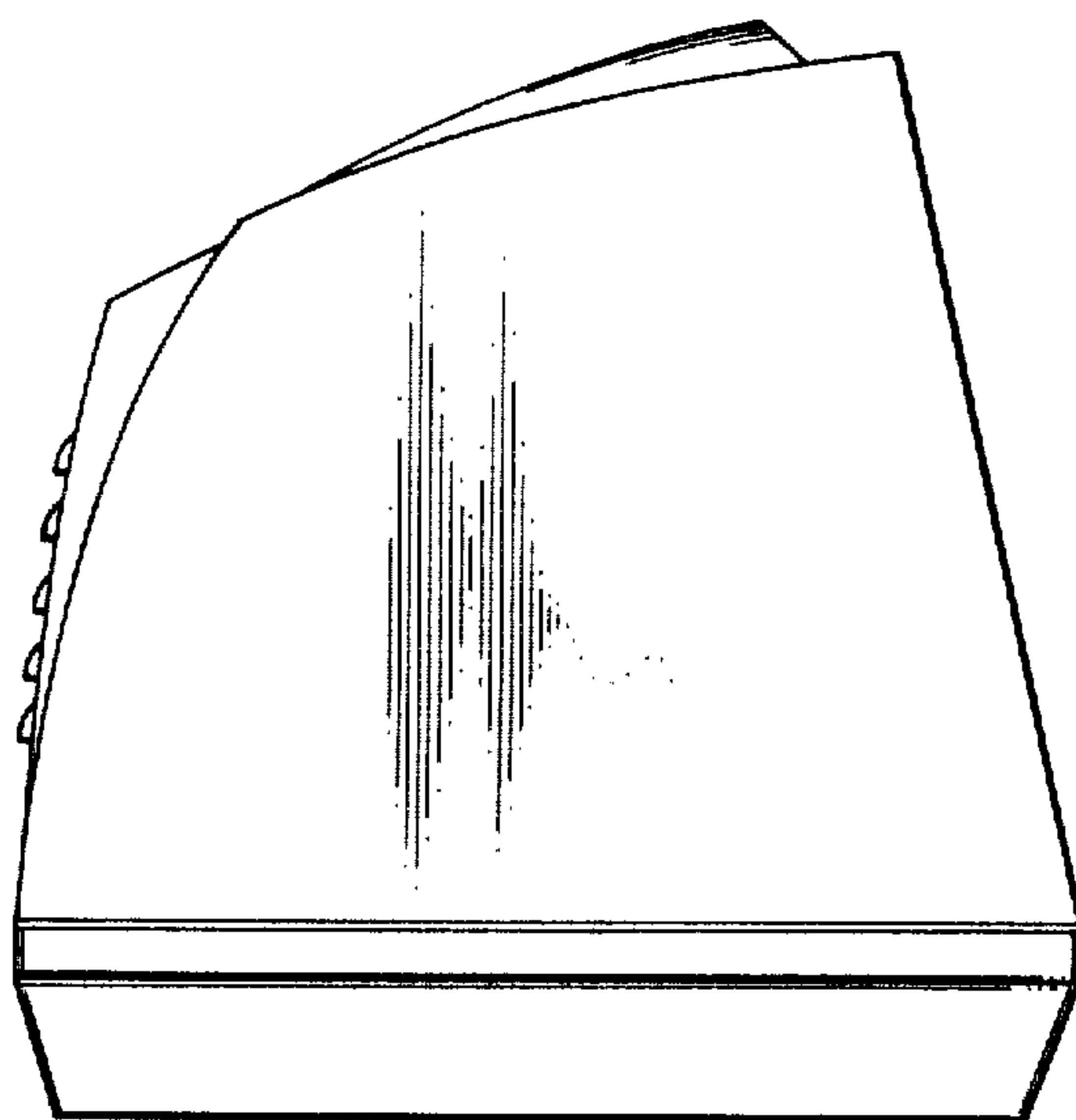


FIG. 3