

[54] REAR VIEW MIRROR

[75] Inventor: Alberto Vitaloni, Turin, Italy

[73] Assignee: Vitaloni S.p.A., Turin, Italy

[**] Term: 14 Years

[21] Appl. No.: 239,929

[22] Filed: Mar. 3, 1981

[30] Foreign Application Priority Data

Oct. 14, 1980 [IT] Italy 53577/80[U]

[51] Int. Cl. D12-16

[52] U.S. Cl. D12/187

[58] Field of Search D12/187; 350/288, 307

[56] References Cited

U.S. PATENT DOCUMENTS

- D. 242,341 11/1976 Lukey D12/187
- D. 261,754 11/1981 Vitaloni D12/187
- 4,168,635 9/1979 Savidan 350/288

FOREIGN PATENT DOCUMENTS

2839138 3/1980 Fed. Rep. of Germany 350/307

Primary Examiner—James M. Gandy
Attorney, Agent, or Firm—Sughrue, Mion, Zinn,
Macpeak and Seas

[57] CLAIM

The ornamental design for a rear view mirror, as shown and described.

DESCRIPTION

FIG. 1 is a top, front perspective view of a rear view mirror showing my new design, which is mountable on the left side of an automobile;

FIG. 2 is a left side elevational view thereof;

FIG. 3 is a top plan view thereof;

FIG. 4 is a front elevational view thereof;

FIG. 5 is a rear elevational view thereof;

FIG. 6 is a bottom plan view thereof;

FIG. 7 is a right side elevational view thereof;

FIG. 8 is a top, front perspective view of a rear view mirror showing a second embodiment of my new design, the sole difference being that it is mountable on the right side of an automobile;

FIG. 9 is a right side elevational view of the embodiment of FIG. 8;

FIG. 10 is a top plan view of the embodiment of FIG. 8;

FIG. 11 is a front elevational view of the embodiment of FIG. 8;

FIG. 12 is a rear elevational view of the embodiment of FIG. 8;

FIG. 13 is a bottom plan view of the embodiment of FIG. 8; and

FIG. 14 is a left side elevational view of the embodiment of FIG. 8.

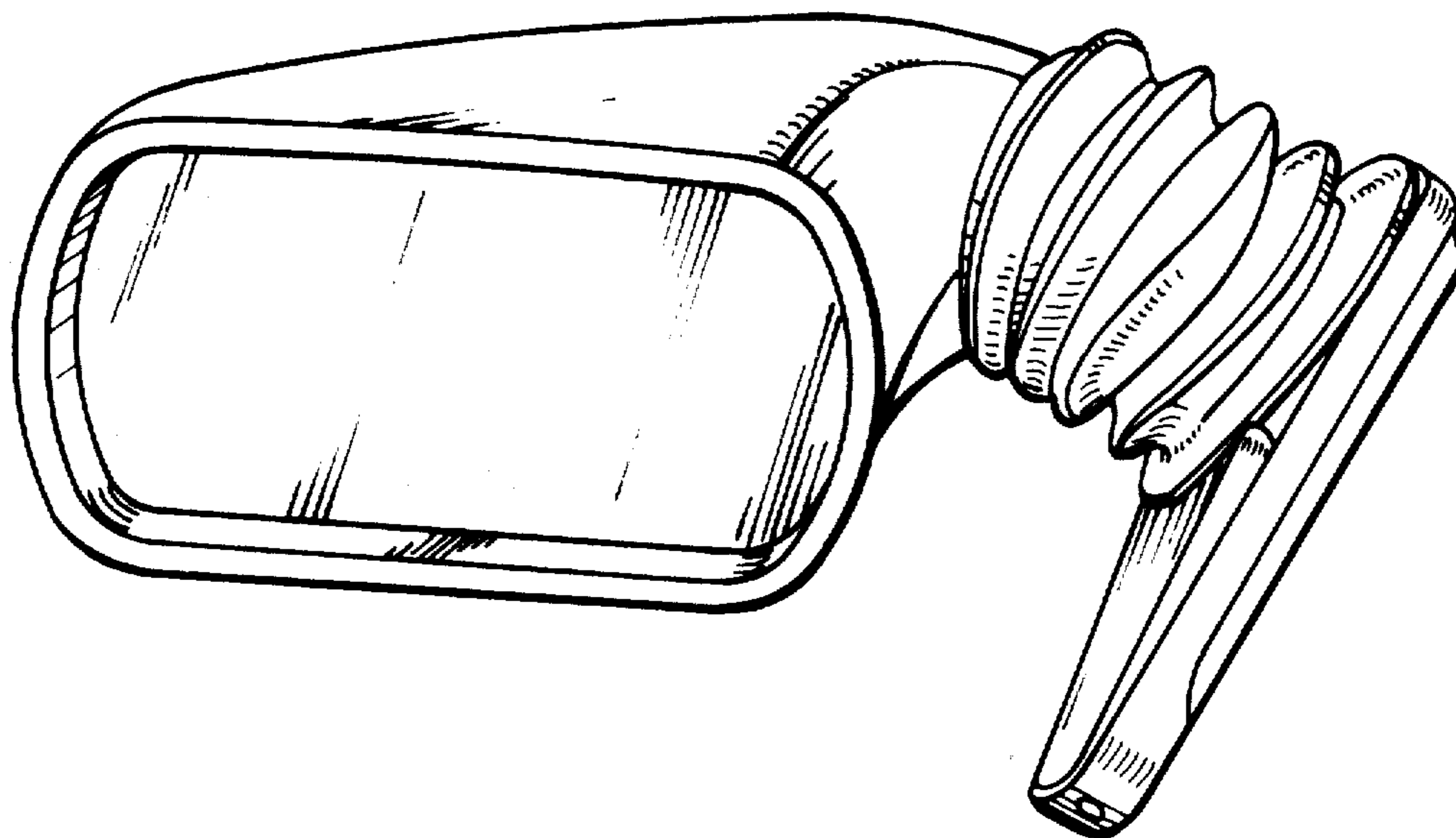


FIG. 1

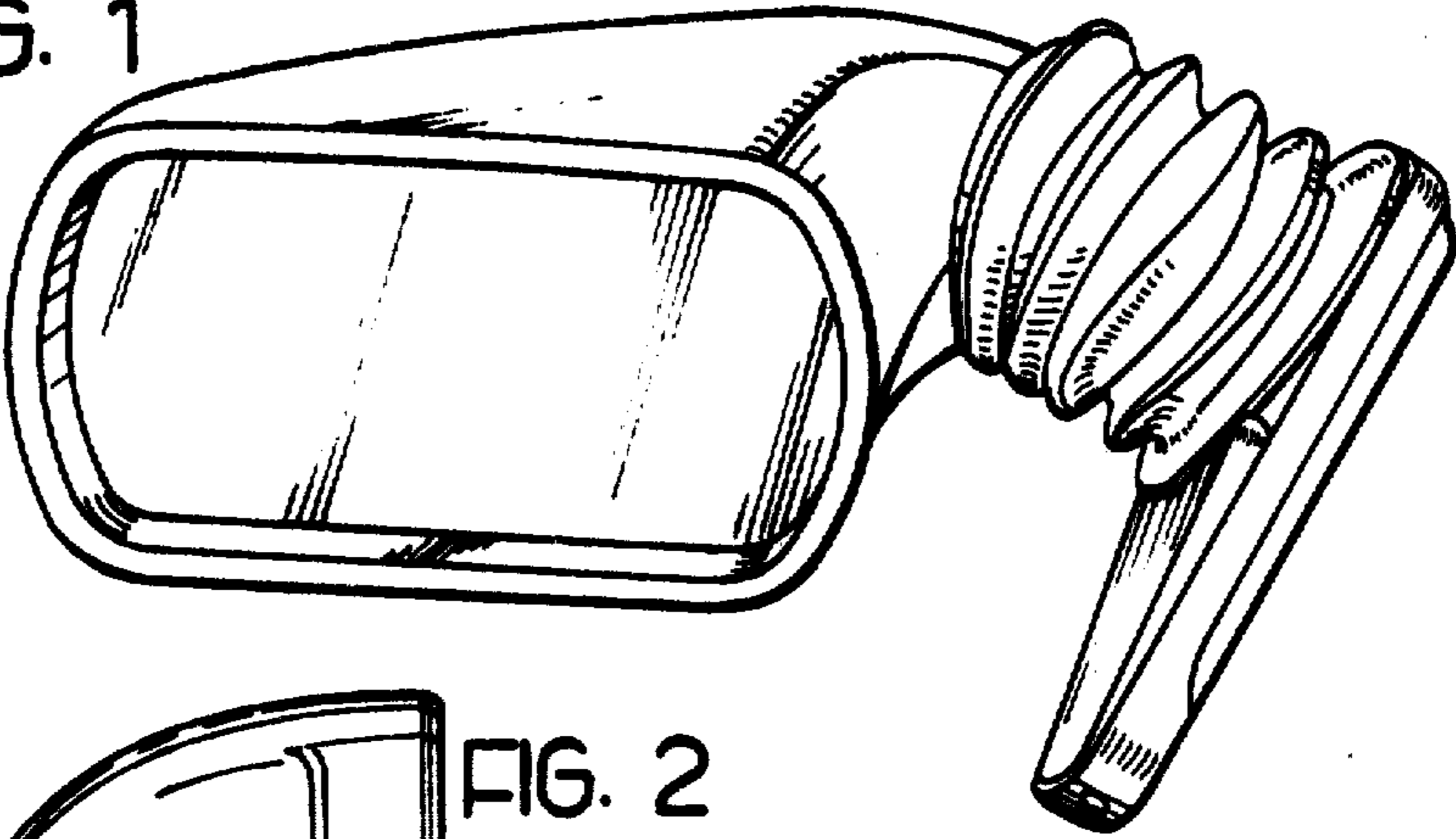


FIG. 2

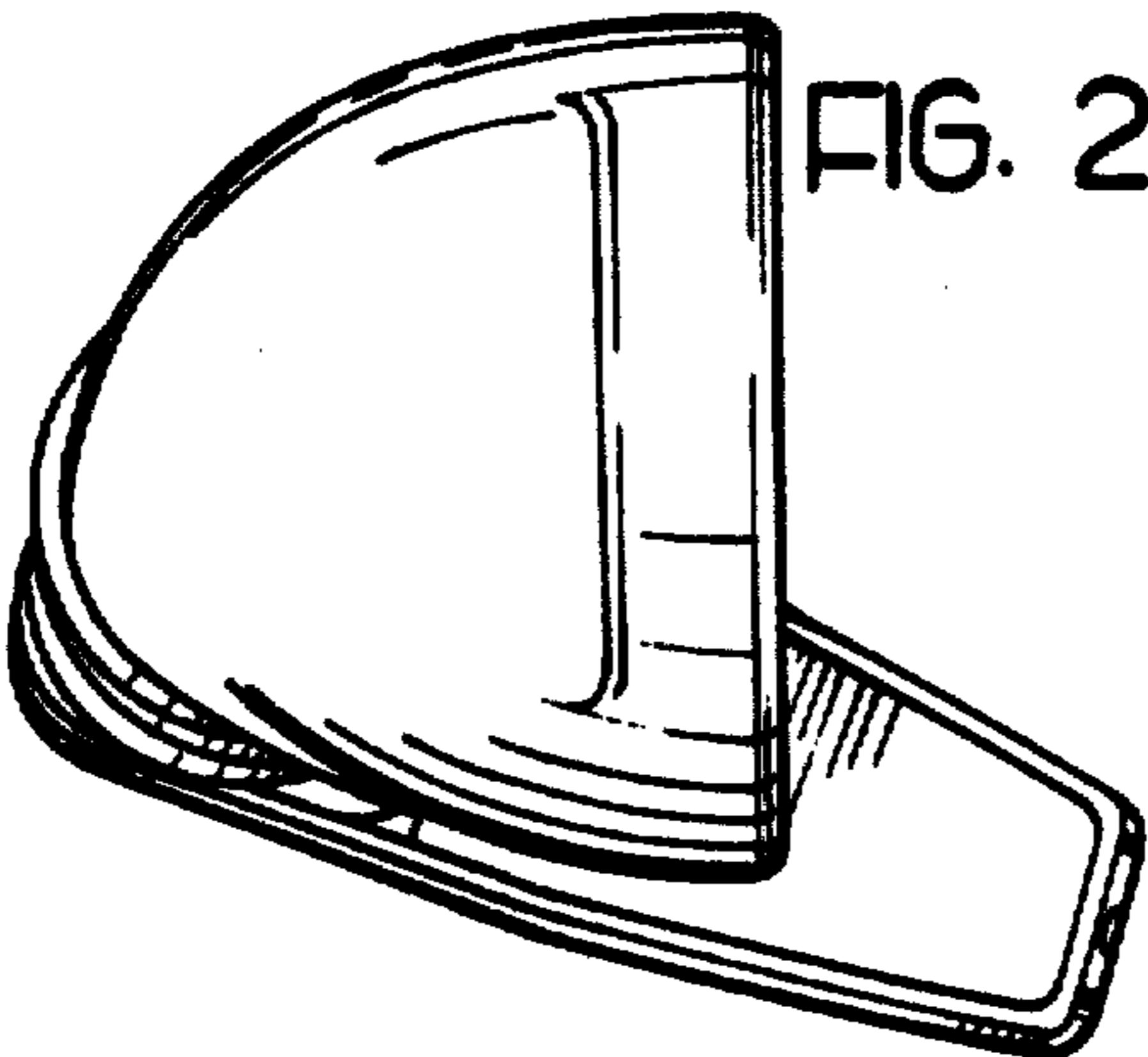


FIG. 3

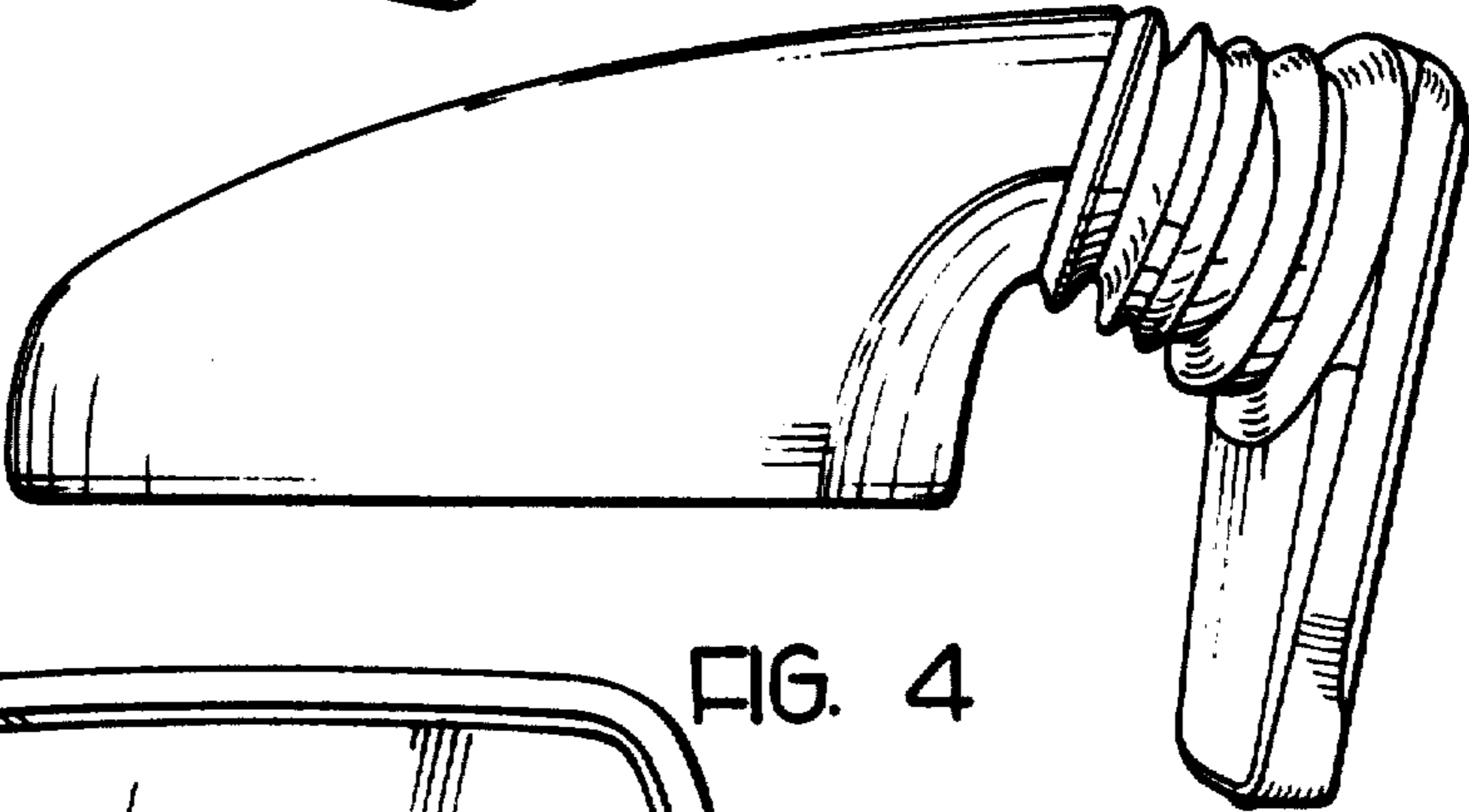


FIG. 4

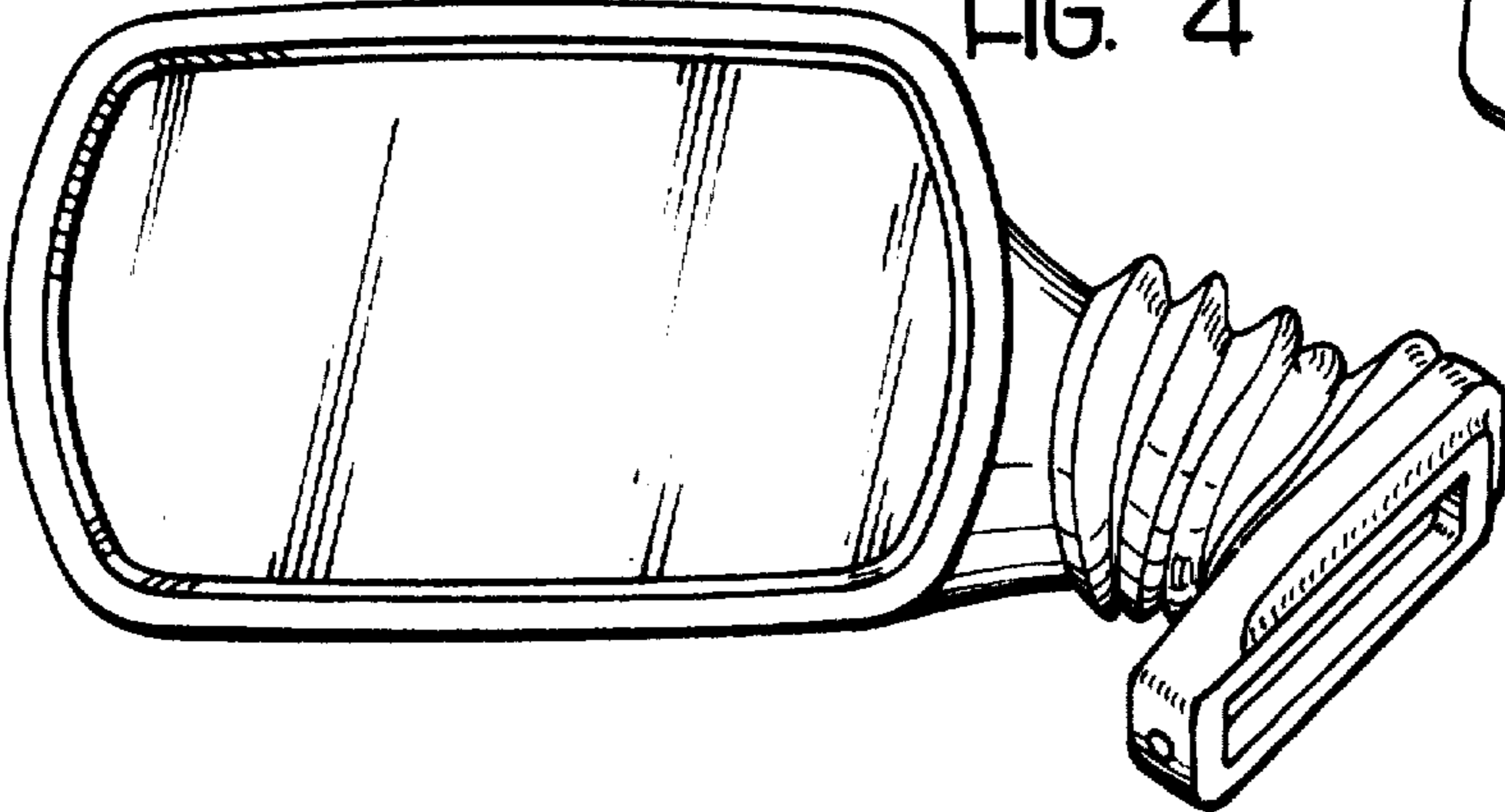


FIG. 5

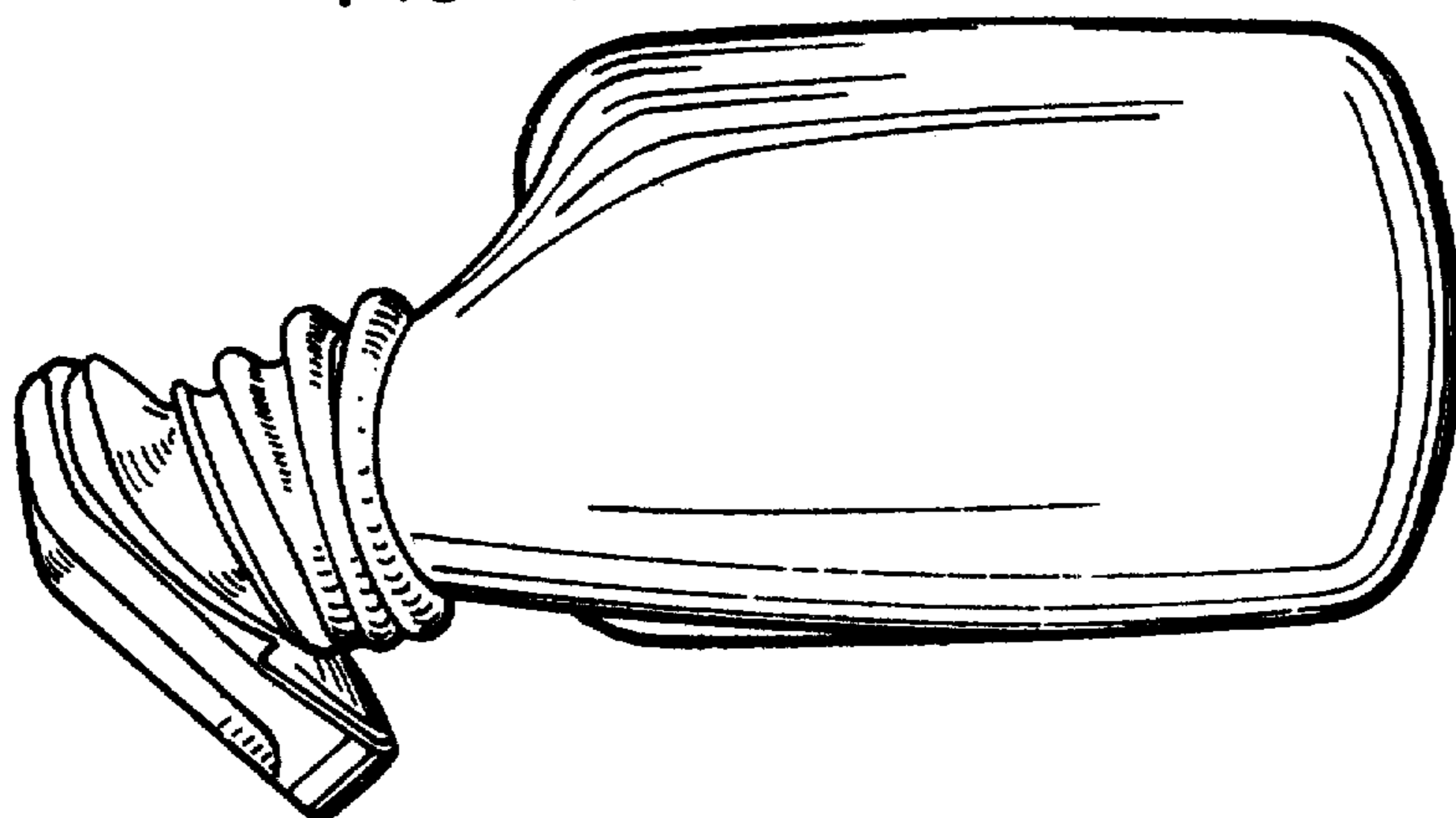


FIG. 6

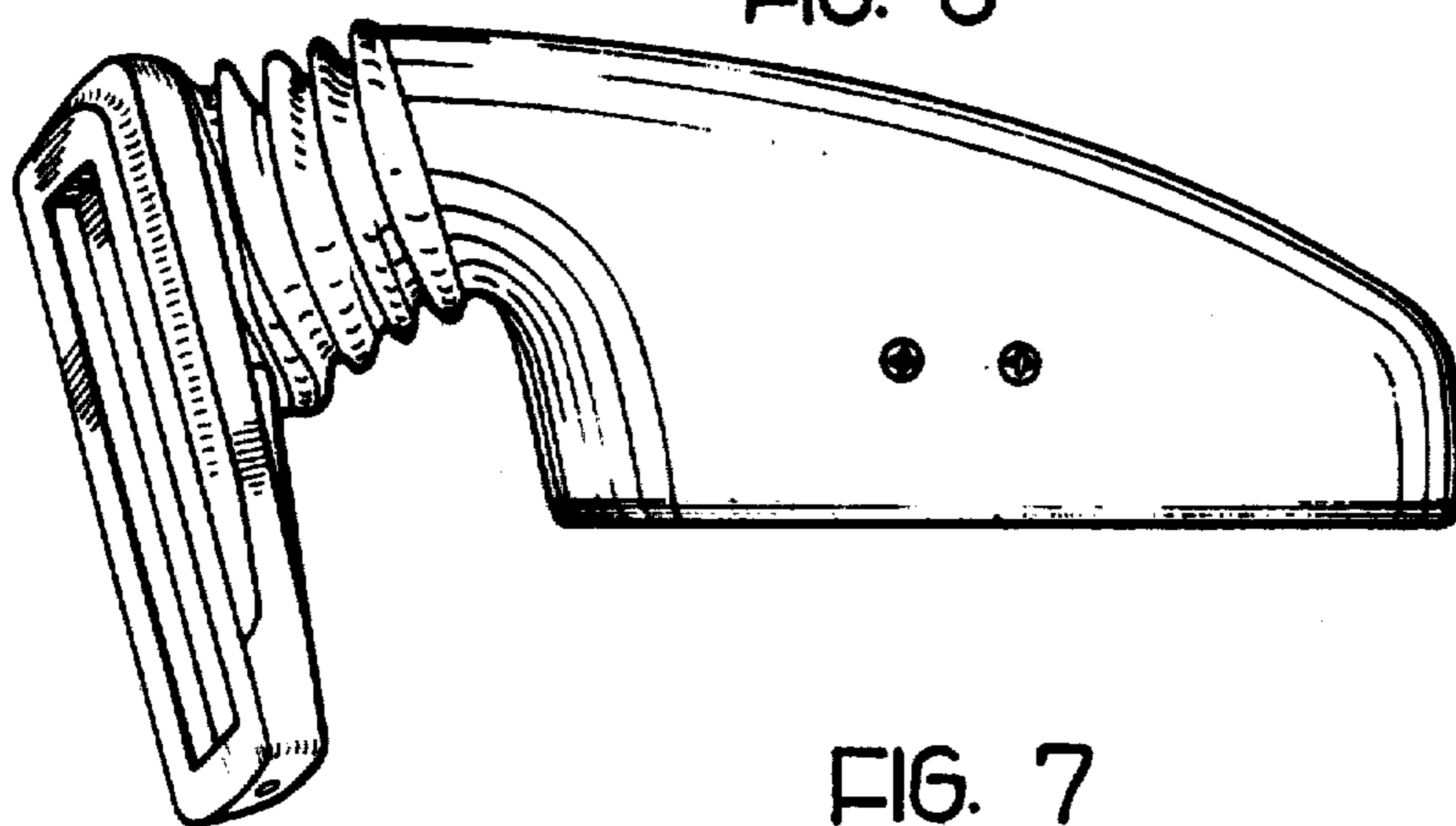


FIG. 7

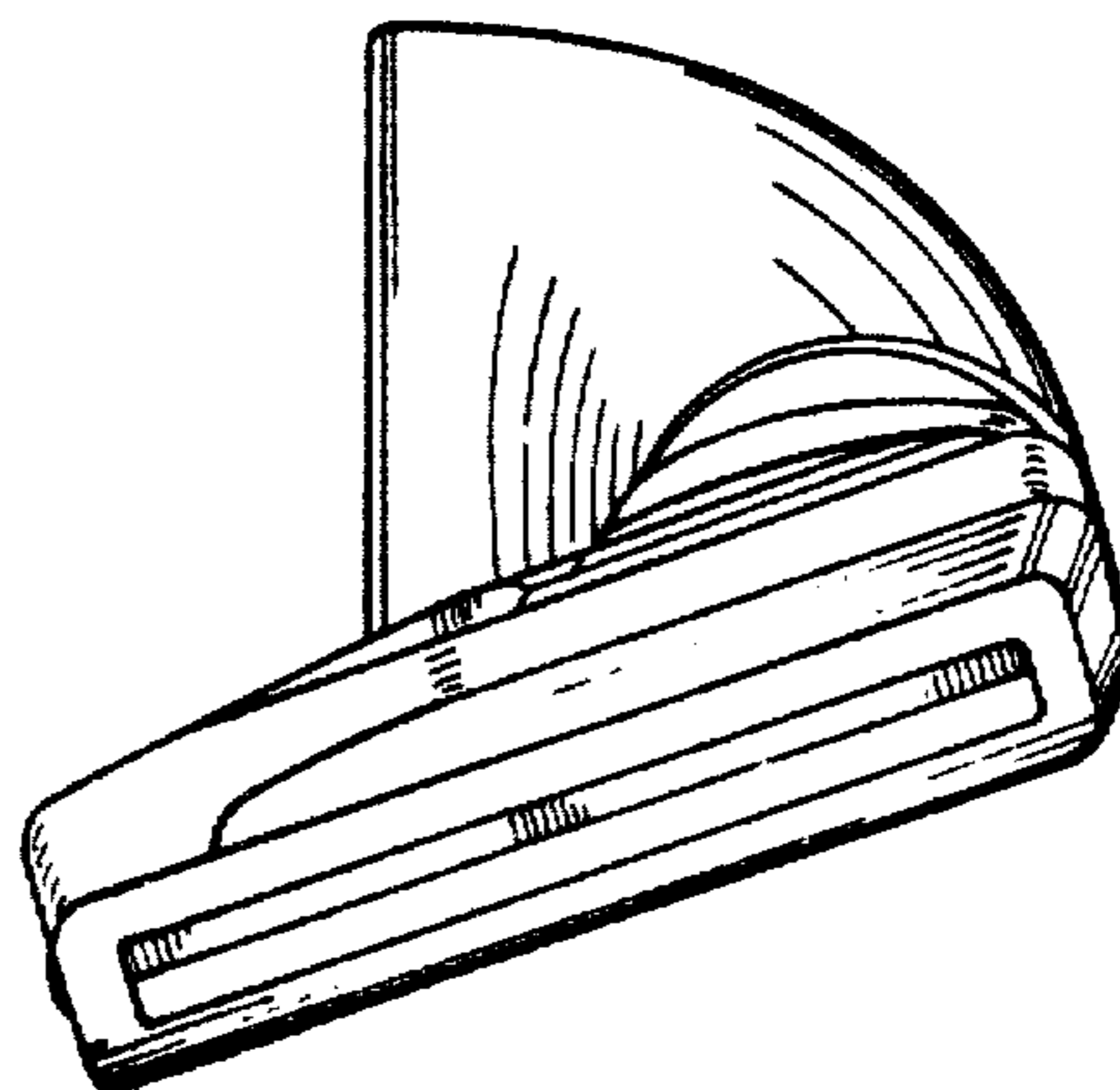


FIG. 8

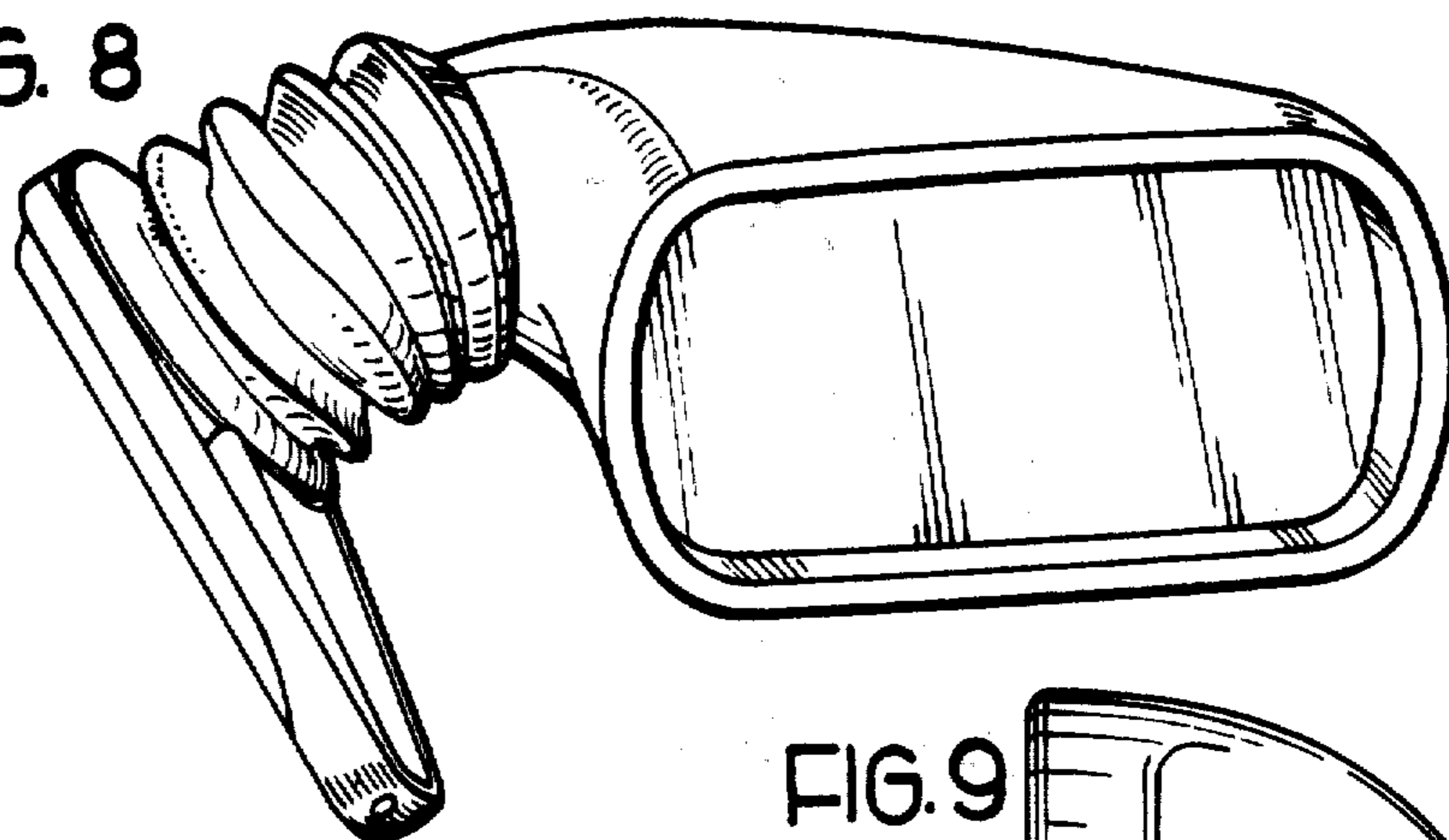


FIG. 9

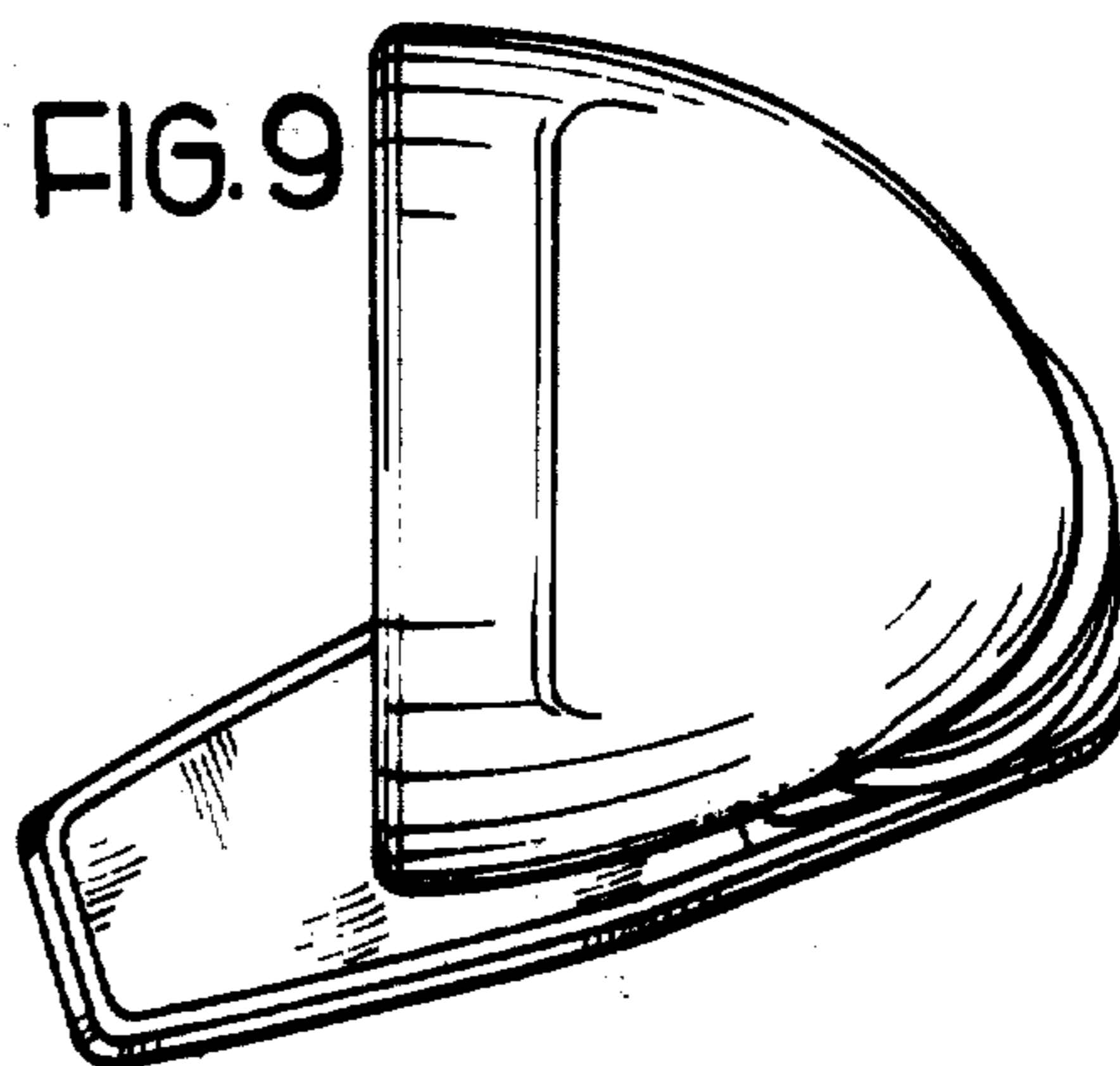


FIG. 10

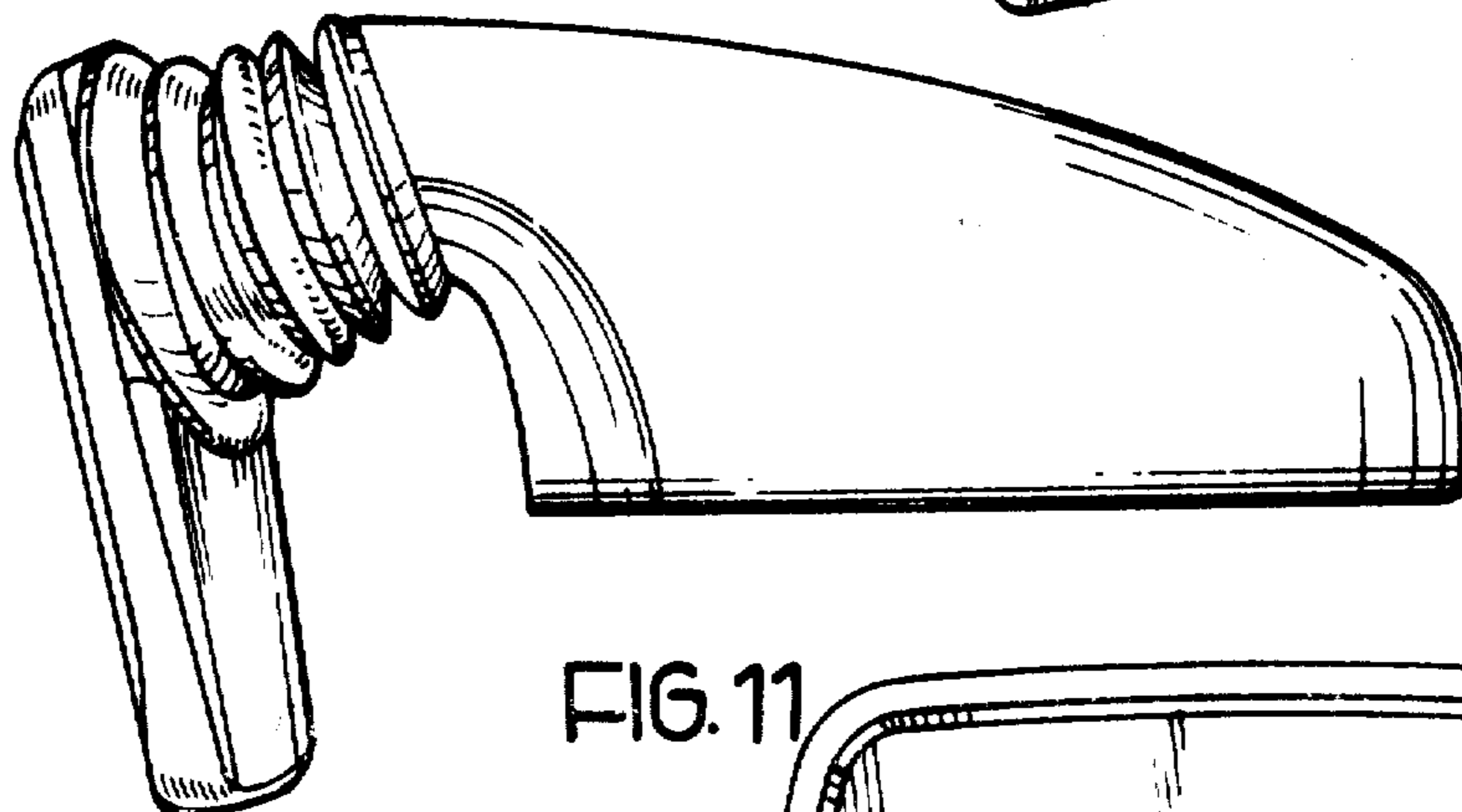


FIG. 11

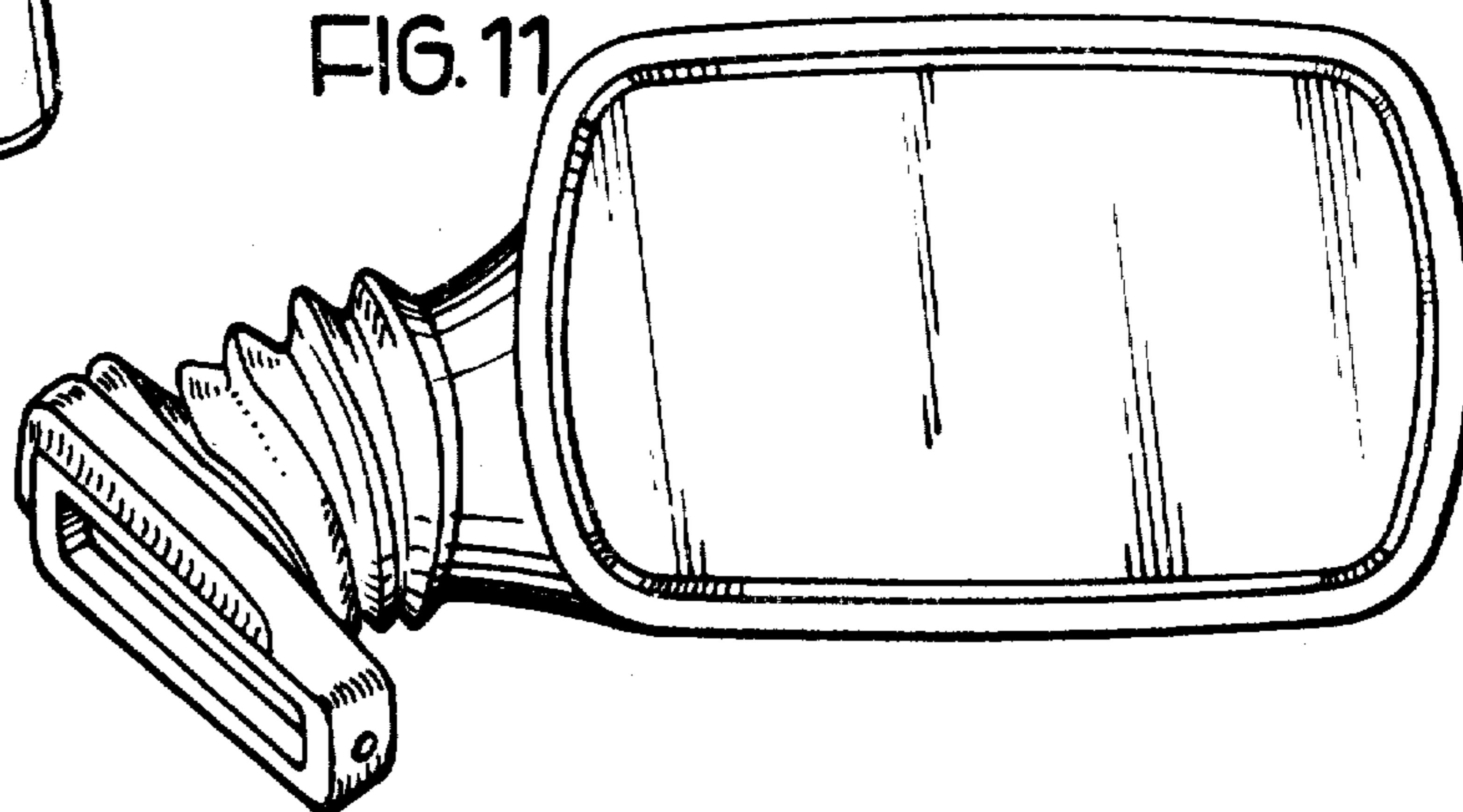


FIG. 12

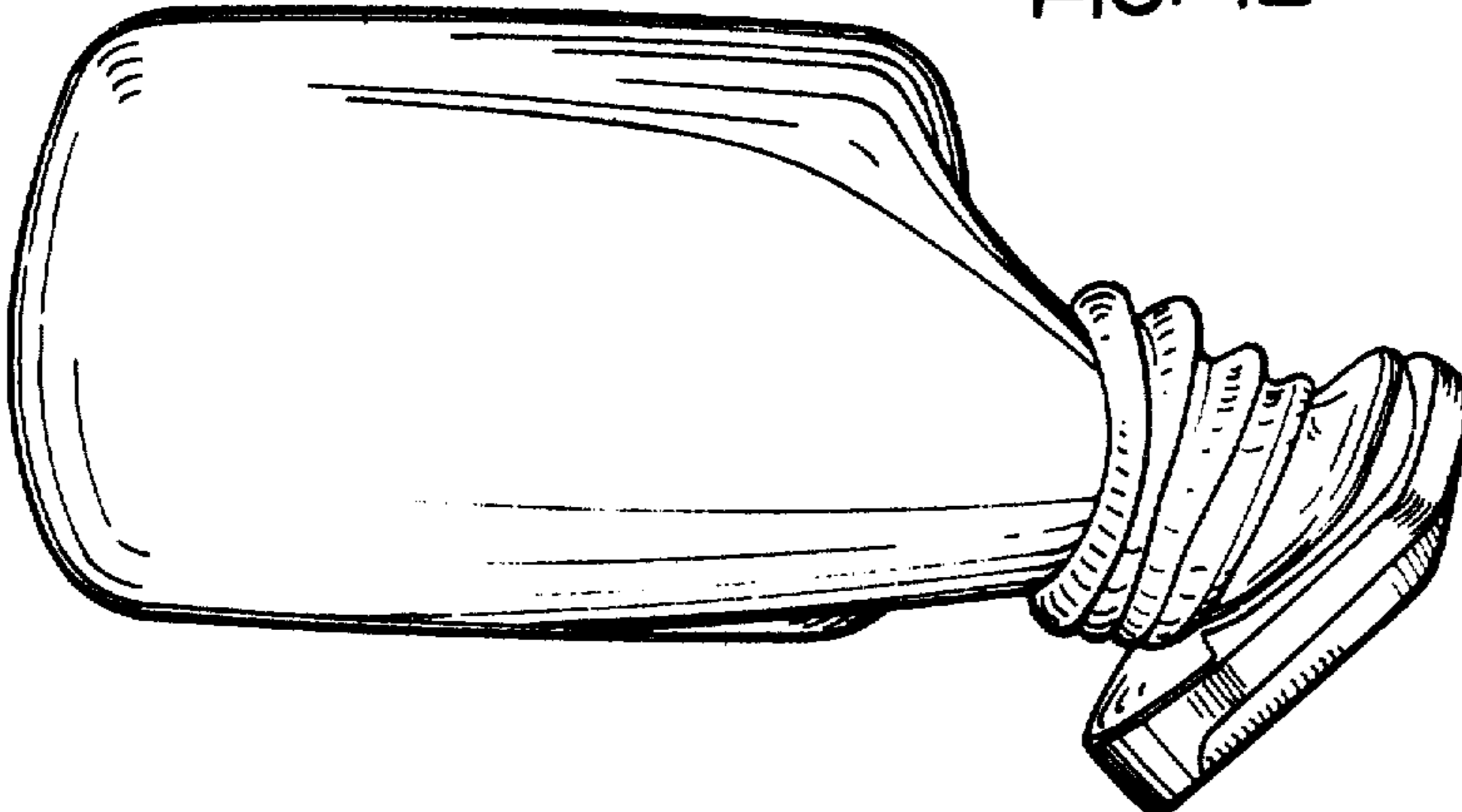


FIG. 13

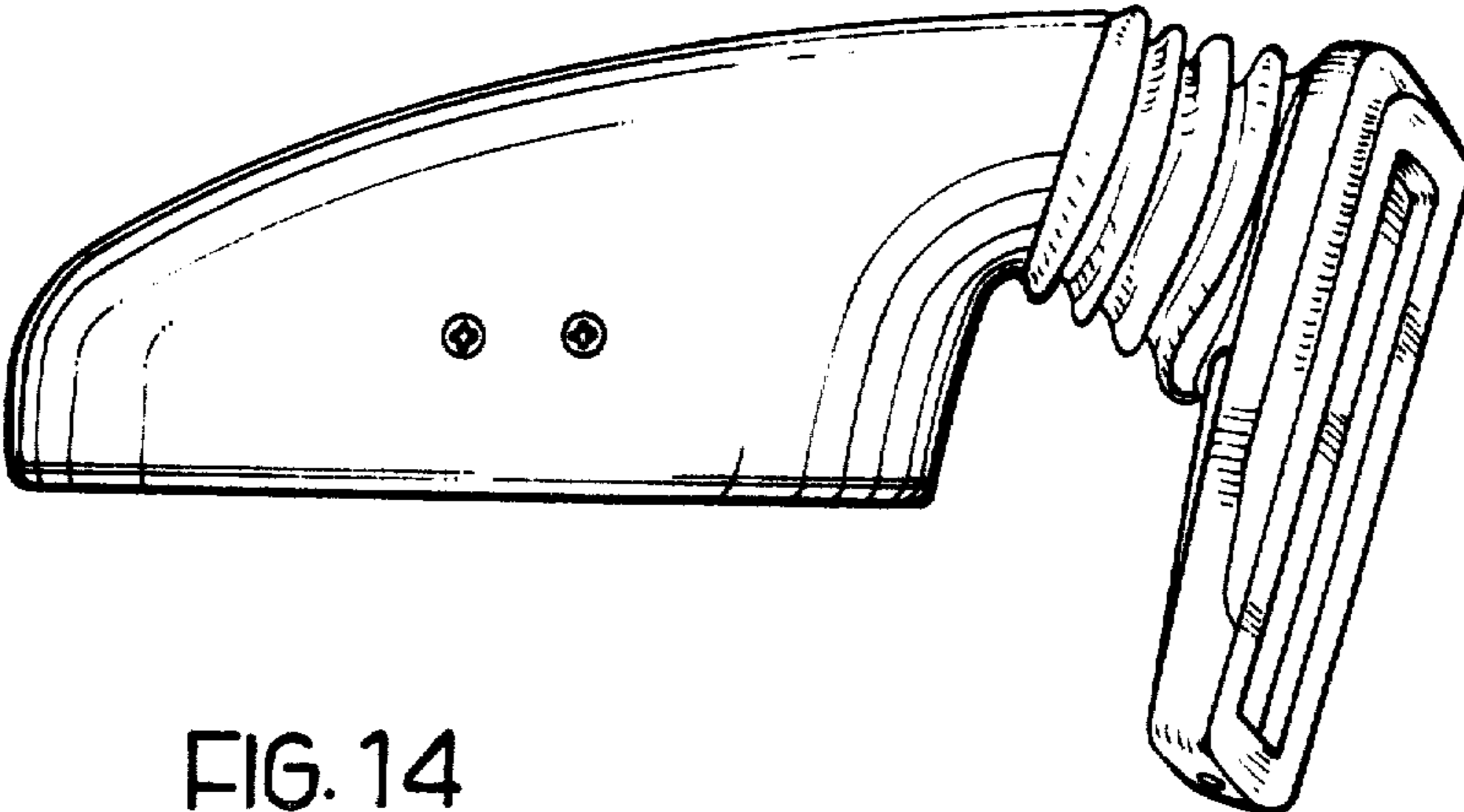


FIG. 14

