

[54] WATCHCASE

[75] Inventor: Jean G. Malamoud, Saint-Jorioz, France

[73] Assignee: S. T. Dupont, Paris, France

[\*\*] Term: 14 Years

[21] Appl. No.: 173,771

[22] Filed: Jul. 30, 1980

[30] Foreign Application Priority Data

Feb. 1, 1980 [FR] France ..... 80 0188

[51] Int. Cl. .... D10-02

[52] U.S. Cl. .... D10/38

[58] Field of Search ..... D10/30-39,  
D10/122-126

[56] References Cited

U.S. PATENT DOCUMENTS

D. 223,272 4/1972 Marquant ..... D10/39  
3,585,794 6/1971 Klingenberg ..... D10/39 X

OTHER PUBLICATIONS

Jewelers' Circular-Keystone, Aug. 1975, p. 39, Item 85/2601 Watch.

European Jeweler, Apr. 1973, p. 110, Oval Watch in upper left illustration.

Primary Examiner—Robert C. Spangler

Attorney, Agent, or Firm—Robert A. Shack

[57] CLAIM

The ornamental design for a watchcase, substantially as shown.

DESCRIPTION

FIG. 1 is a top plan view of a watchcase showing my new design;

FIG. 2 is a left side view, the right side being substantially a mirror image thereof;

FIG. 3 is a bottom plan view thereof;

FIG. 4 is a sectional view along line 4-4 of FIG. 1.

The phantom representations of the watchband and the hands on the watch face are made in the drawings merely for the purpose of illustrating the environment in which the watchcase of the invention is used.

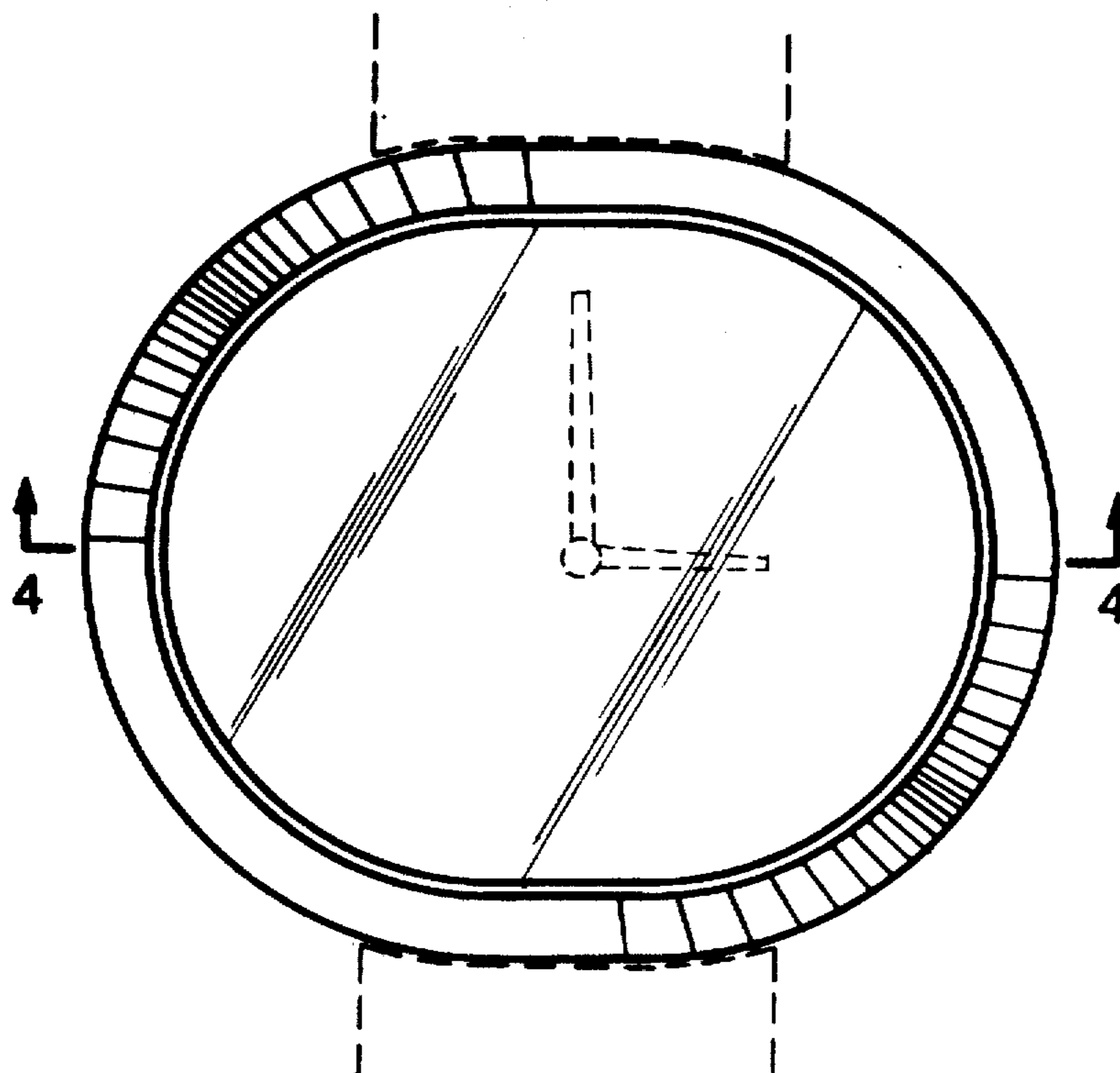


FIG. 3

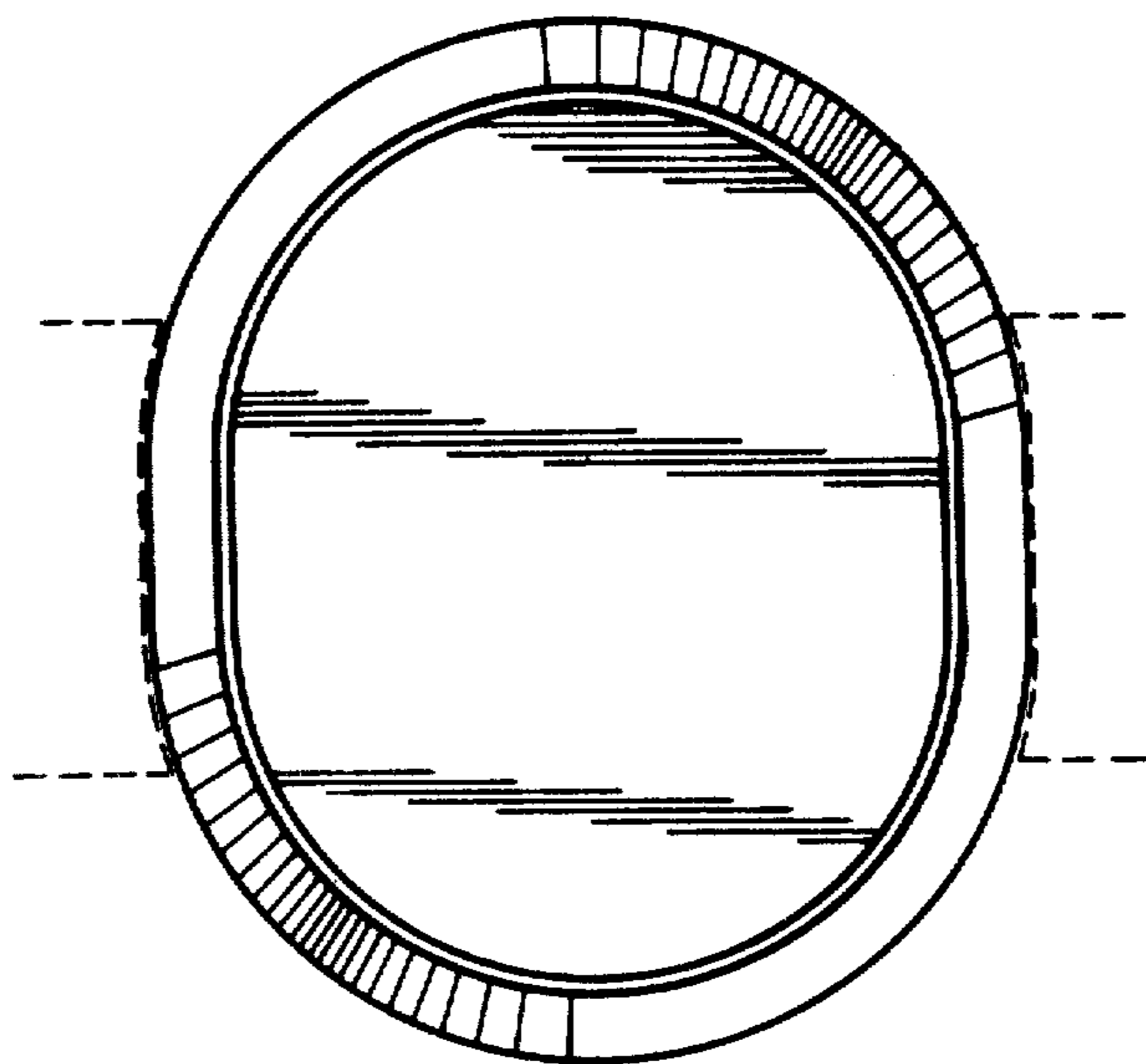


FIG. 2

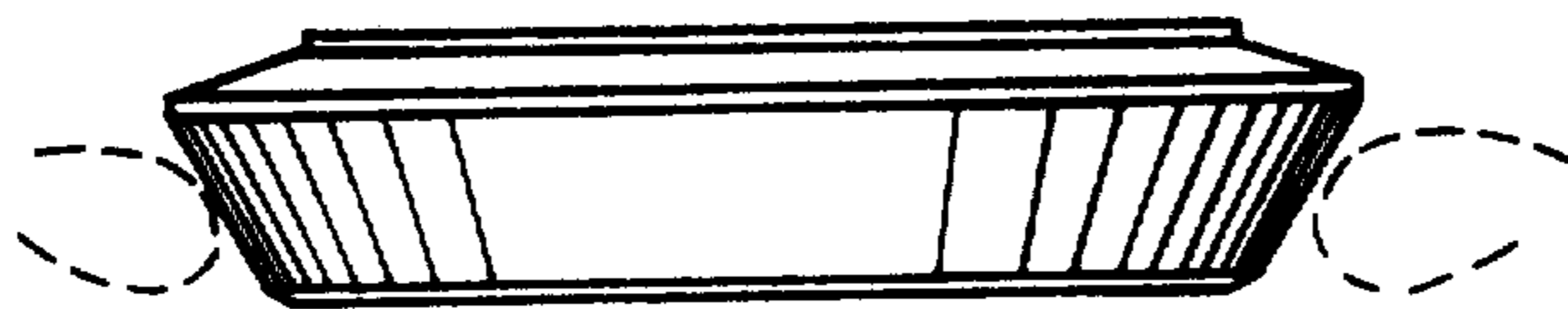


FIG. 1

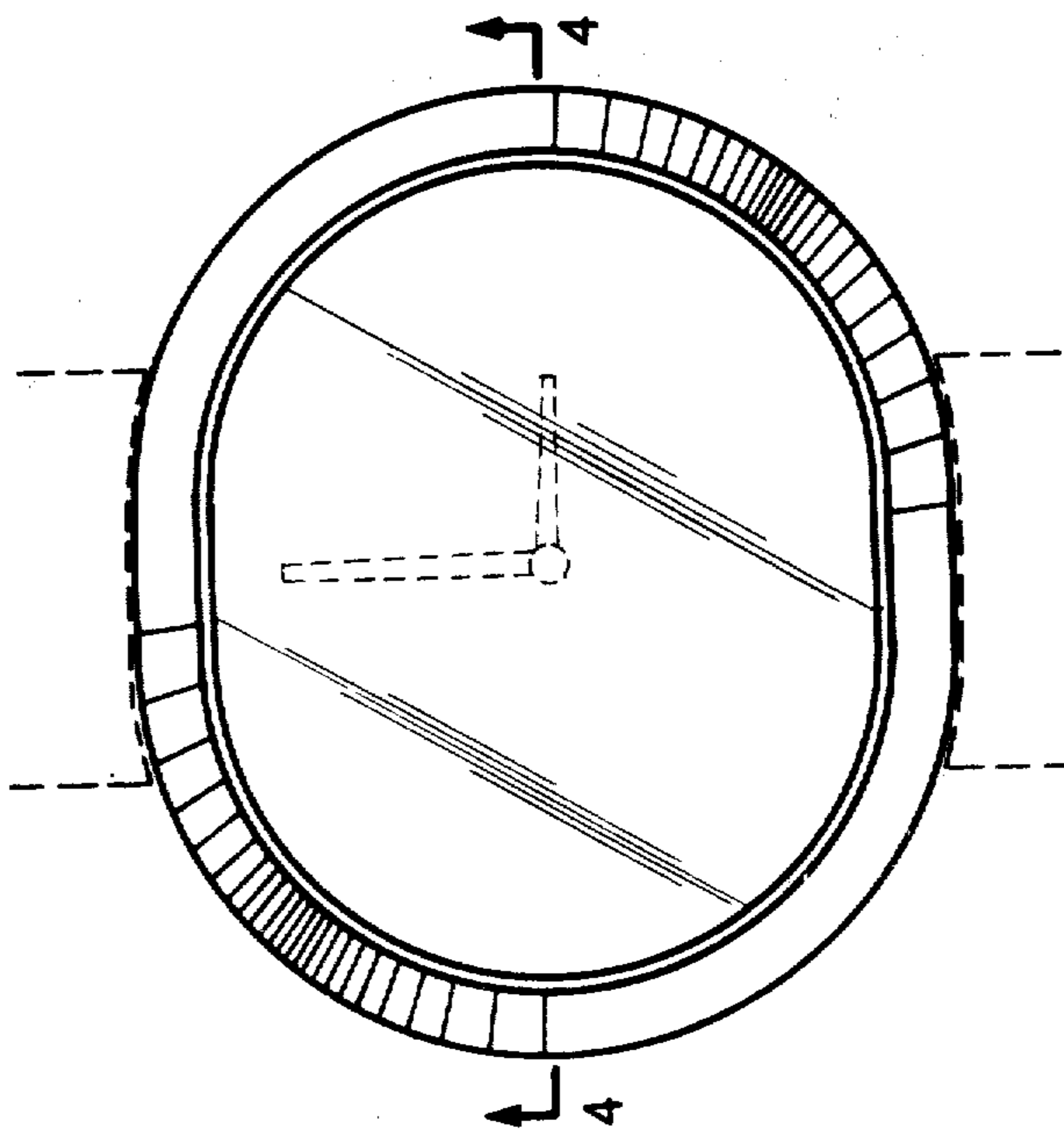


FIG. 4

