

[54] EASEL
 [75] Inventor: Bruno Forte, Spreziano, Italy
 [73] Assignee: Northwest Blueprint & Supply Co., Livonia, Mich.
 [51] Int. Cl. D6—99
 [52] U.S. Cl. D6/180; D6/29
 [58] Field of Search D6/29, 180; 248/449

2,032,872 3/1936 Friedrichs 248/449
 4,042,203 8/1977 Warkentin 248/449

Primary Examiner—Bruce W. Dunkins
 Attorney, Agent, or Firm—Barnes, Kisselle, Raisch, Choate, Whittemore & Hulbert

[**] Term: 14 Years
 [21] Appl. No.: 383,540
 [22] Filed: Jun. 1, 1982

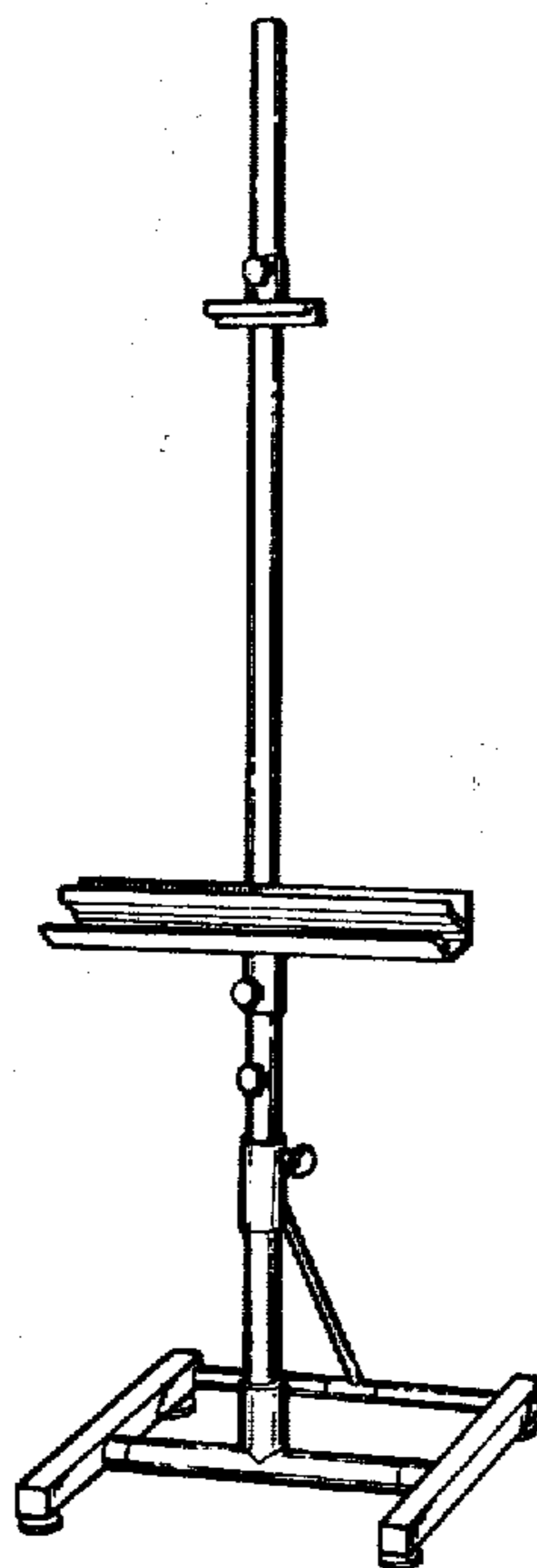
[57] CLAIM

The ornamental design for an easel, substantially as shown and described.

DESCRIPTION

FIG. 1 is a perspective view of an easel embodying this invention.
 FIG. 2 is an elevational view of the left-hand side of the easel of FIG. 1.
 FIG. 3 is an elevational front view of the easel of FIG. 1.
 FIG. 4 is an elevational back view of the easel of FIG. 1.
 FIG. 5 is a top view of the easel of FIG. 1.
 FIG. 6 is a bottom view of the easel of FIG. 1.

[56] References Cited
 U.S. PATENT DOCUMENTS
 D. 18,379 12/1899 Bonnet et al. D6/29
 D. 49,664 9/1916 Farmer D6/29
 D. 200,581 3/1965 Cole D6/180
 D. 204,272 4/1966 Bulman D6/180



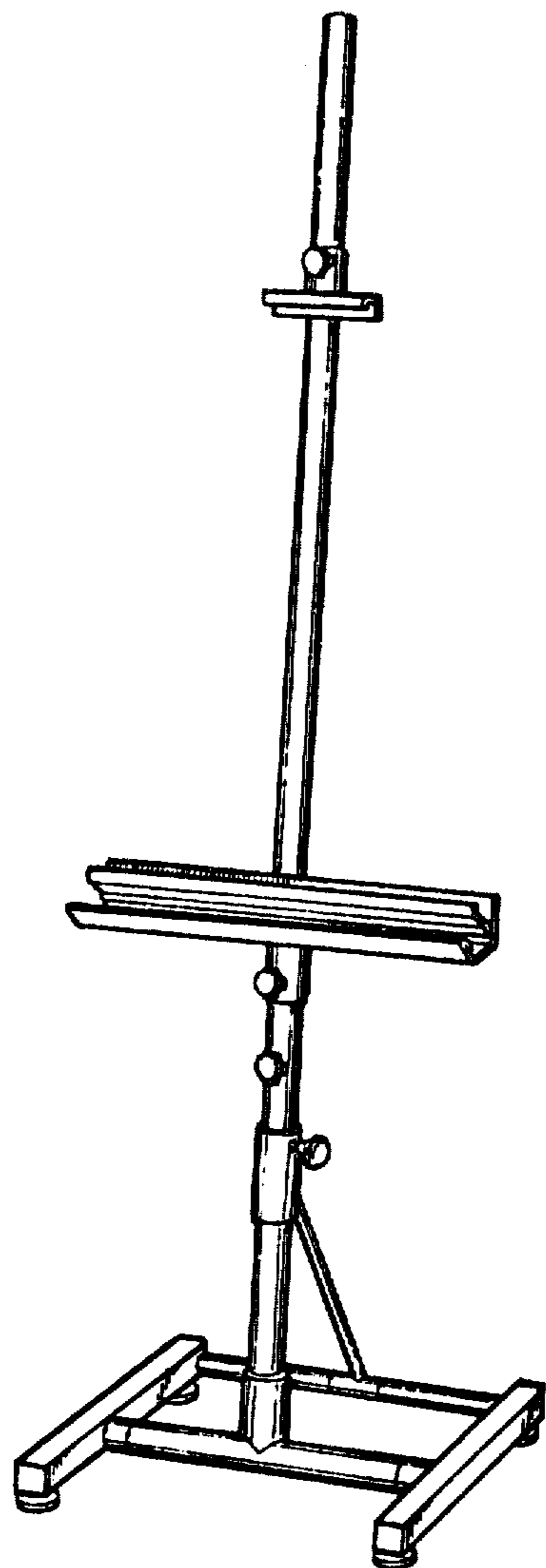


Fig-1

Fig-2

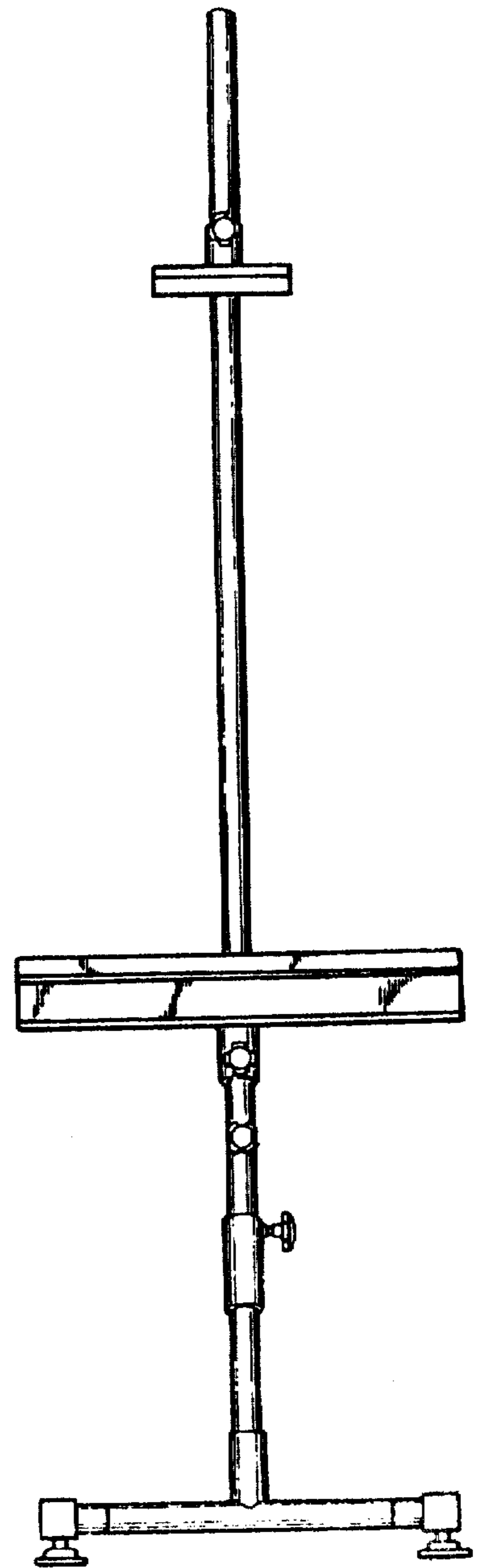
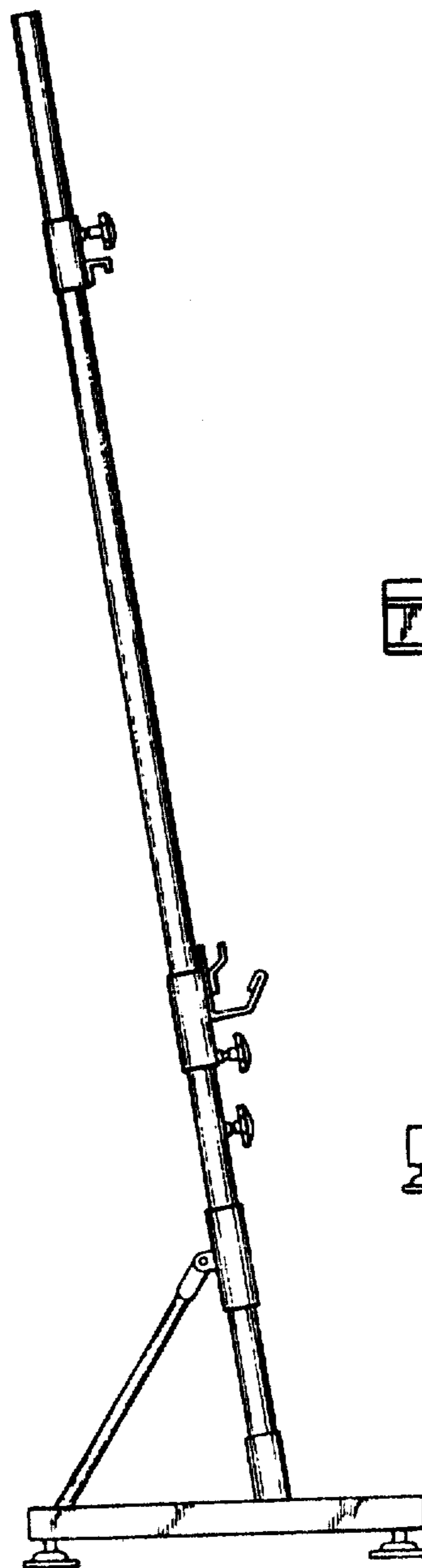


Fig-3

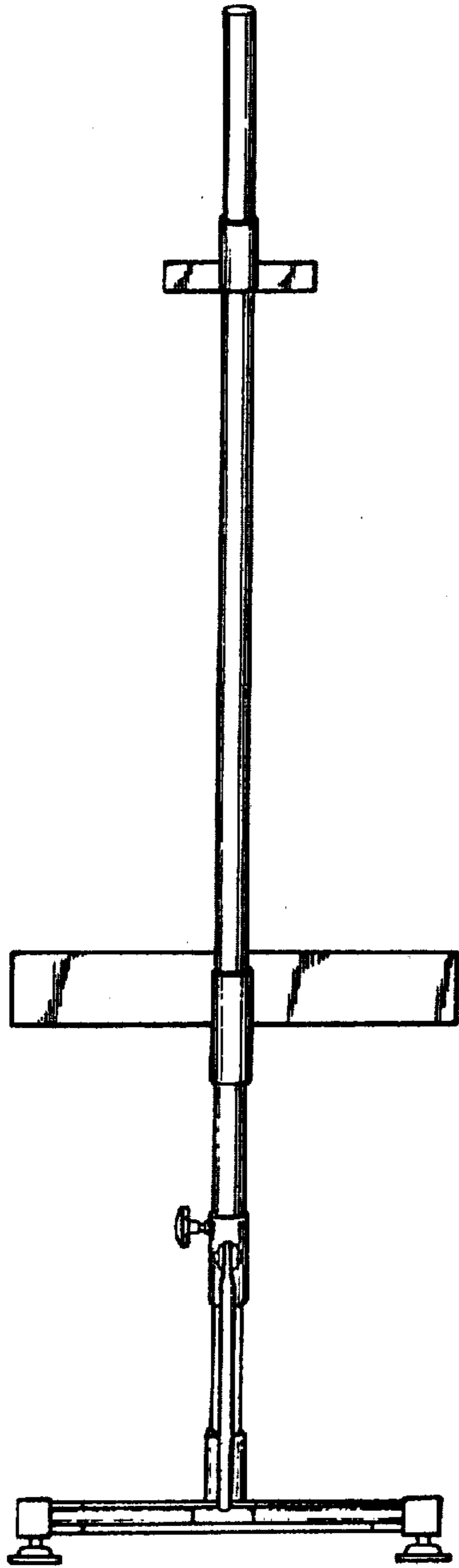


Fig-4

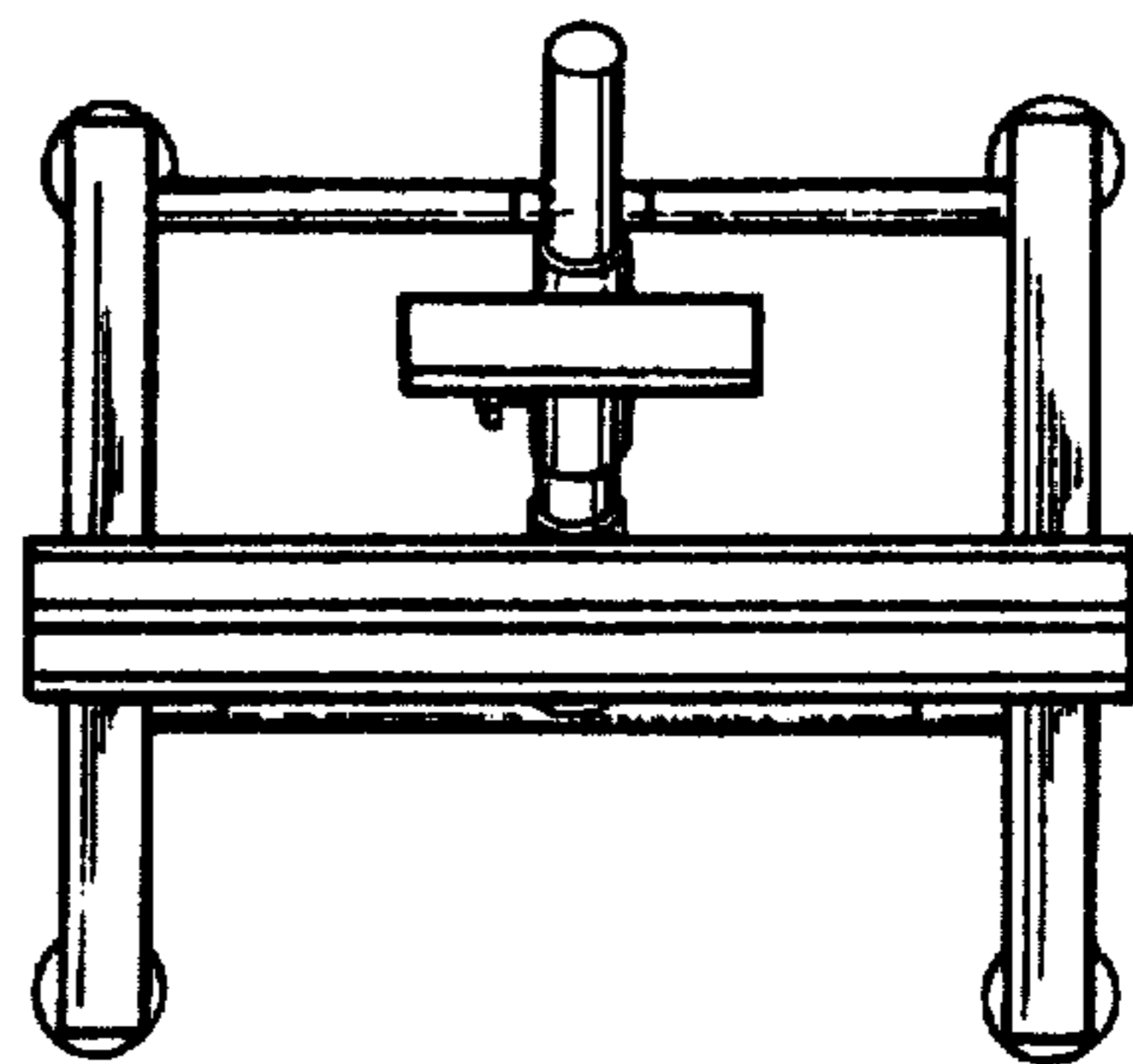


Fig-5

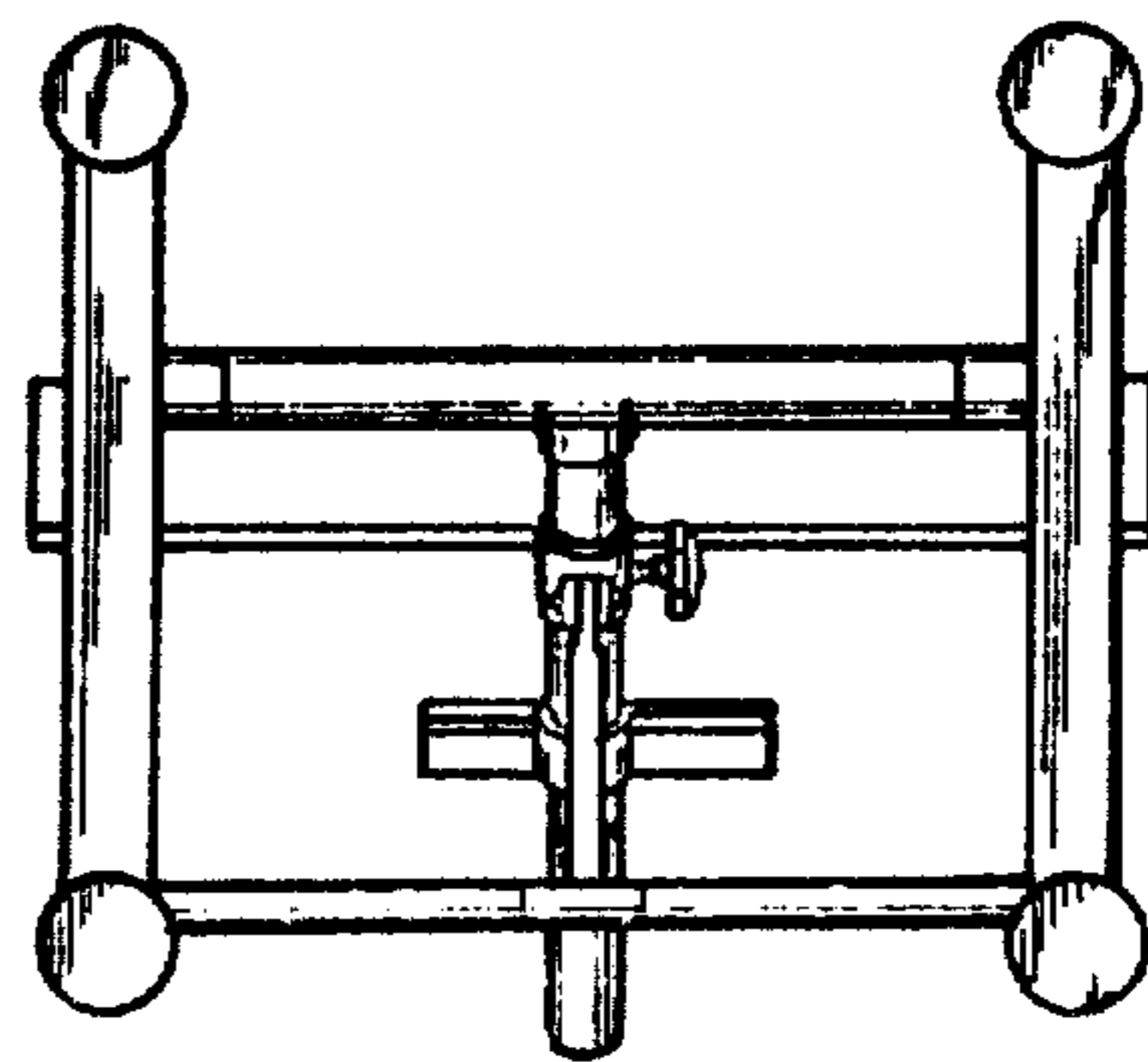


Fig-6