

[54] WINE RACK

1,194,670 8/1916 Schmidt 211/74 X
3,896,936 7/1975 Notarius 211/74

[76] Inventor: William Tucker, 1913 Dupont Ave.,
Minneapolis, Minn. 55405

Primary Examiner—Joel Stearman
Assistant Examiner—Carmen H. Vales
Attorney, Agent, or Firm—Michael B. Lasky

[**] Term: 14 Years

[21] Appl. No.: 266,752

[57] CLAIM

[22] Filed: May 26, 1981

The ornamental design for a wine rack, substantially as shown and described.

[51] Int. Cl. D06—04

[52] U.S. Cl. D6/157

[58] Field of Search D6/87, 157, 181, 186,
D6/188; D7/71; 211/74, 75, 77

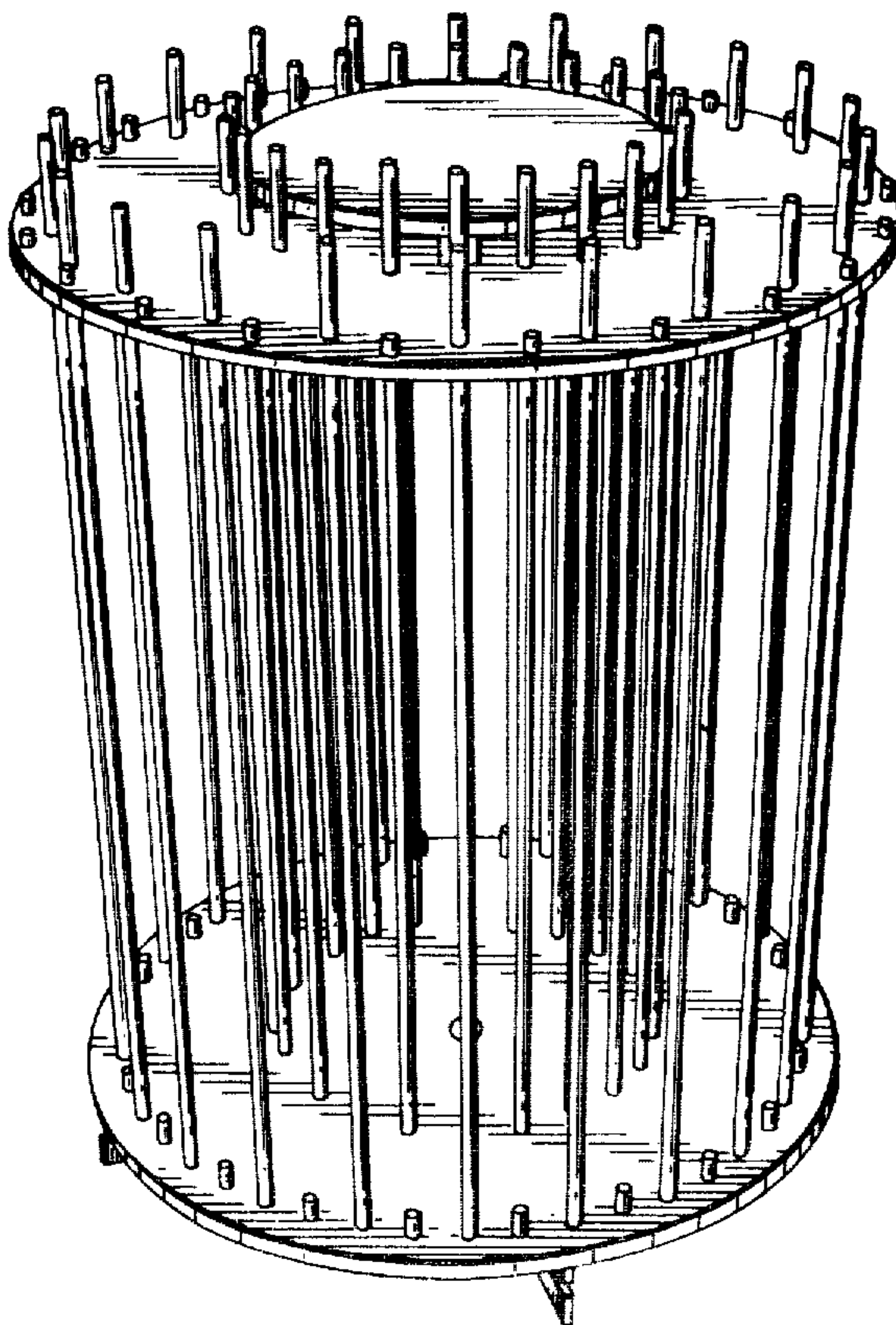
DESCRIPTION

FIG. 1 is a front and top perspective view of a wine rack showing my new design;
FIG. 2 is a front elevational view thereof, the sides not shown being similar to that shown;
FIG. 3 is a top plan view thereof;
FIG. 4 is a bottom plan view thereof; and
FIG. 5 is a horizontal sectional view taken along line 5—5 of FIG. 2.

[56] References Cited

U.S. PATENT DOCUMENTS

D. 232,204 7/1974 Kaner D7/71 X
D. 256,640 9/1980 Farwell et al. D6/157 X



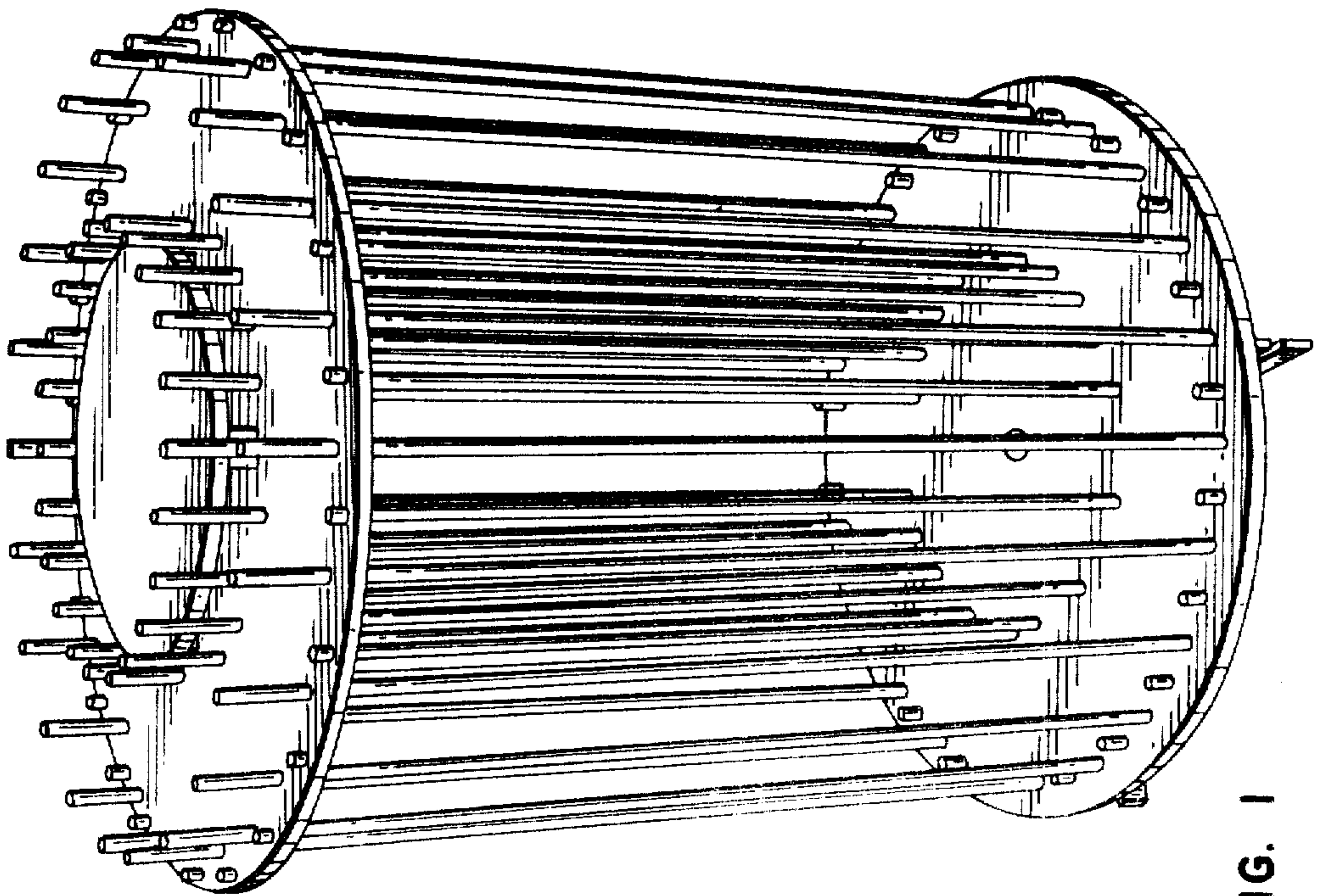


FIG. 1

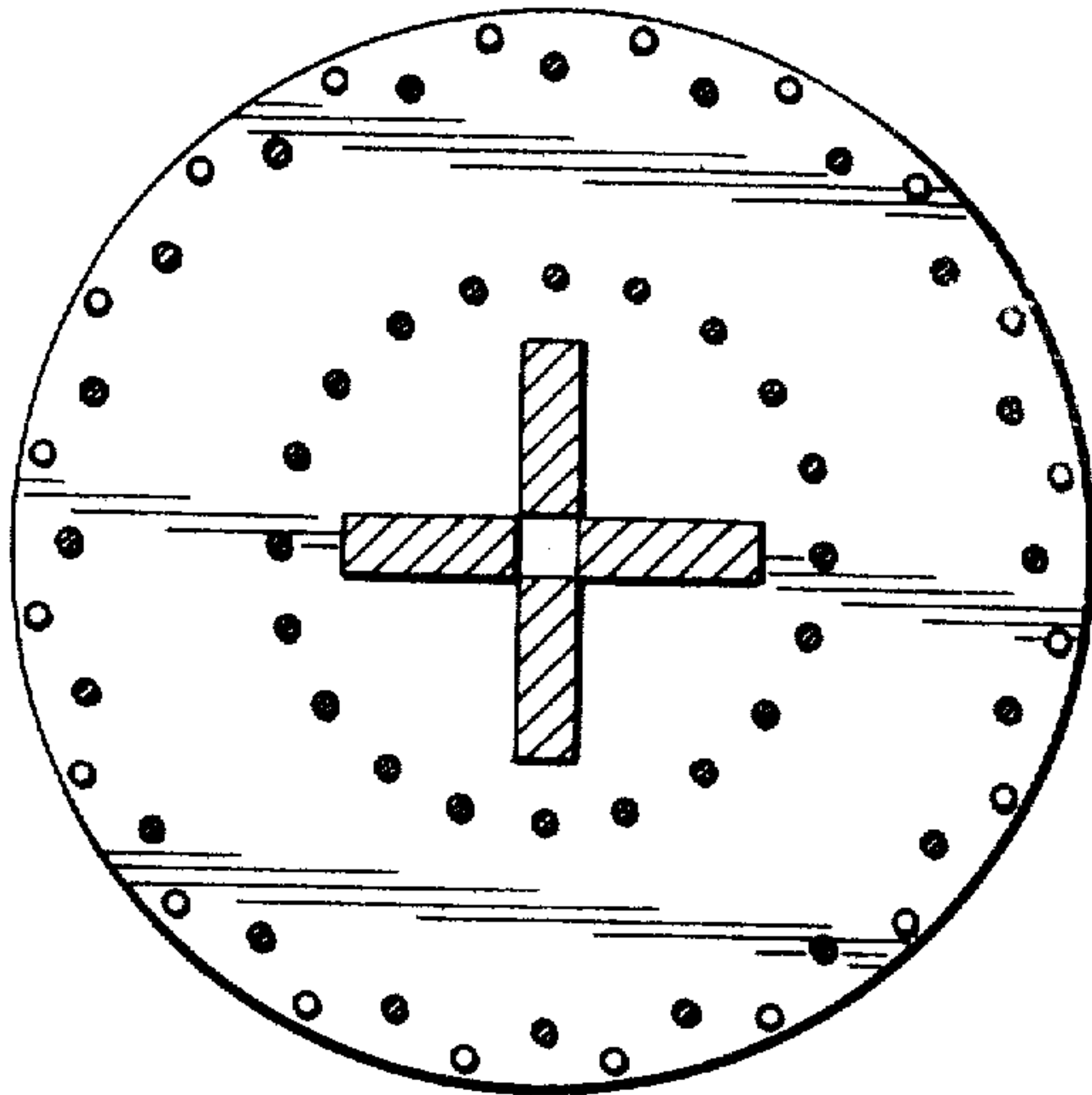


FIG. 5

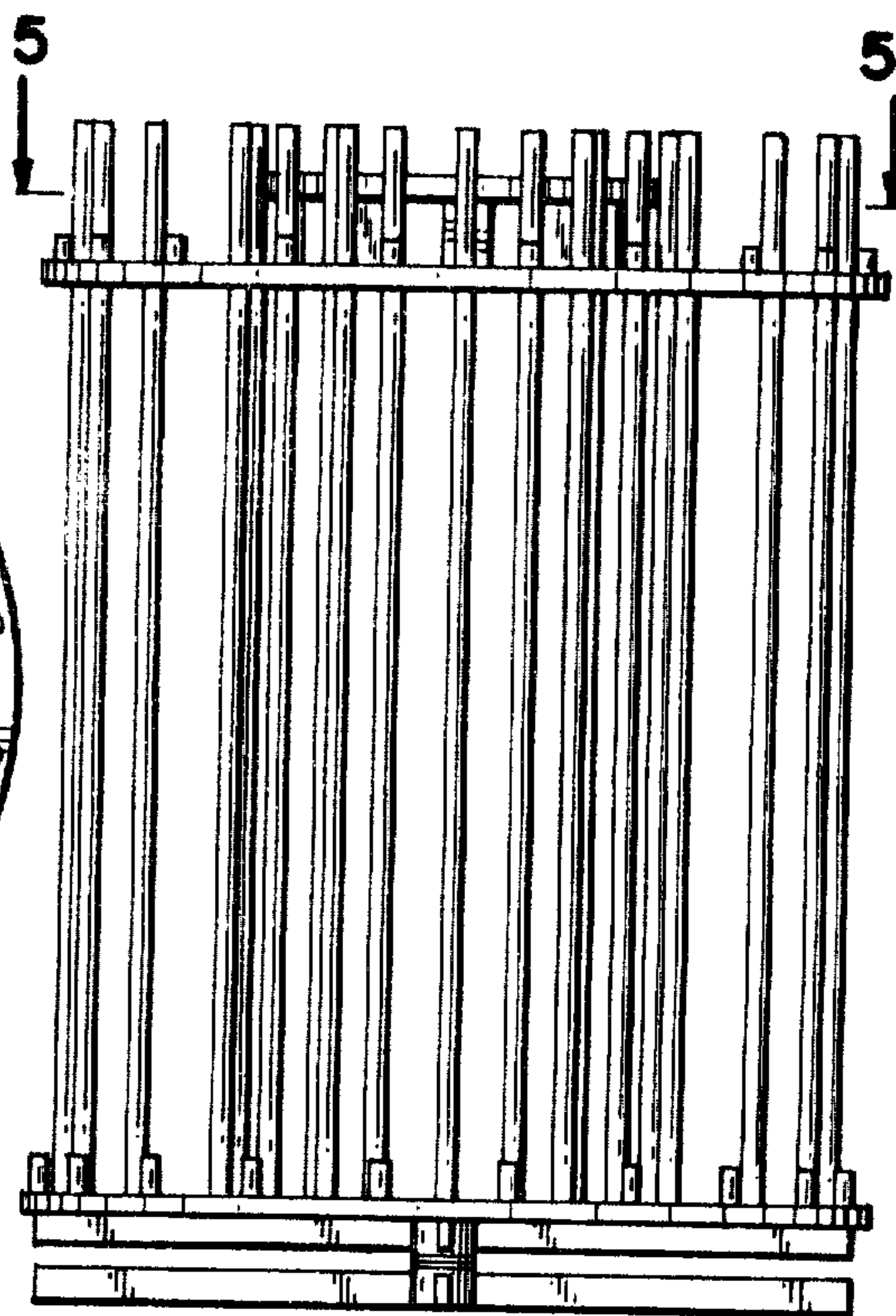


FIG. 2

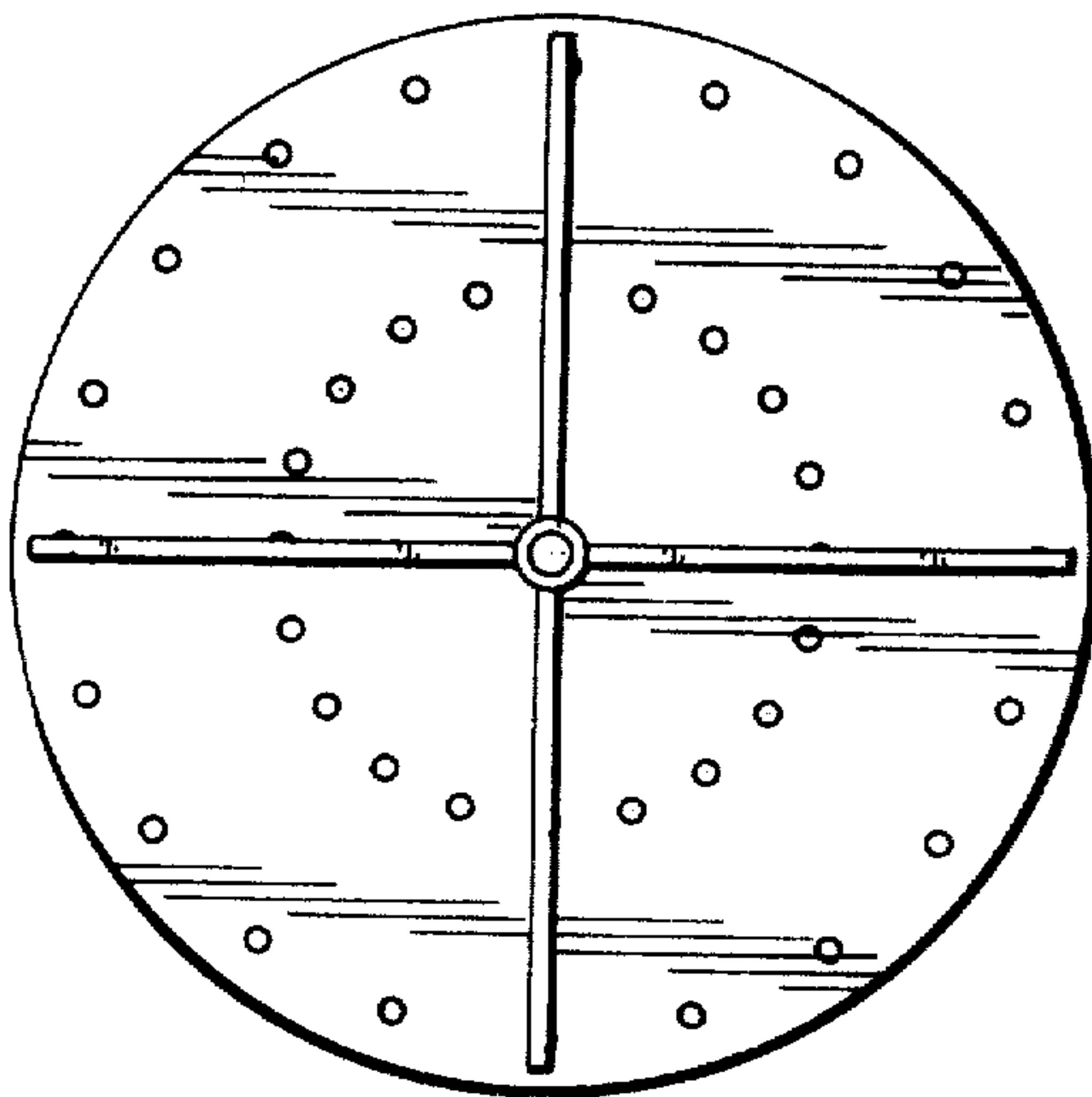


FIG. 4

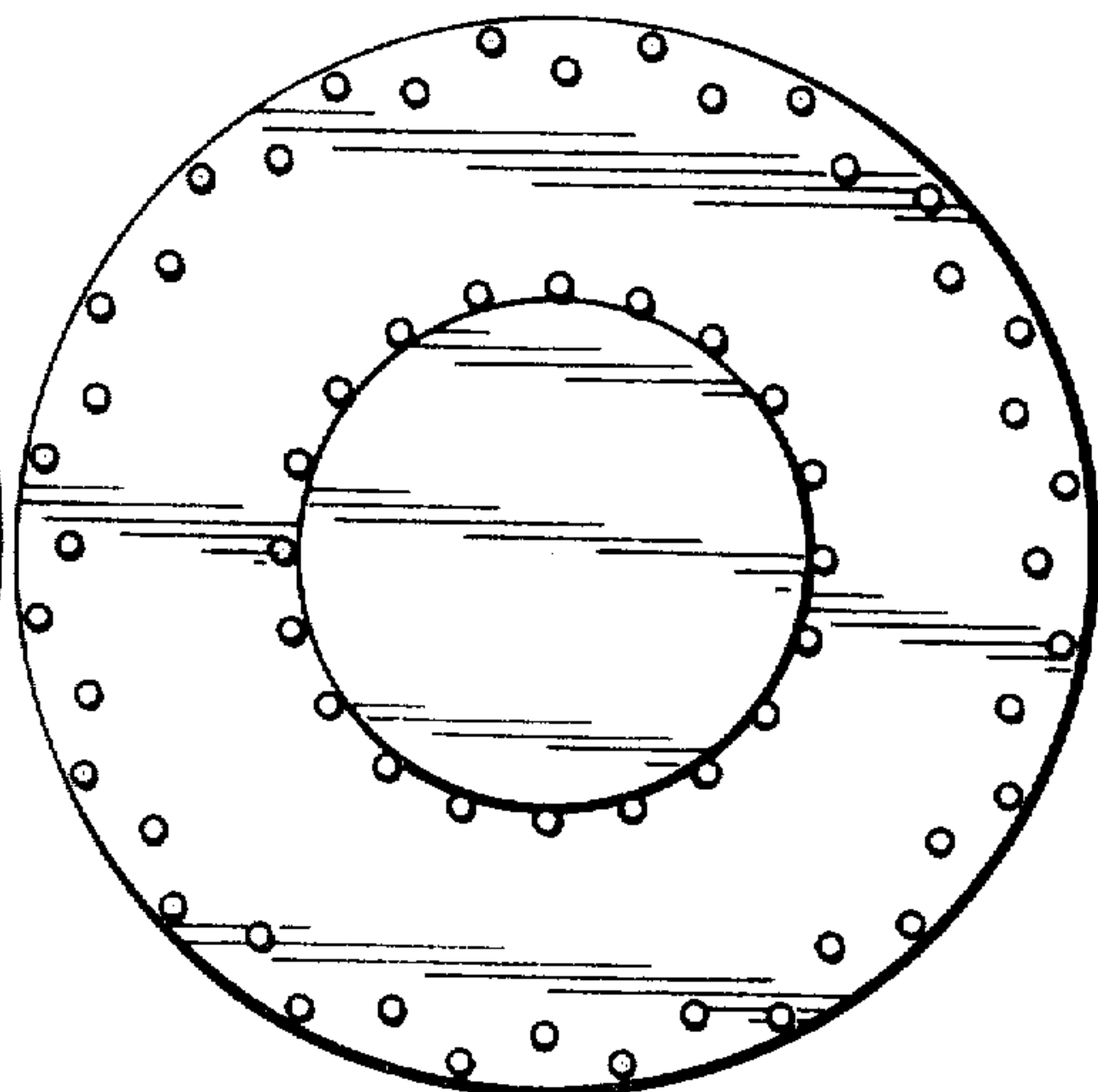


FIG. 3