

[54] DISPENSER FOR FLUID OR SEMI-FLUID MATERIALS

[75] Inventor: Gary B. Kleman, St. Louis, Mo.

[73] Assignee: Calgon Corporation, Pittsburgh, Pa.

[**] Term: 14 Years

[21] Appl. No.: 275,007

[22] Filed: Jun. 18, 1981

[51] Int. Cl. D23-02

[52] U.S. Cl. D6/95

[58] Field of Search D6/89, 91, 95, 96, 97, D6/127, 145; 222/173, 180, 181, 185, 156, 159, 215

[56] References Cited

U.S. PATENT DOCUMENTS

- 2,797,054 6/1957 Ruch 242/55.3
- 3,459,343 8/1969 Rasmussen 222/185

OTHER PUBLICATIONS

Sweets' Arch. Catalog File, 1972, (Bath Accessories), section 10,17/WA, p. 125, in middle of page, left side; W-835.

Primary Examiner—Wallace R. Burke
Assistant Examiner—Suzanne N. Gitlin
Attorney, Agent, or Firm—R. Brent Olson; Michael C. Sudol

[57] CLAIM

The ornamental design for a dispenser for fluid or semi-fluid materials, substantially as shown and described.

DESCRIPTION

FIG. 1 is a front perspective view of a dispenser for fluid or semi-fluid materials showing my new design; FIG. 2 is a side elevational view taken from the right of FIG. 1; FIG. 3 is a top plan view thereof; FIG. 4 is a front elevational view thereof; FIG. 5 is a back elevational view thereof; FIG. 6 is a bottom plan view thereof.

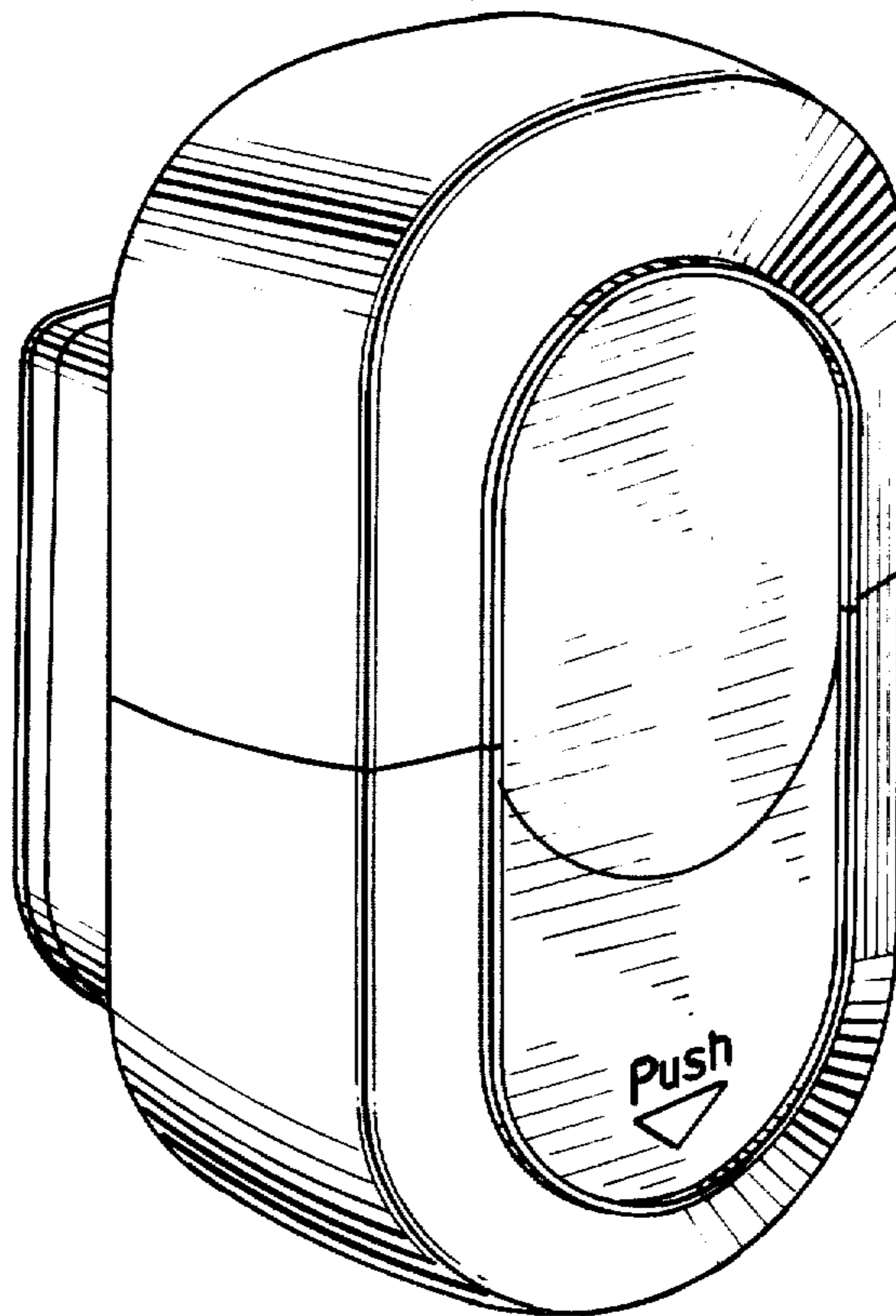


Fig. 1.

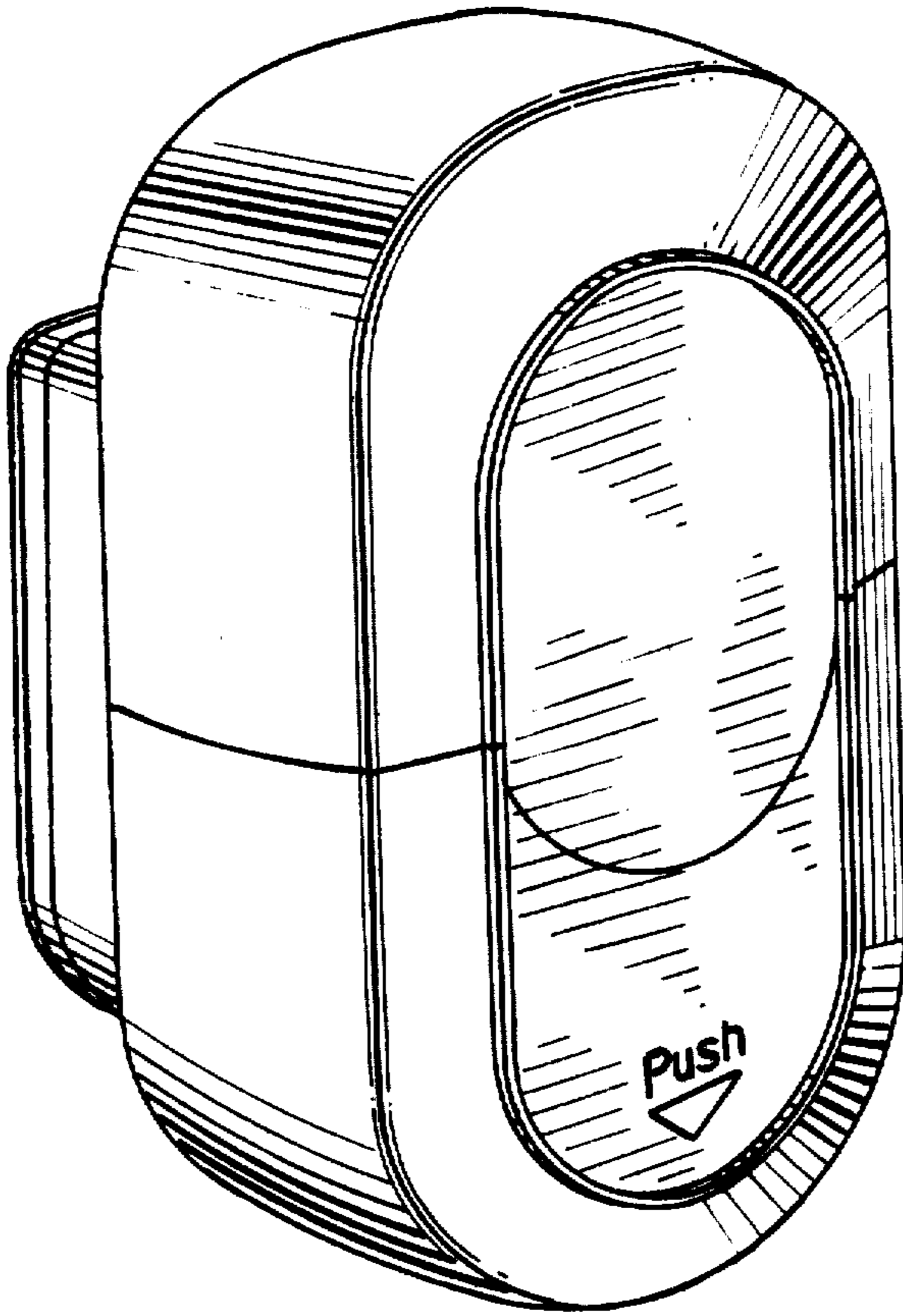


Fig. 2.

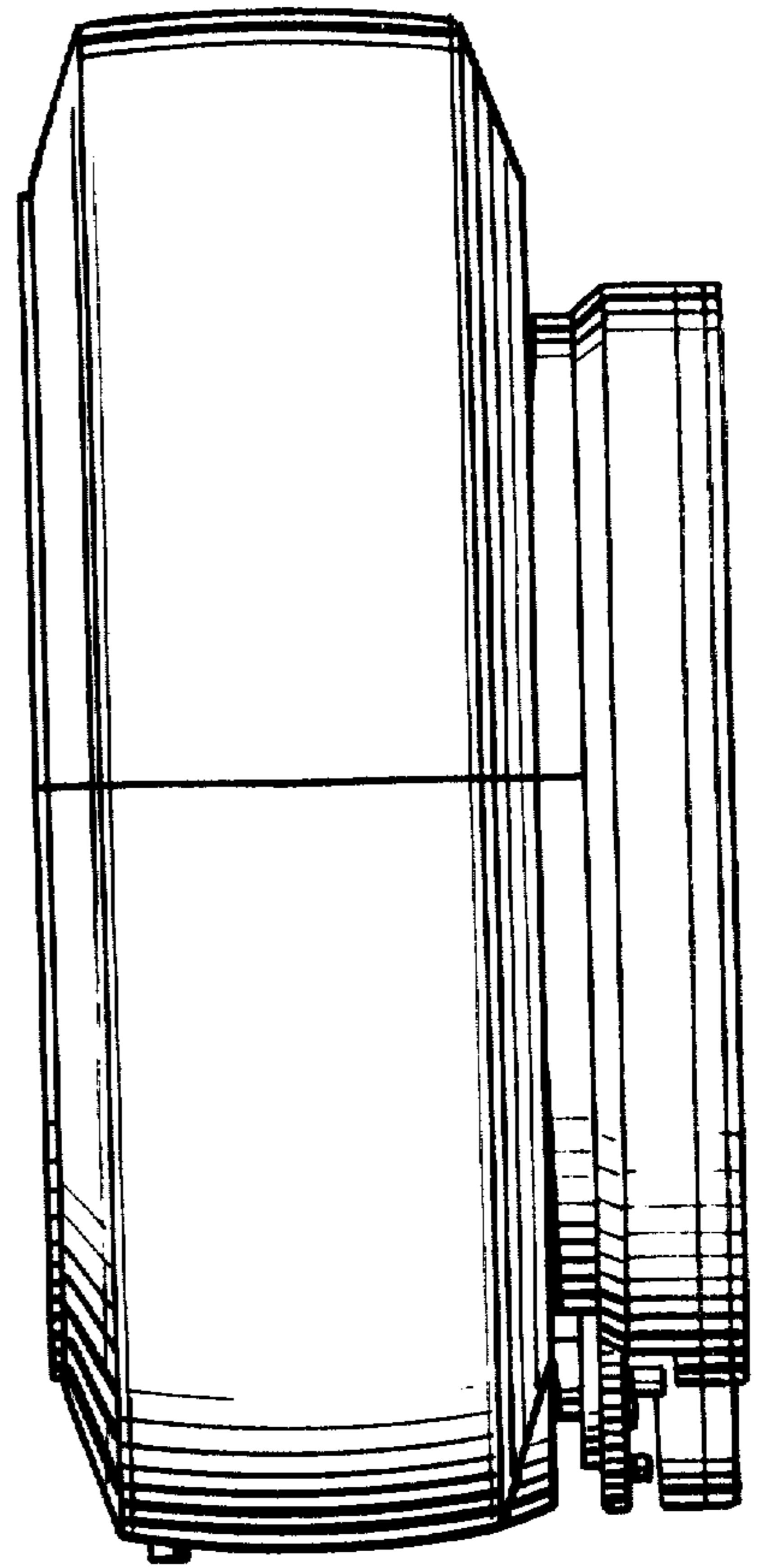


Fig. 3.

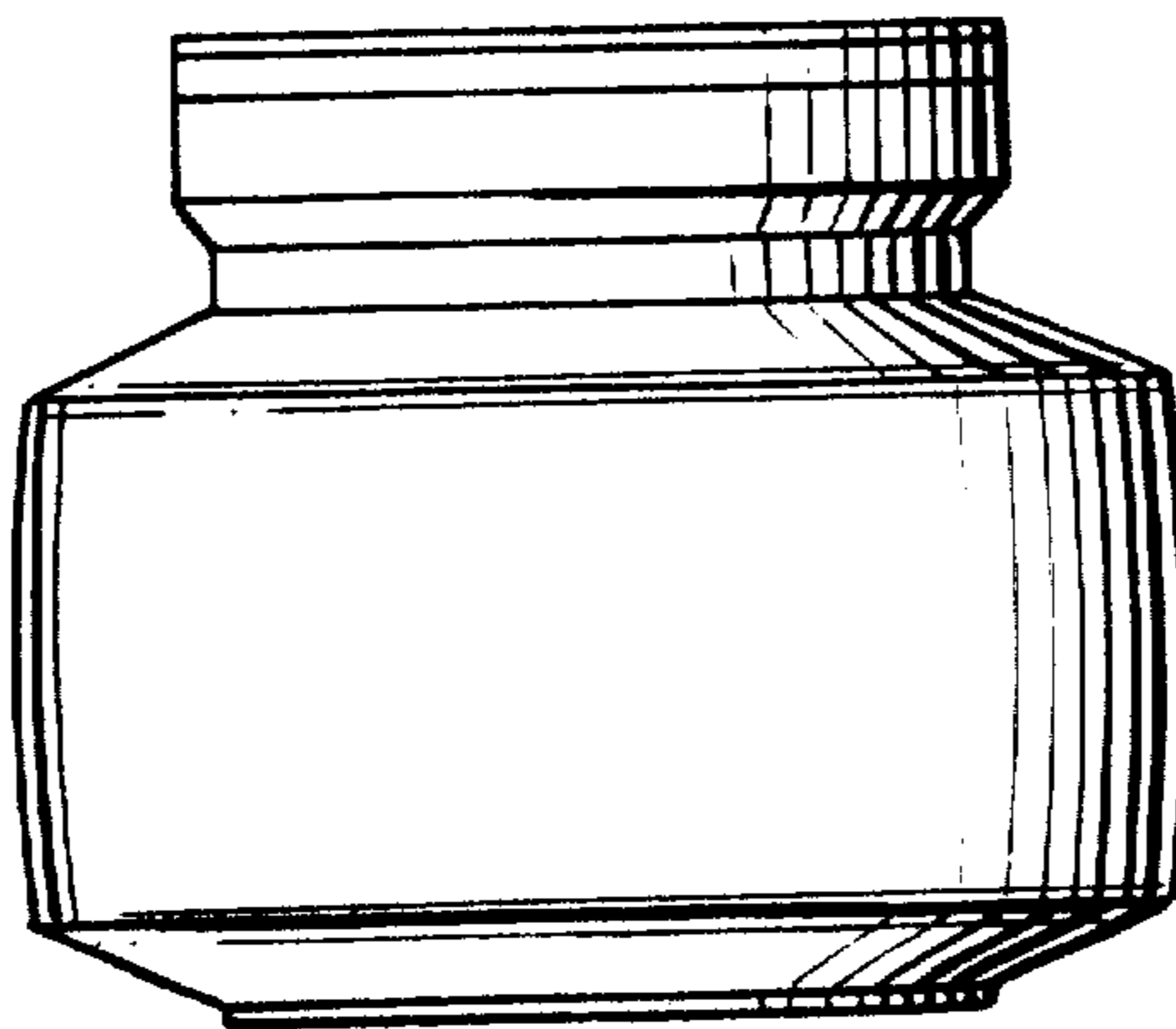


Fig. 4.

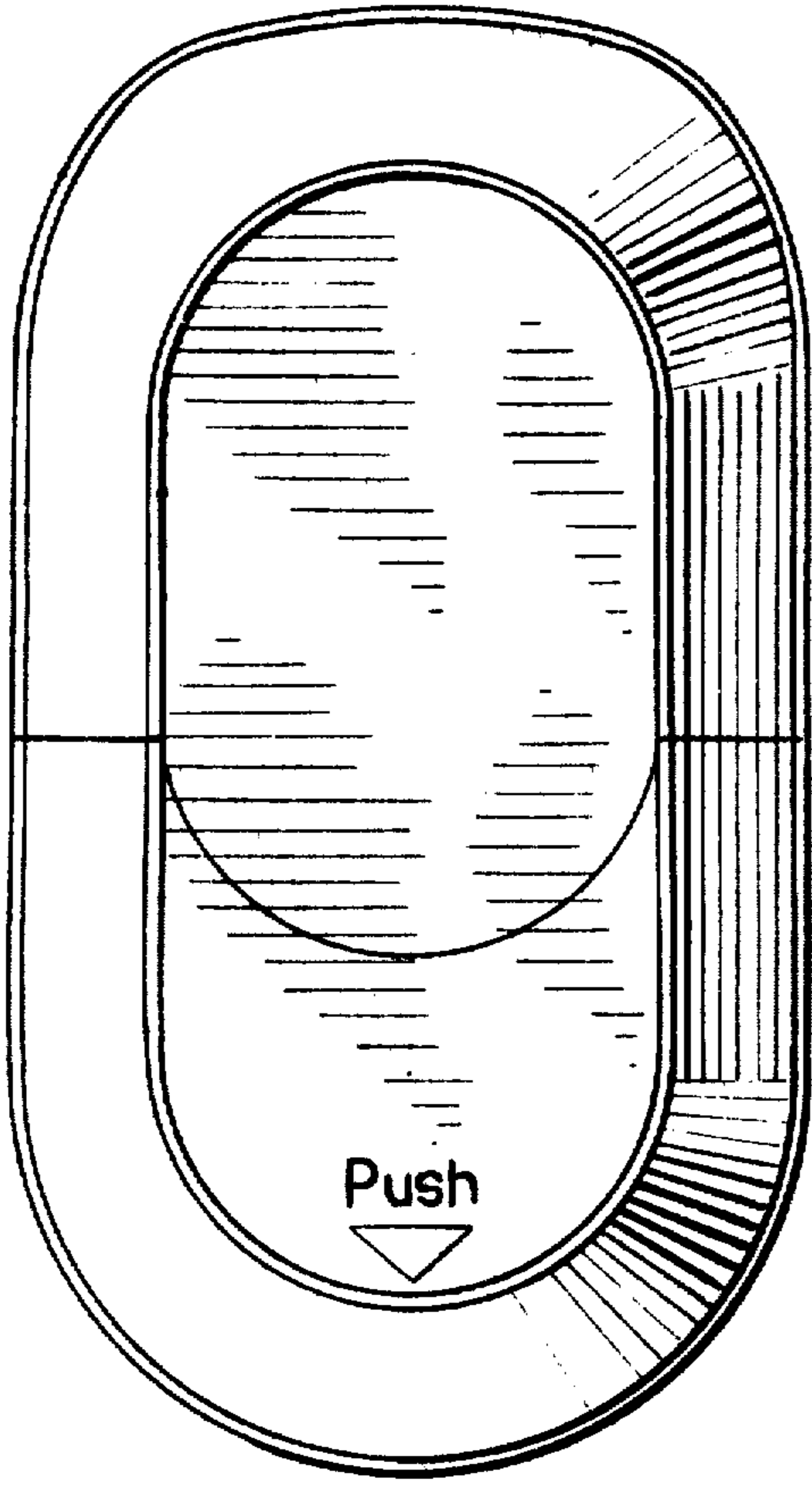


Fig. 5.

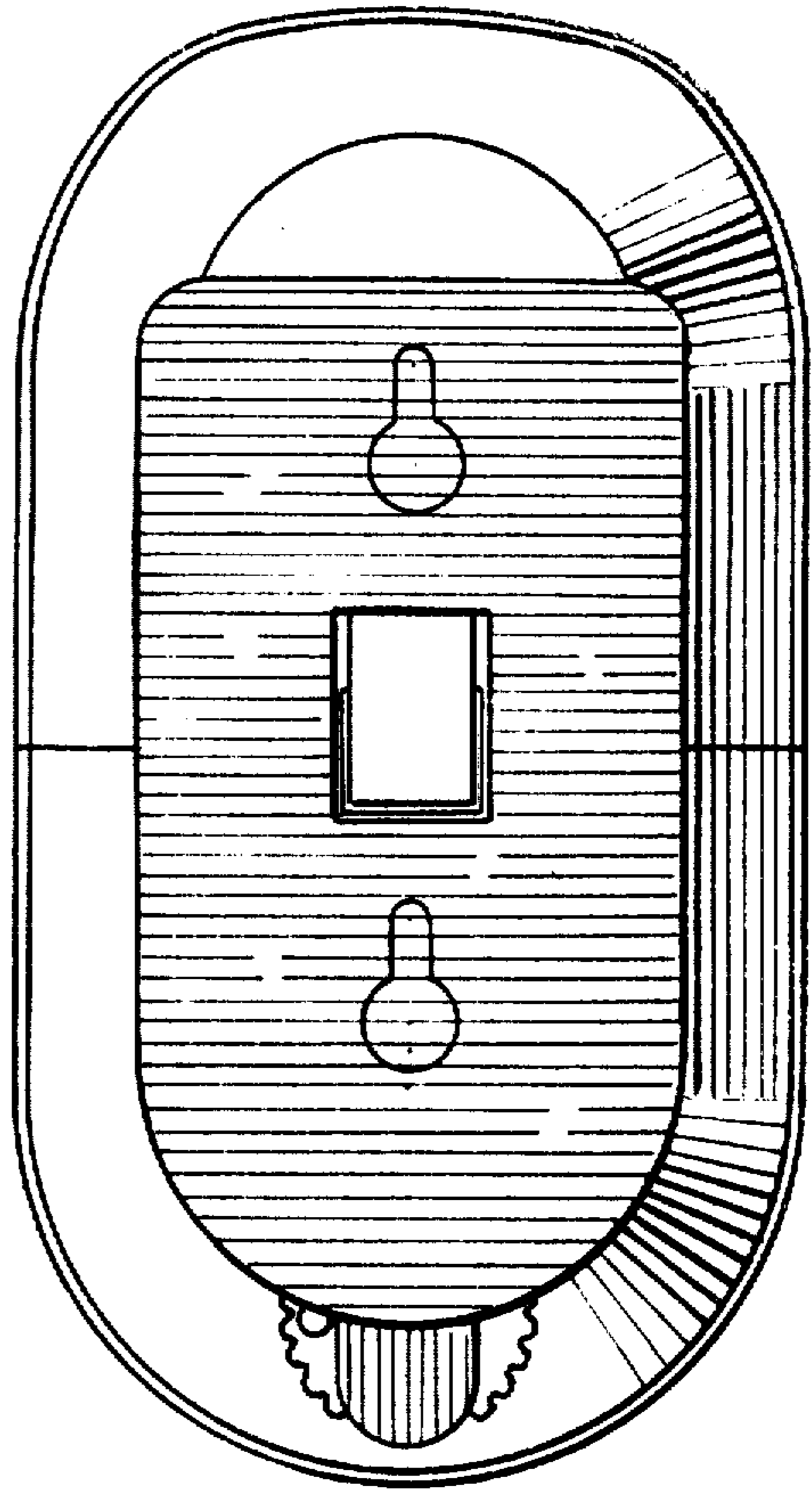


Fig. 6.

