

[54] **ARM CHAIR**

[75] Inventor: **Arthur C. Crockett, Cincinnati, Ohio**

[73] Assignee: **Simmons Universal Corporation,  
New York, N.Y.**

[\*\*] Term: **14 Years**

[21] Appl. No.: **311,698**

[22] Filed: **Oct. 14, 1981**

[51] Int. Cl. .... **D6—01**  
[52] U.S. Cl. .... **D6/69; D6/72**  
[58] Field of Search .... **D6/27, 37-39,  
D6/47-78**

[56]

**References Cited**

**U.S. PATENT DOCUMENTS**

D. 226,747 4/1973 Koepke ..... D6/69  
D. 252,901 9/1979 Petersen ..... D6/69  
D. 253,678 12/1979 Gibilterra ..... D6/56  
D. 259,750 7/1981 Buhk ..... D6/31

**OTHER PUBLICATIONS**

Patio Sales Catalog, Oct. 11, 1960, p. 10 Chair No. 201.

*Primary Examiner*—Bruce W. Dunkins

[57]

**CLAIM**

The ornamental design for an arm chair, as shown and described.

**DESCRIPTION**

FIG. 1 is a front perspective view of an arm chair showing my design;  
FIG. 2 is a front view thereof;  
FIG. 3 is a side view thereof; and  
FIG. 4 is a rear view thereof.

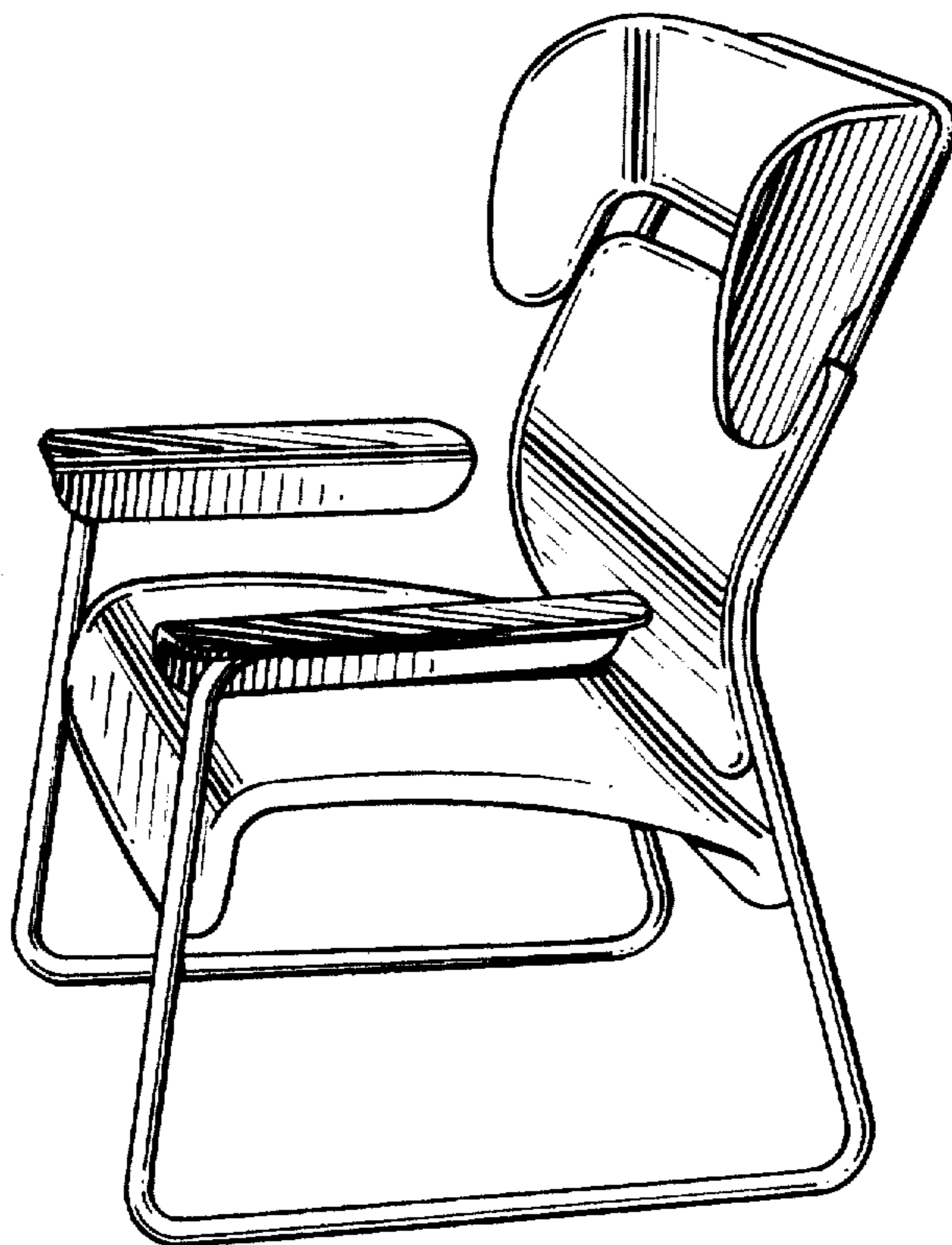


Fig. 2.

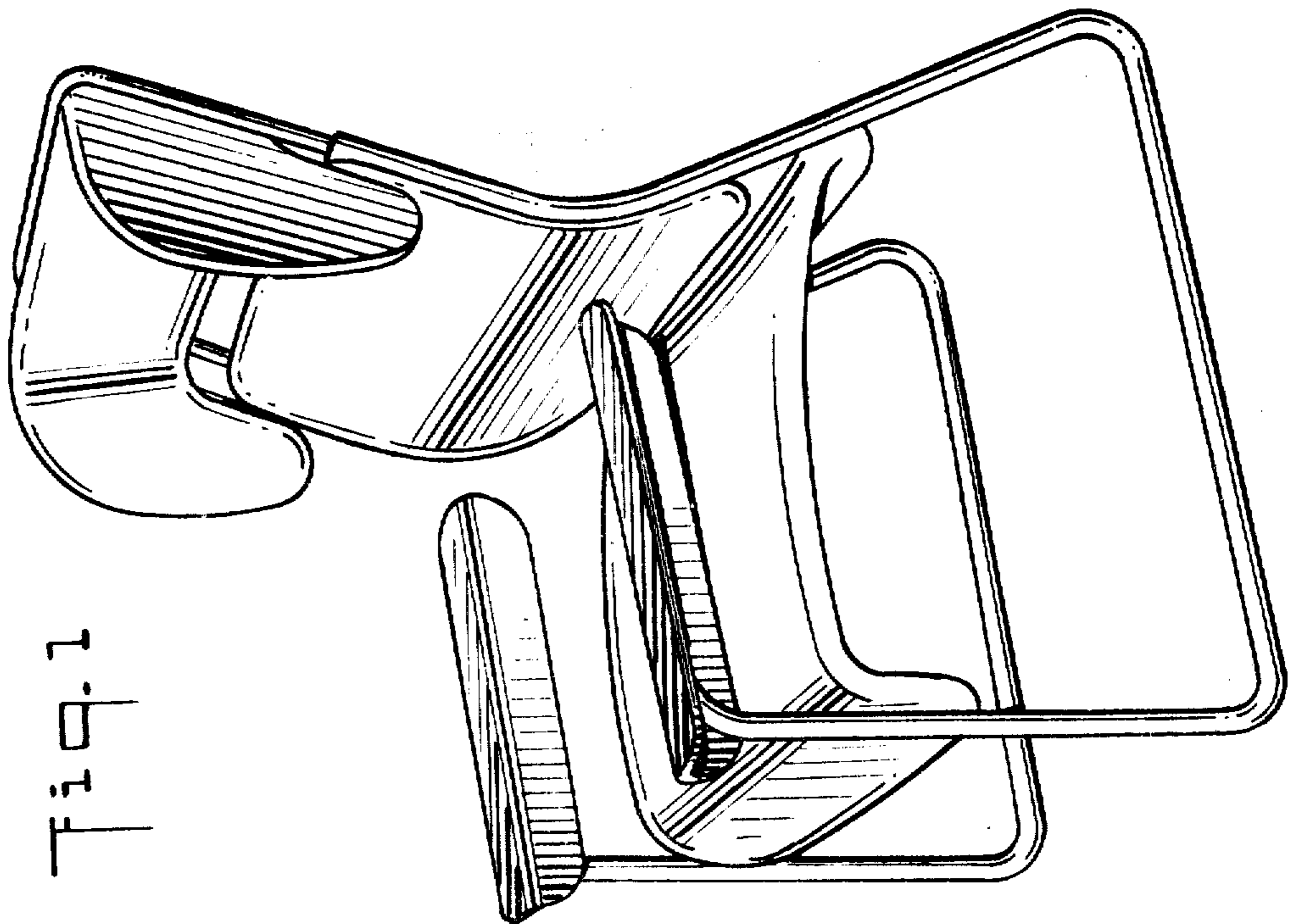
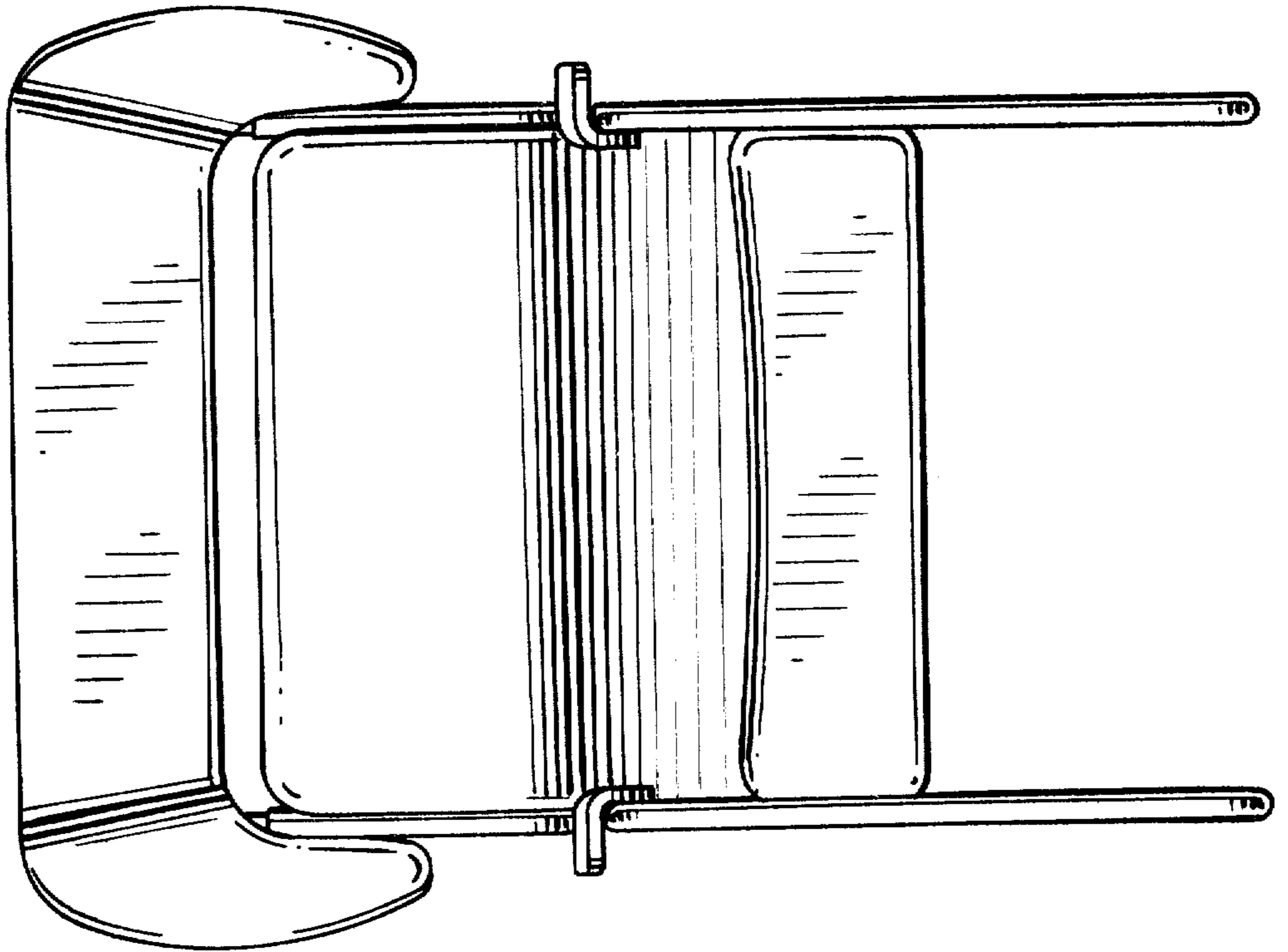


Fig. 1

Fig. 4.

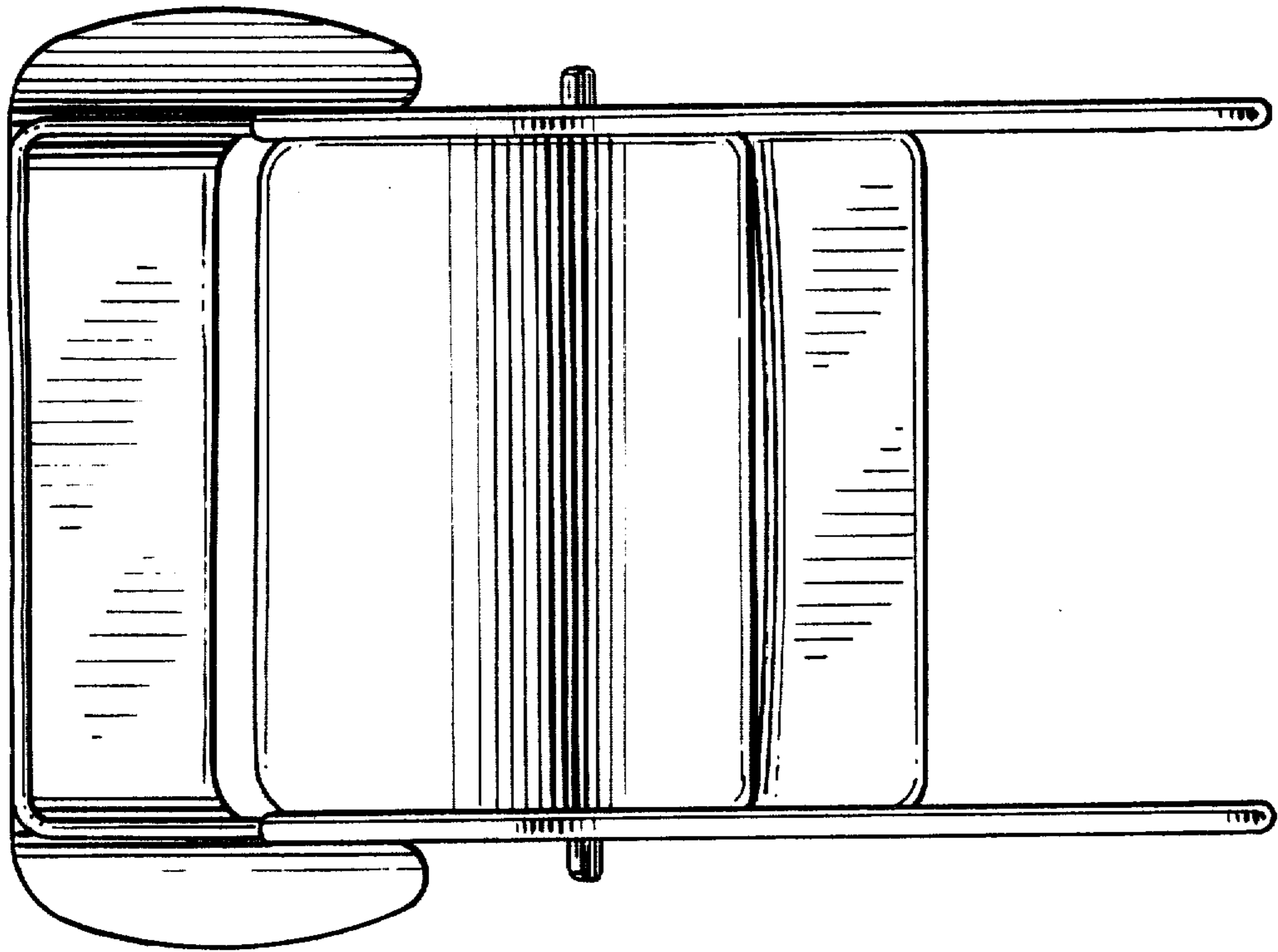


Fig. 3.

