

[54] COMBINED LITTER BASKET AND SNACK TRAY FOR A MOTOR VEHICLE

[75] Inventor: Daniel F. Lehner, Coshocton, Ohio

[73] Assignee: Pretty Products, Inc., Coshocton, Ohio

[\*\*] Term: 14 Years

[21] Appl. No.: 349,606

[22] Filed: Feb. 17, 1982

[51] Int. Cl. .... D12-16

[52] U.S. Cl. .... D3/40; D3/74

[58] Field of Search ..... D3/30.1, 40, 74, 78; D12/155; 224/275; D7/38, 77

[56] References Cited

U.S. PATENT DOCUMENTS

- D. 208,217 8/1967 Castloo ..... D3/40
- D. 232,870 9/1974 Wooster ..... D3/40
- D. 264,525 5/1982 Page, Jr. .... D3/40

D. 267,444 1/1983 Ruxton ..... D3/40

Primary Examiner—George P. Word  
Attorney, Agent, or Firm—Porter, Wright, Morris & Arthur

[57] CLAIM

The ornamental design for a combined litter basket and snack tray for a motor vehicle, as shown and described.

DESCRIPTION

FIG. 1 is a perspective view of a combined litter basket and snack tray for a motor vehicle showing my new design;  
 FIG. 2 is a front elevational view thereof;  
 FIG. 3 is a top plan view thereof;  
 FIG. 4 is a left side elevational view thereof;  
 FIG. 5 is a bottom plan view thereof;  
 FIG. 6 is a right side elevational view thereof;  
 FIG. 7 is a rear elevational view thereof; and  
 FIG. 8 is a cross-sectional view taken along line 8—8 of FIG. 3.

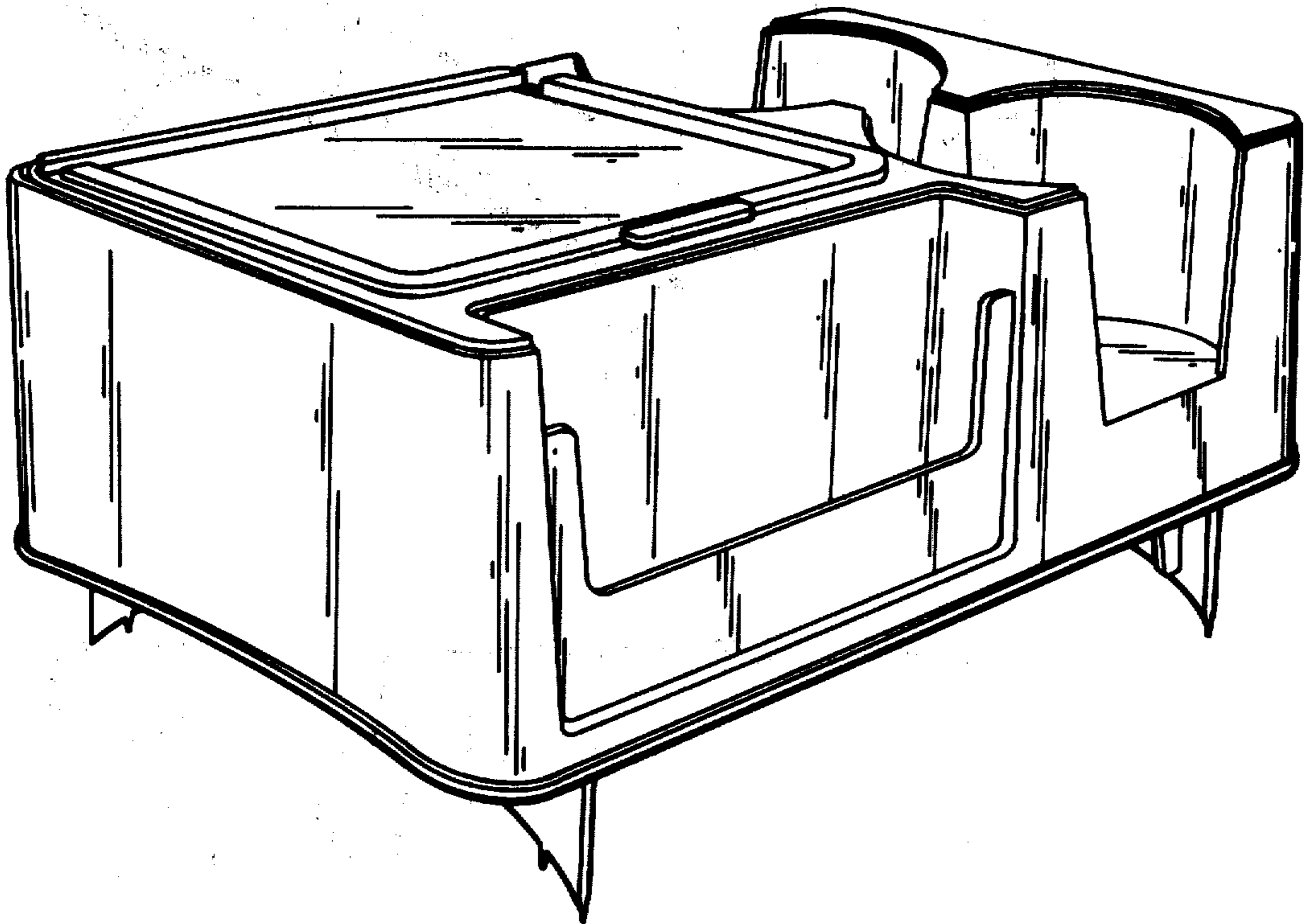


FIG. 1

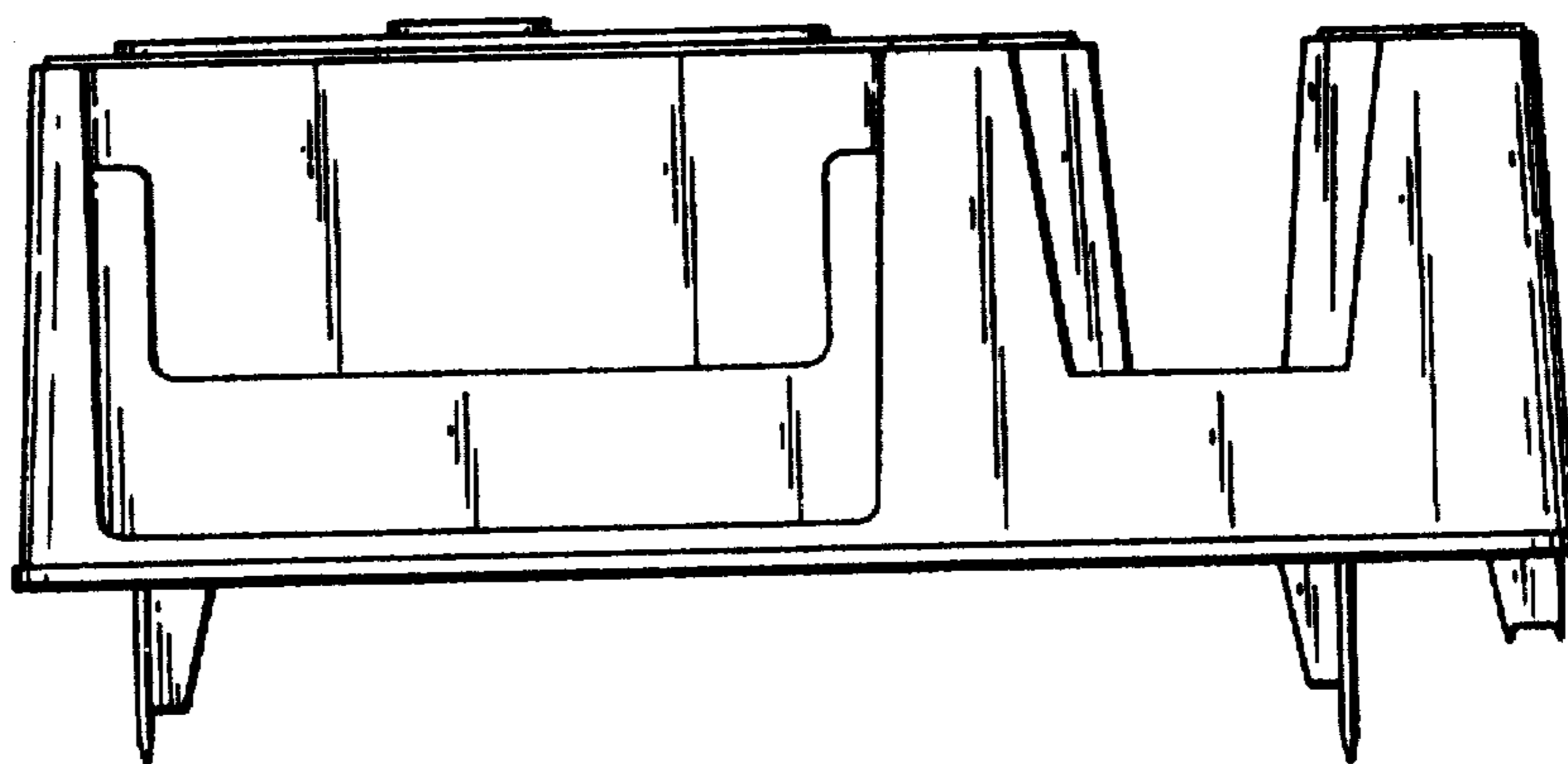
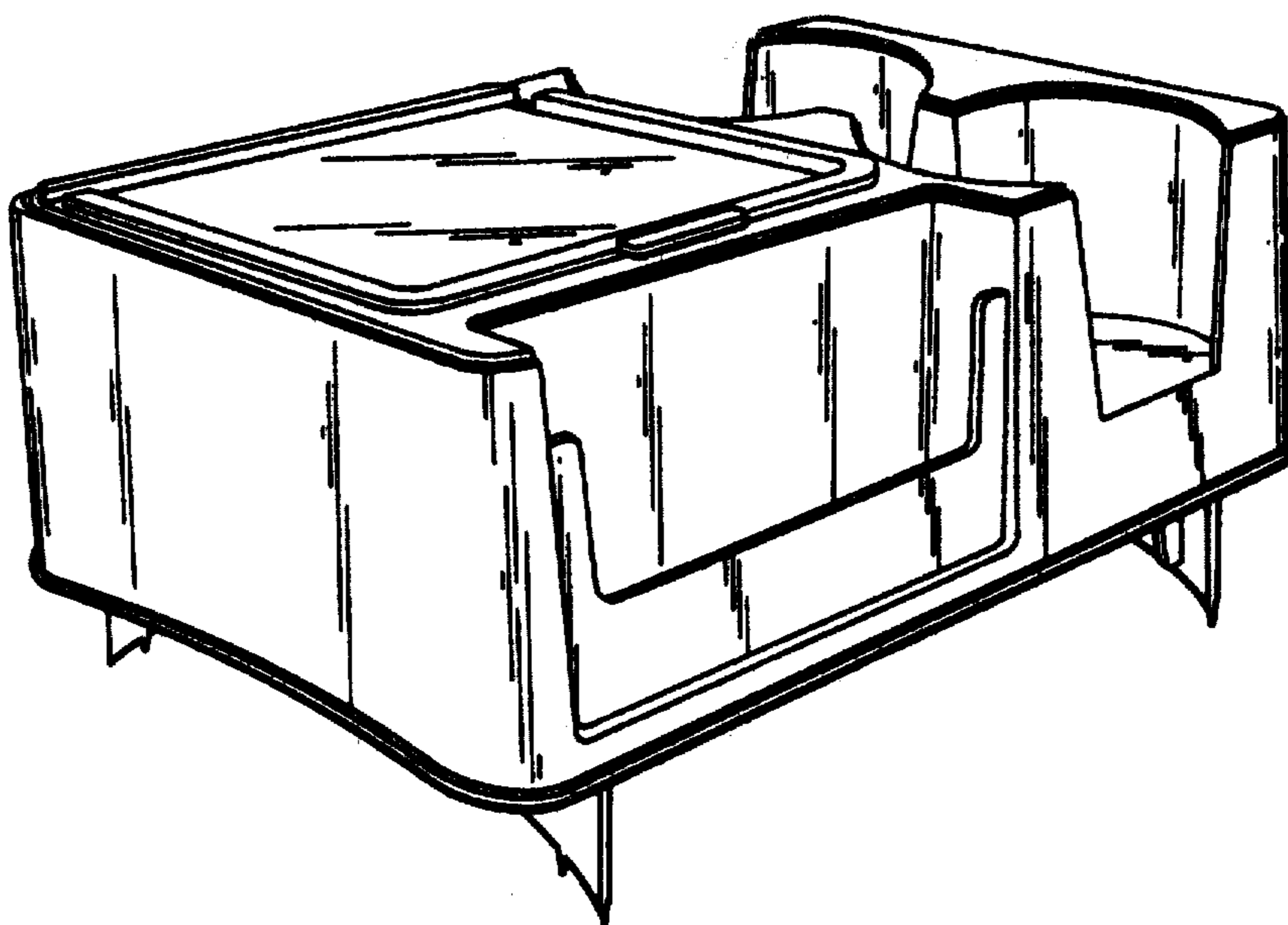
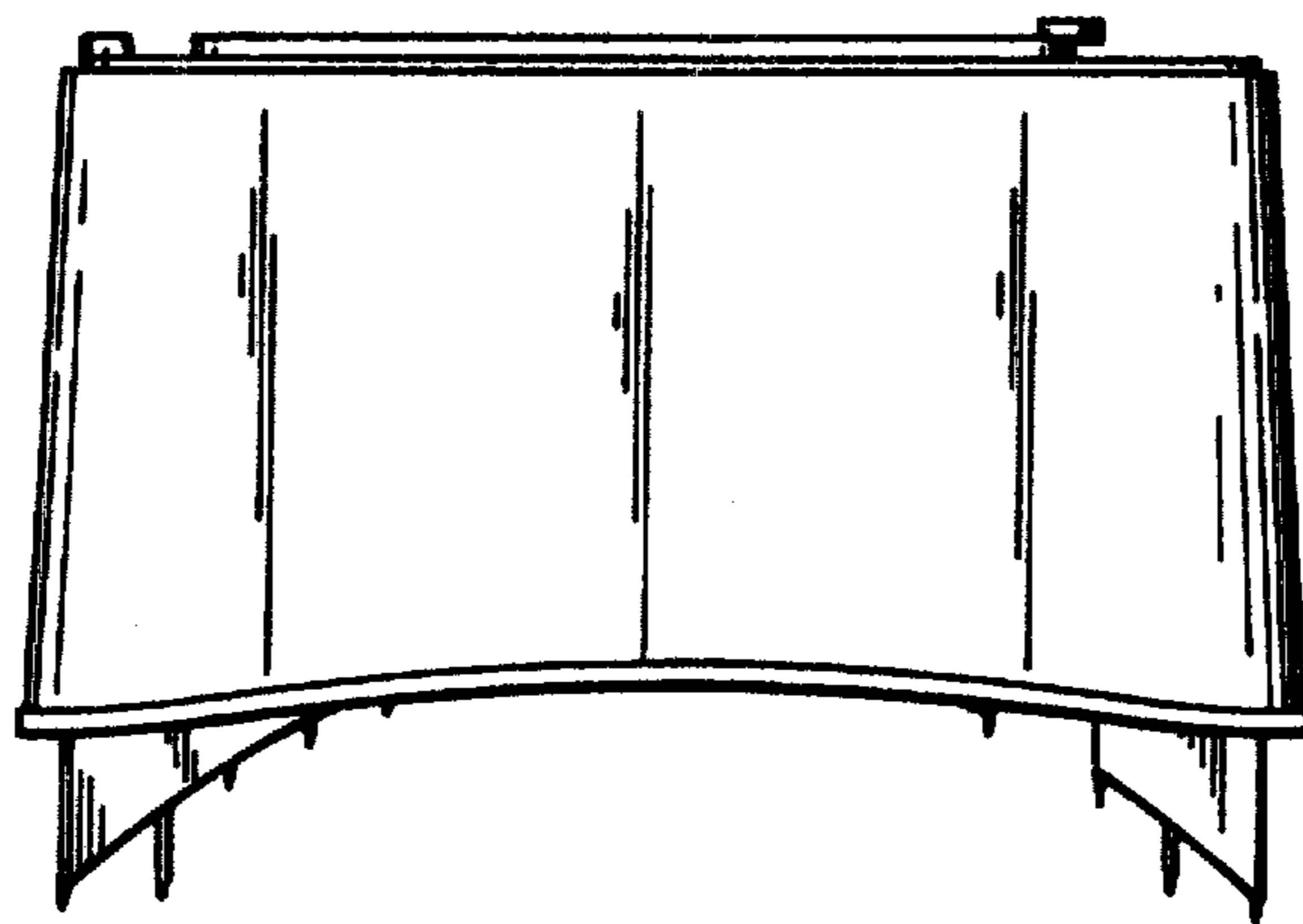
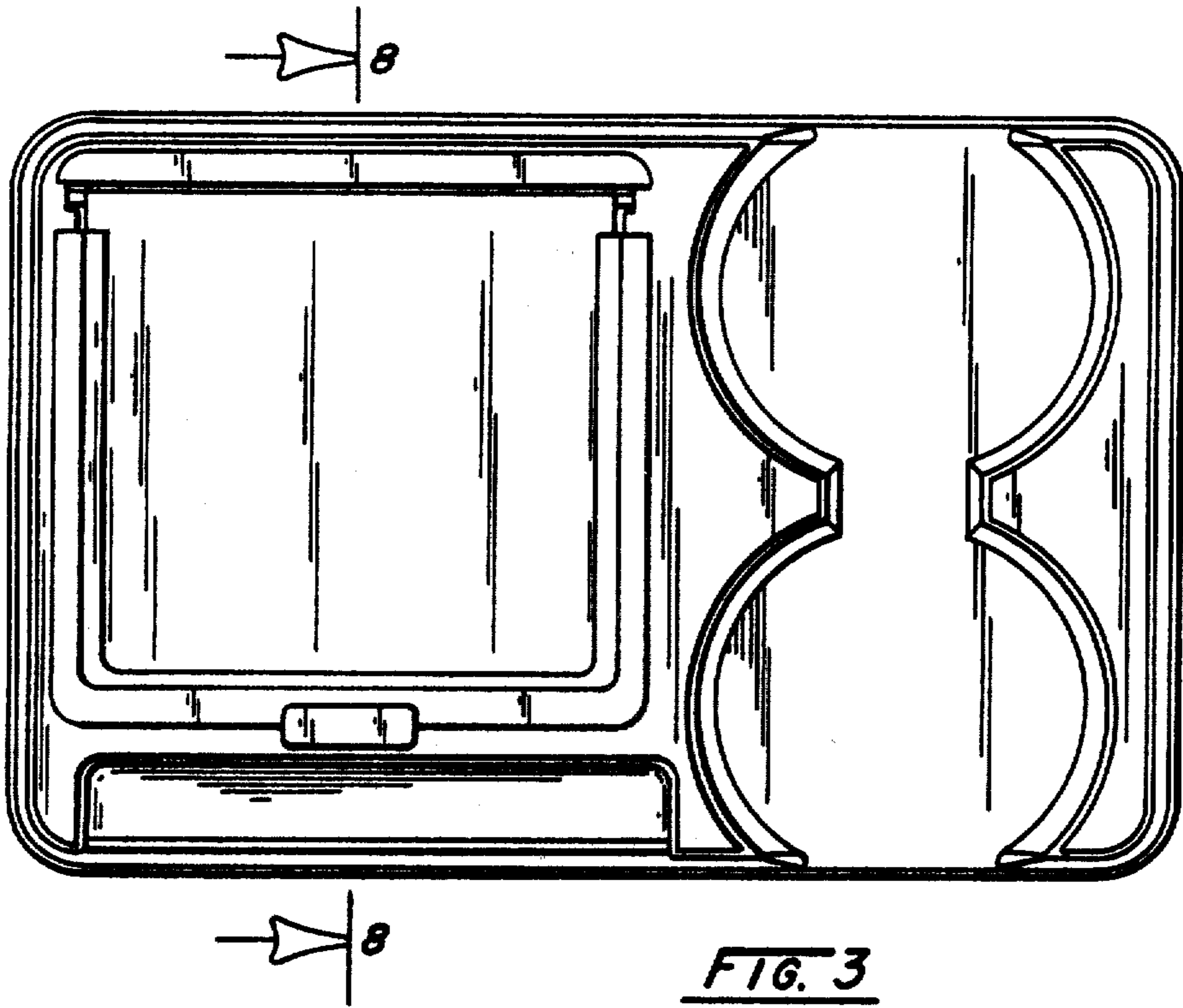


FIG. 2



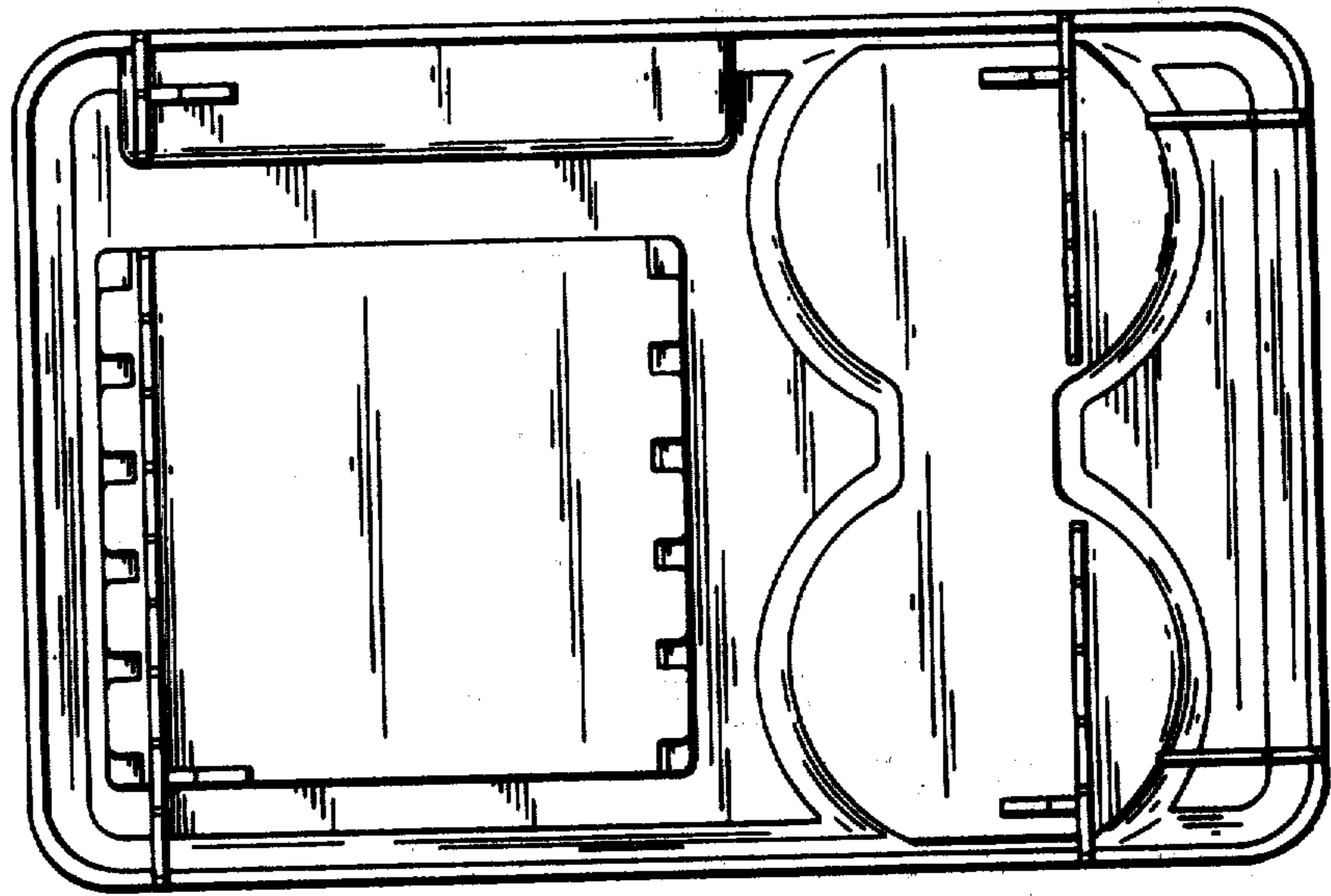


FIG. 5

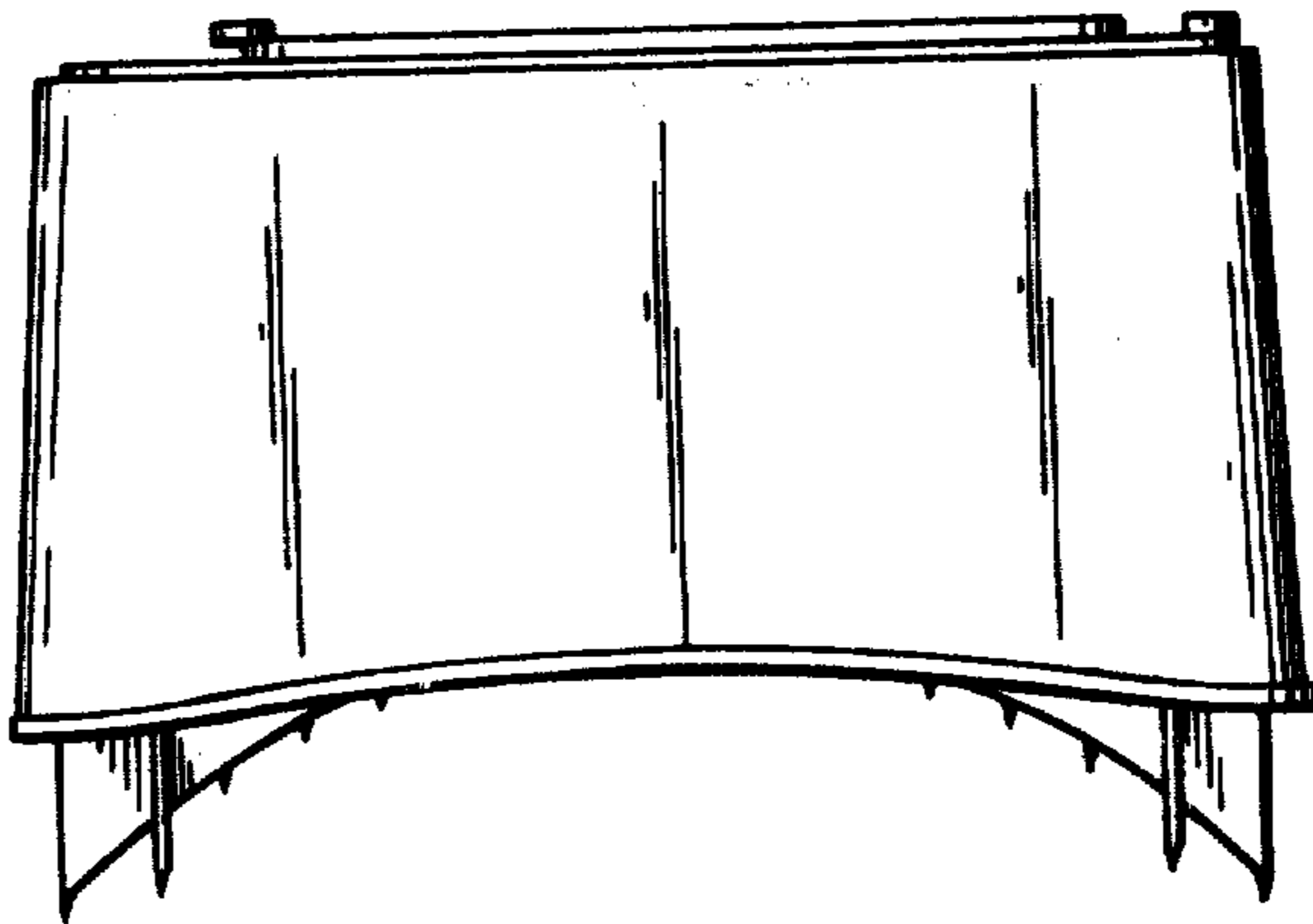


FIG. 6

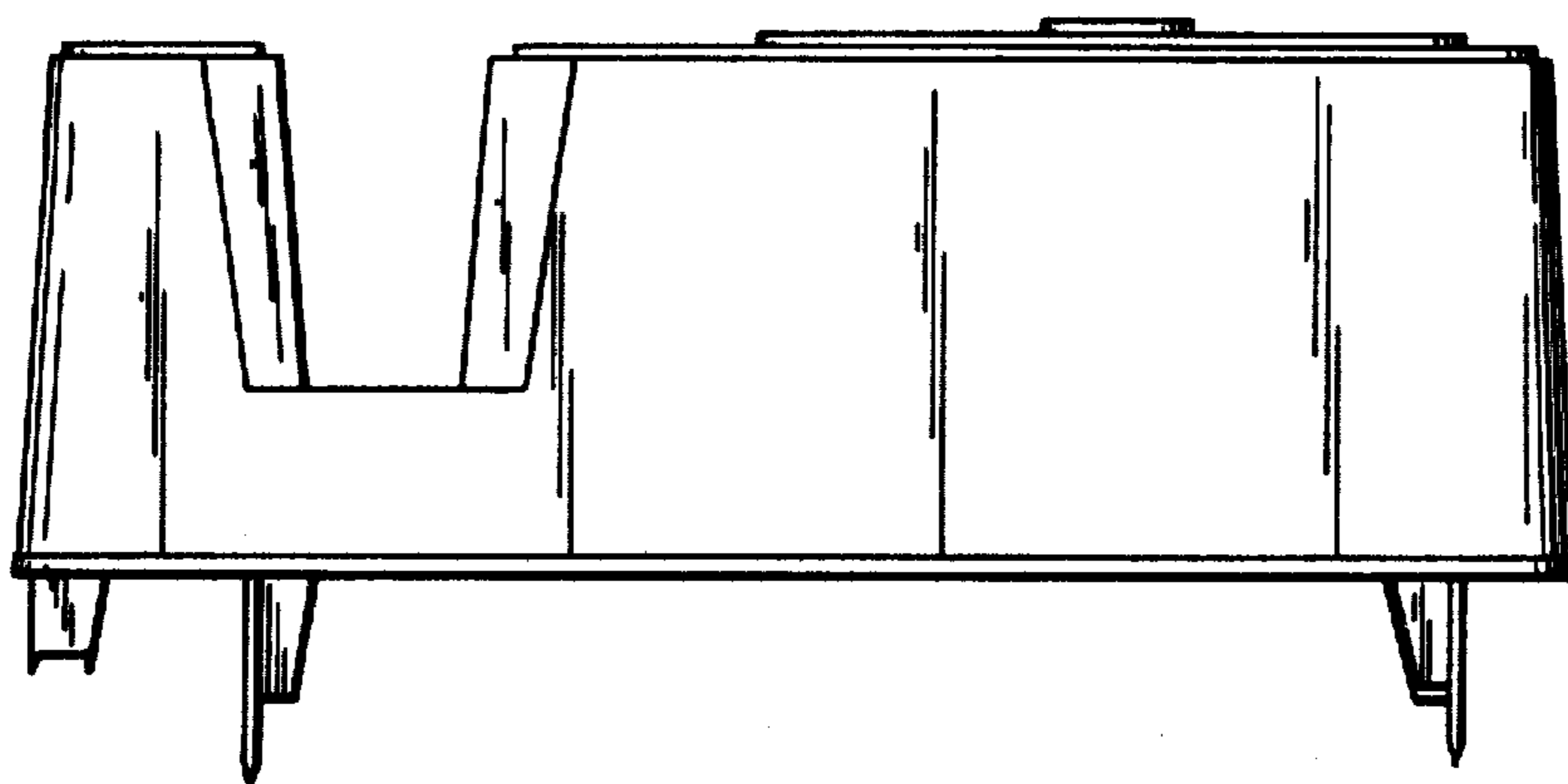


FIG. 7

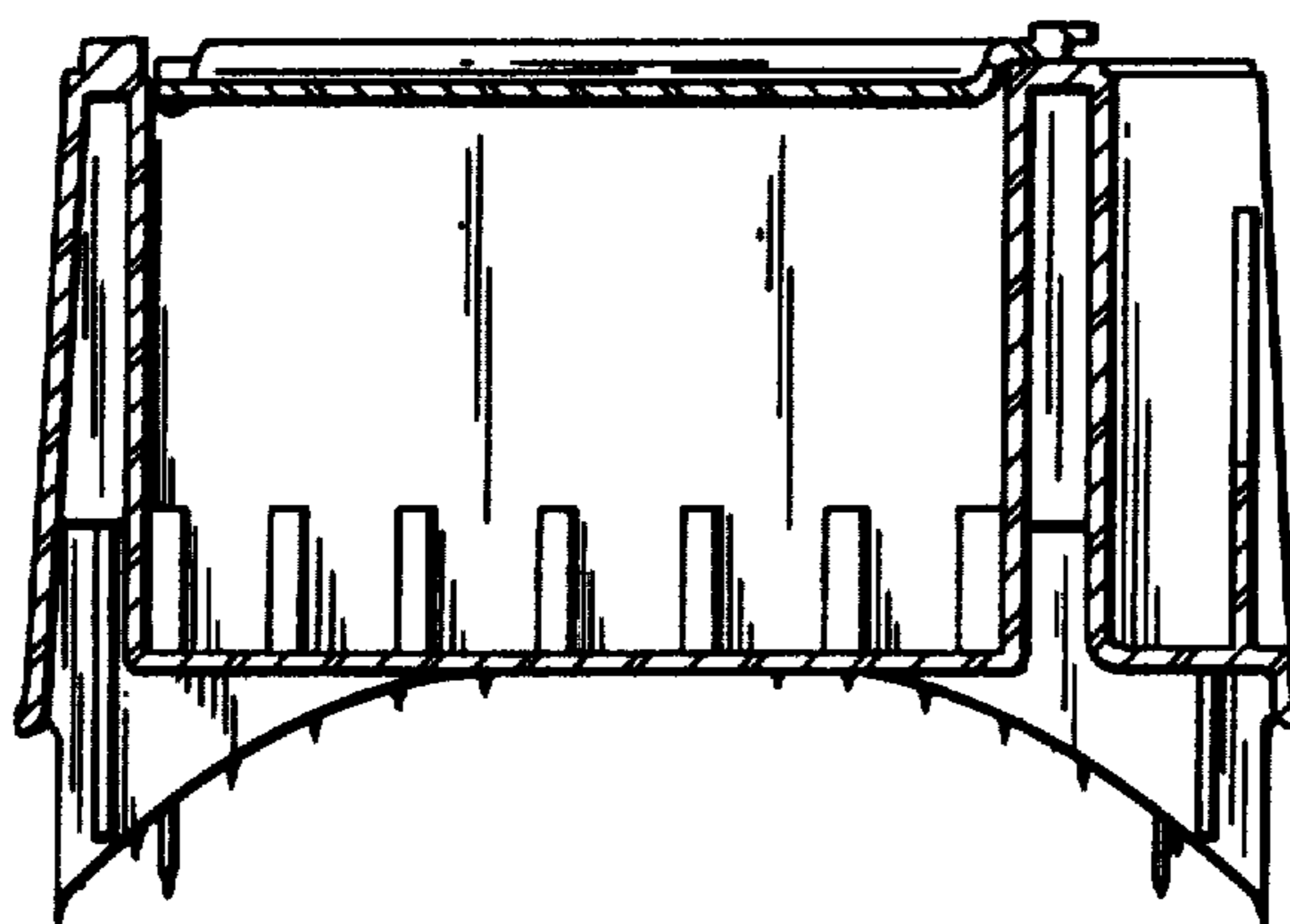


FIG. 8