

[54] ALPINE SKI BOOT

[75] Inventors: George Salomon; Roger Pitiot, both of Annecy, France

[73] Assignee: Ets. Francois Salomon et Fils, Annecy, France

[\*\*] Term: 14 Years

[21] Appl. No.: 313,919

[22] Filed: Oct. 22, 1981

[30] Foreign Application Priority Data

Apr. 27, 1981 [FR] France ..... 81 698

[51] Int. Cl. .... D2-04

[52] U.S. Cl. .... D2/276

[58] Field of Search ..... D2/276; 36/117, 118, 36/119, 120, 121

[56] References Cited

U.S. PATENT DOCUMENTS

- D. 253,499 11/1979 Salomon ..... D2/276
- D. 256,517 8/1980 Salomon ..... D2/276

3,868,783	3/1975	Caporicci .....	36/120
4,060,256	11/1977	Collombin .....	36/121 X
4,104,811	8/1978	Salomon .....	36/121
4,222,184	9/1980	Kastinger .....	36/118 X
4,258,482	3/1981	Salomon .....	36/121
4,280,286	7/1981	Sartor .....	36/118

OTHER PUBLICATIONS

*Ski Flash*-11/80, pp. 93 & 71, Ski Boot.

*Primary Examiner*-Nelson C. Holtje

*Attorney, Agent, or Firm*-Pollock, Vande Sande & Priddy

[57] CLAIM

The ornamental design for alpine ski boot, as shown and described.

DESCRIPTION

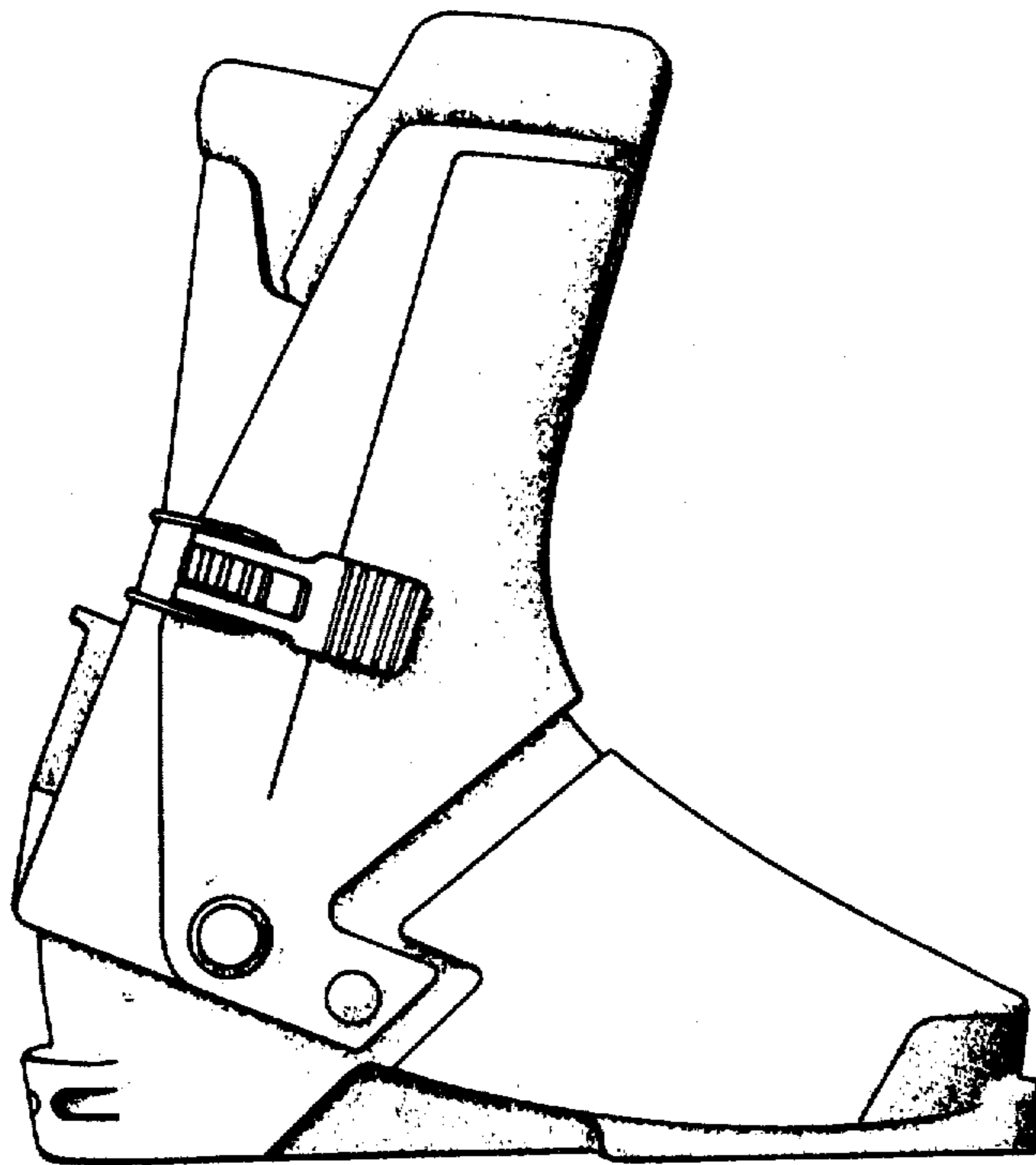
FIG. 1 is a front elevational view of an alpine ski boot showing our new design;

FIG. 2 is a left side elevational view thereof;

FIG. 3 is a right side elevational view thereof;

FIG. 4 is a top plan view thereof; and

FIG. 5 is a rear elevational view thereof.



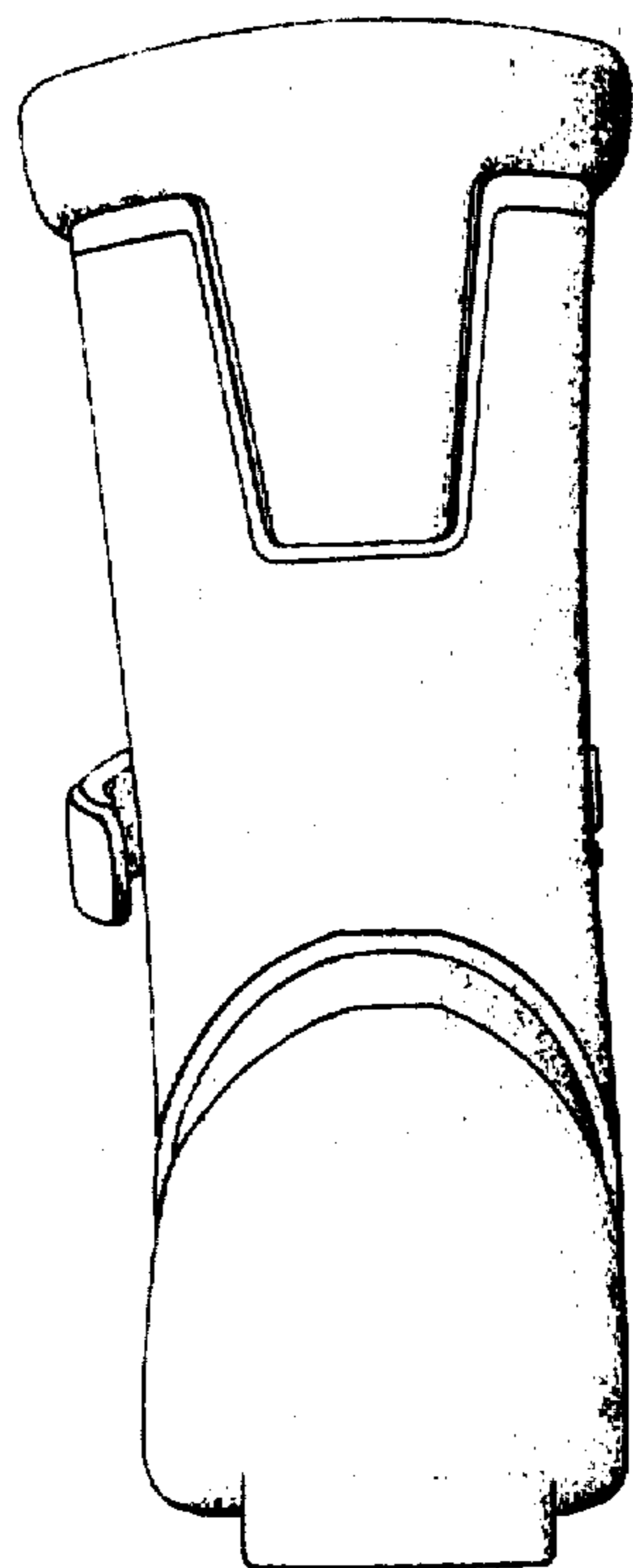


FIG. 1

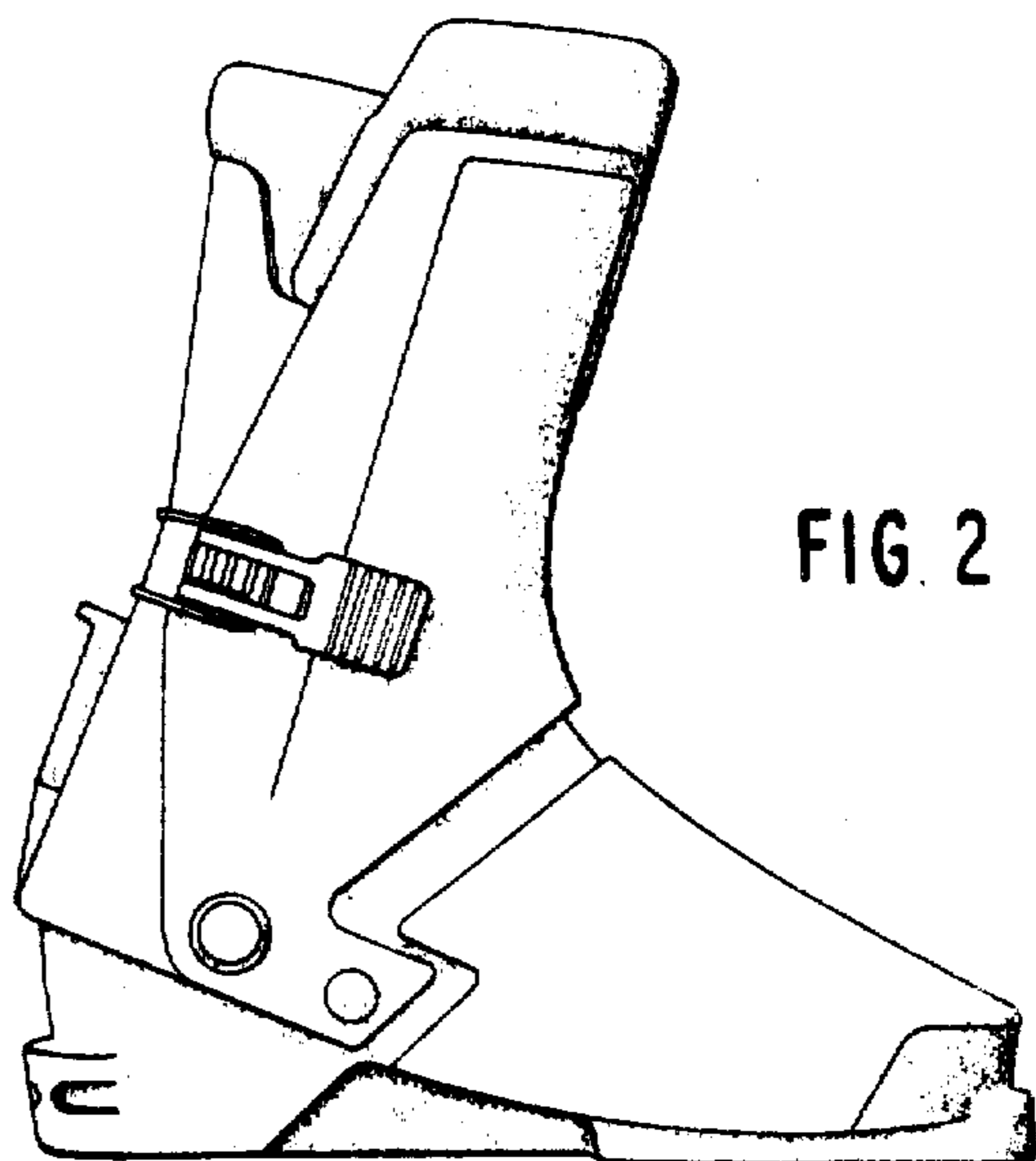


FIG. 2

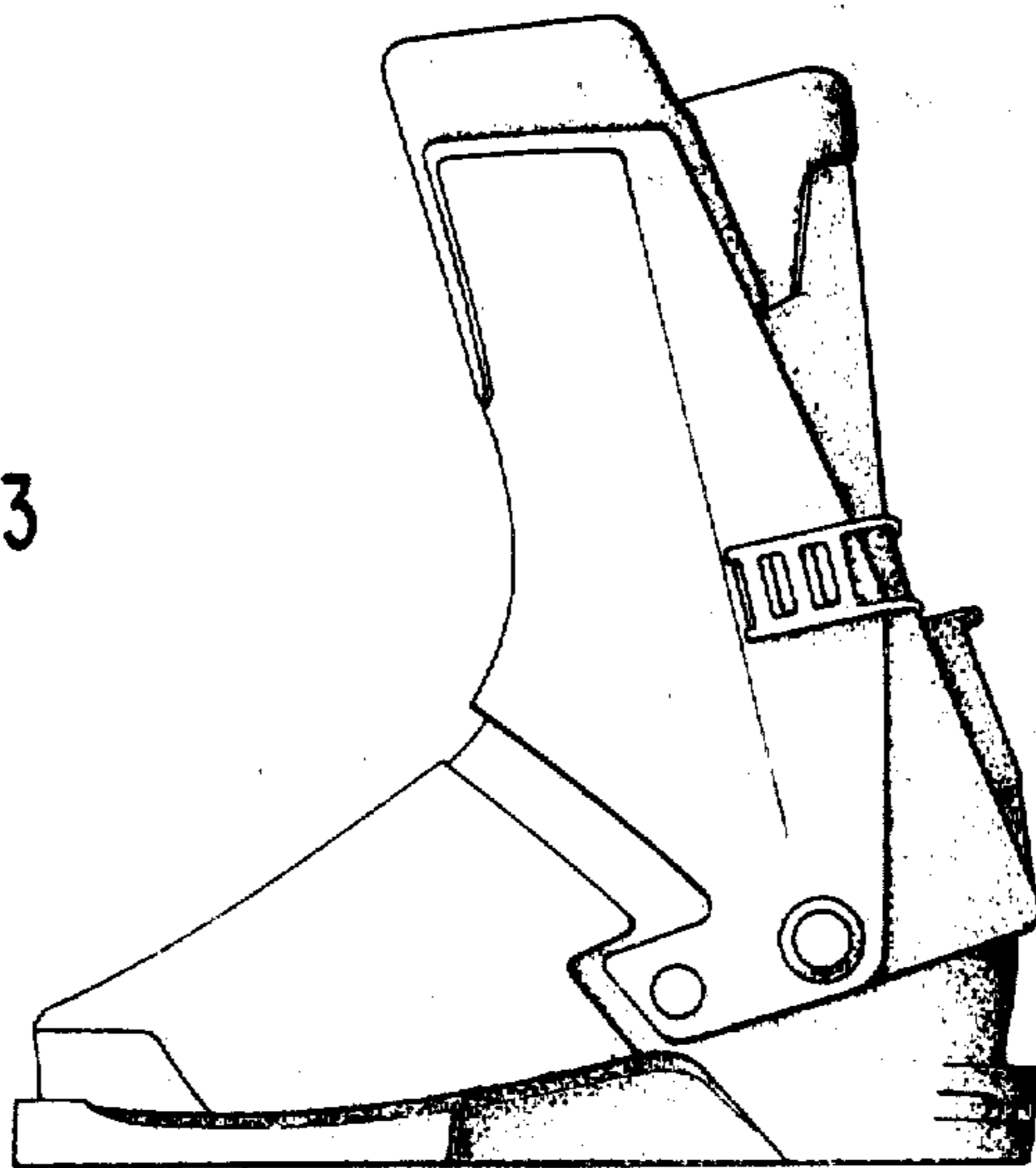


FIG. 3

FIG. 4

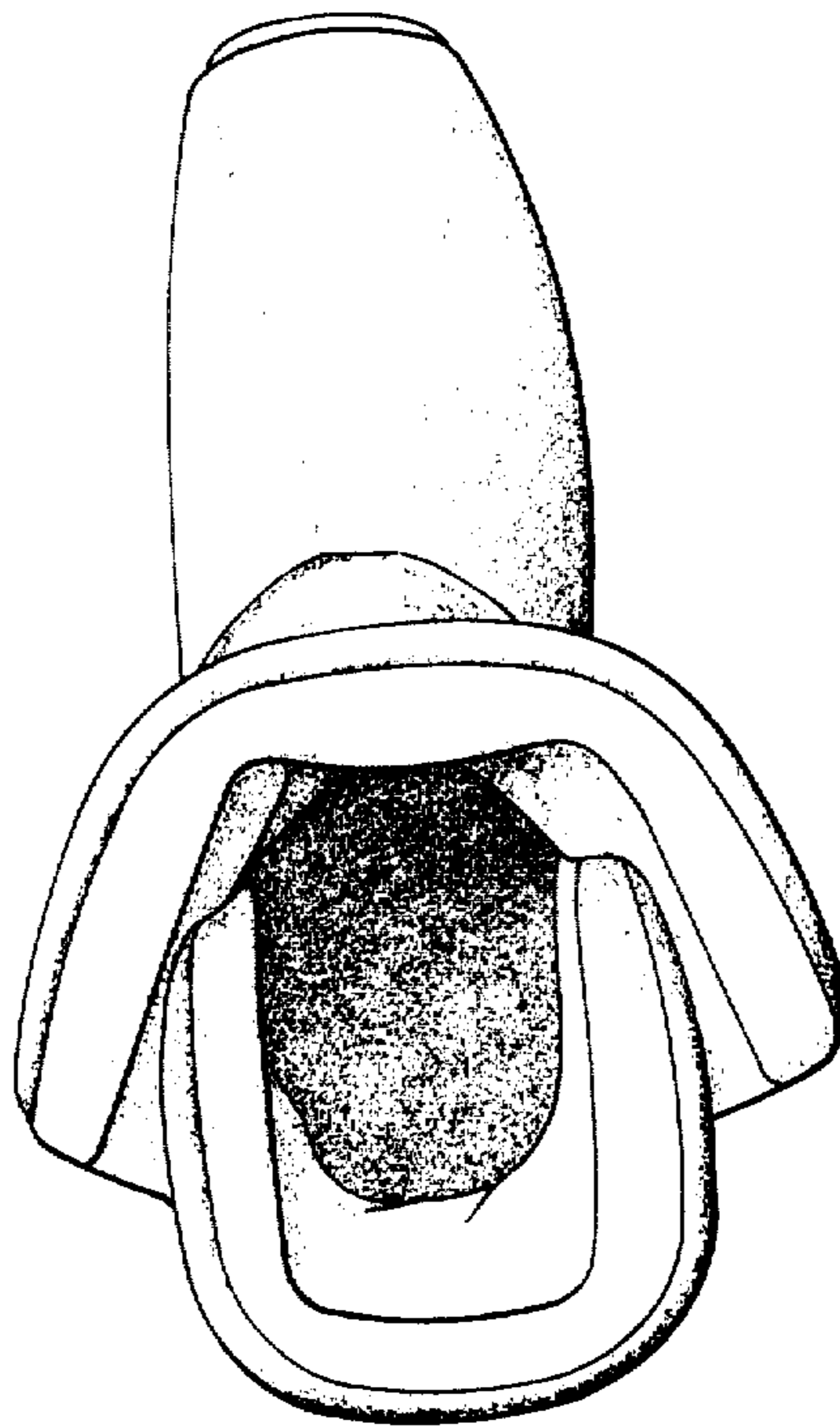


FIG. 5

