

[54] **TWO COLOR CHEWING GUM**

[75] Inventor: **Robert W. Schumacher**, Valley Stream, N.Y.

[73] Assignee: **Warner-Lambert Co.**, Morris Plains, N.J.

[**] Term: **14 Years**

[21] Appl. No.: **215,985**

[22] Filed: **Dec. 12, 1980**

[51] Int. Cl. **D01-01**

[52] U.S. Cl. **D1/12**

[58] Field of Search **D1/1, 2, 12, 15, 21, D1/23, 24, 99; 426/5, 249, 104, 87, 383, 249, 89, 91, 92, 101, 103, 104, 3, 4, 5, 6, 660; D21/108; D9/432, 433, 423; D28/2, 3**

[56] **References Cited**

U.S. PATENT DOCUMENTS

D. 76,992 11/1928 Fawcett **D9/432**

D. 87,781 9/1932 Hauck **D9/432**

692,323	2/1902	Marine	426/249
1,072,338	9/1913	Lehman	426/104
1,429,405	9/1922	Carter et al.	426/249
2,874,649	2/1959	Pelletier	426/249
2,973,273	2/1961	Curtiss	426/5

Primary Examiner—Joel Stearman
Assistant Examiner—Carmen H. Vales
Attorney, Agent, or Firm—Daniel A. Scola, Jr.; Gary M. Nath

[57] **CLAIM**

The ornamental design for a two color chewing gum, substantially as shown and described.

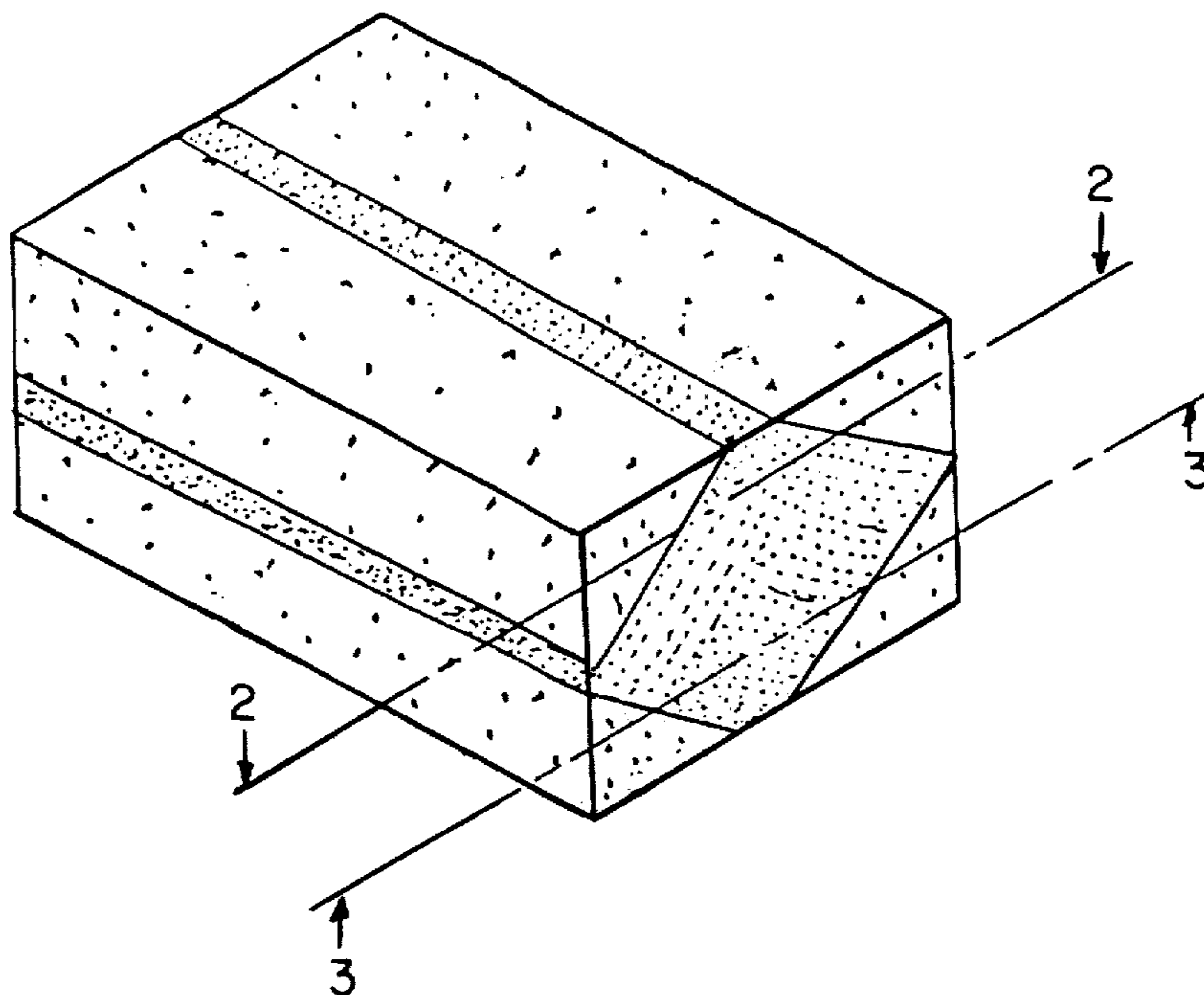
DESCRIPTION

FIG. 1 is a front perspective view of a two color chewing gum showing my new design, the rear perspective view being identical;

FIG. 2 is a sectional view taken along line 2—2 of FIG. 1; and

FIG. 3 is a sectional view taken along line 3—3 of FIG. 1.

The bottom view of my new design is identical to the top view shown in perspective in FIG. 1.



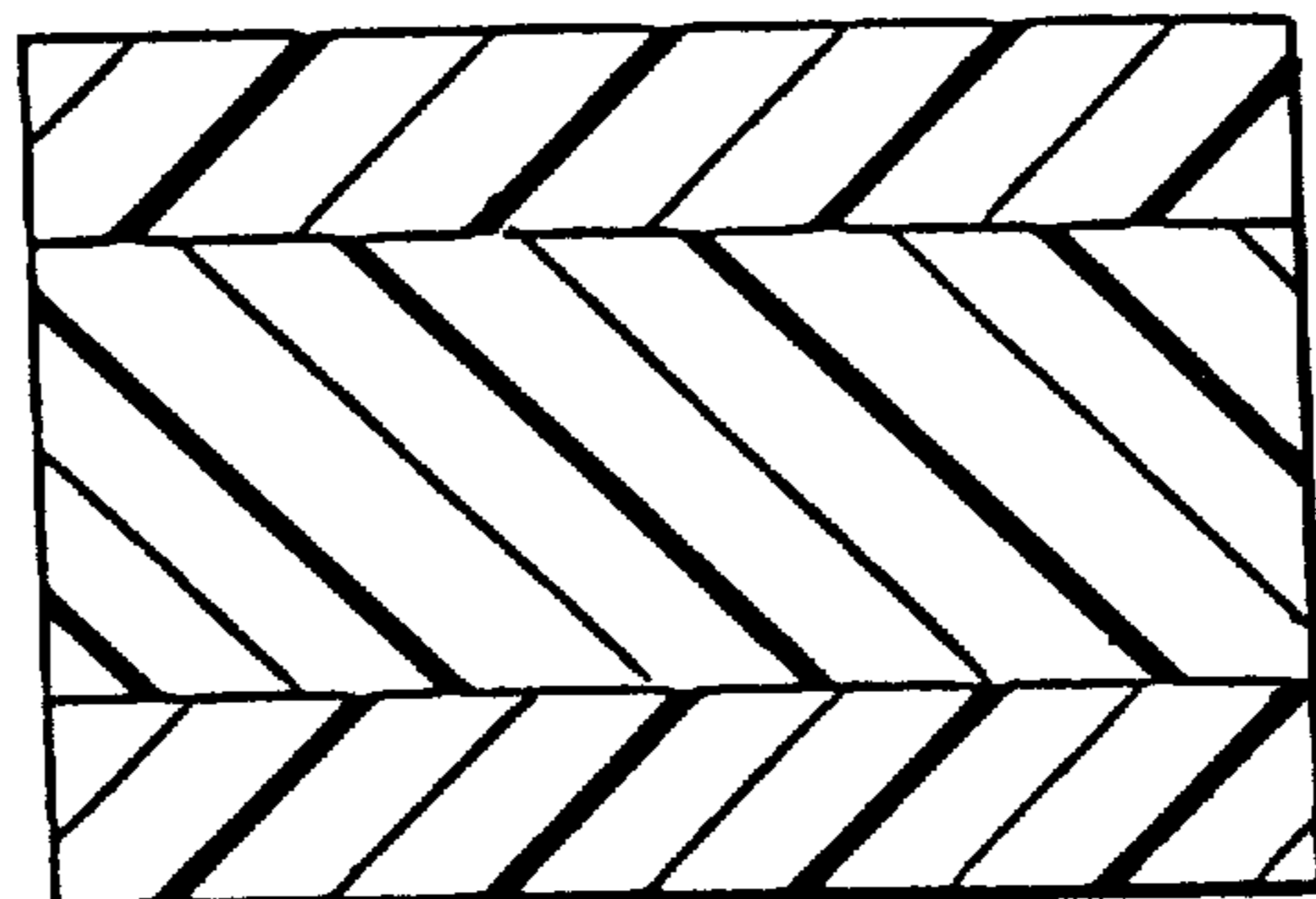
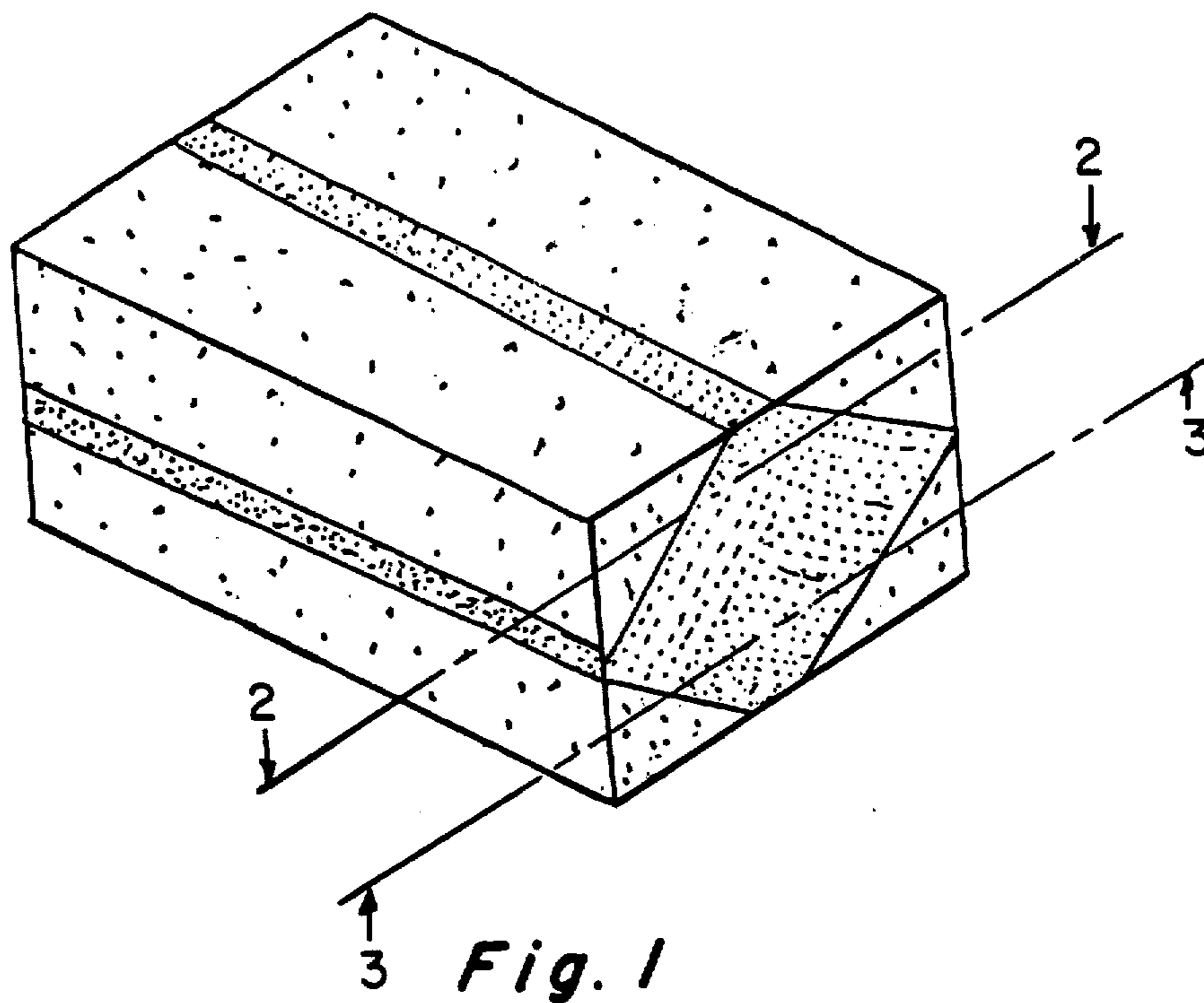


Fig. 2

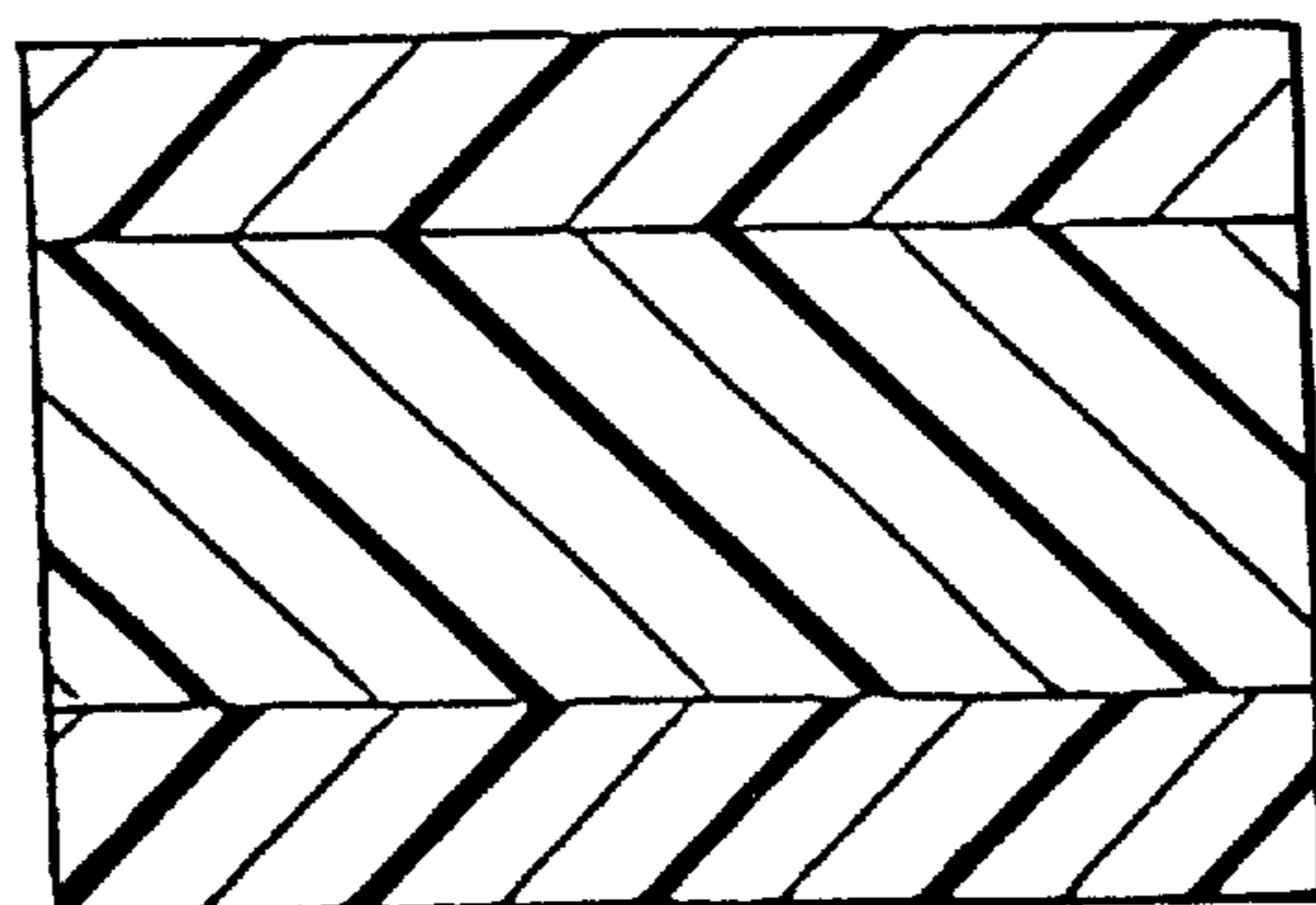


Fig. 3