

[54] SEWER CLEANING MACHINE

[75] Inventors: Larry F. Babb, LaGrange; Walter J. Noveske, Elyria; Arthur J. Pulos, Fayetteville, all of Ohio; Paul B. Sweeney, Syracuse, N.Y.

[73] Assignee: Emerson Electric Co., St. Louis, Mo.

[**] Term: 14 Years

[21] Appl. No.: 277,883

[22] Filed: Jun. 26, 1981

[51] Int. Cl. D15-05

[52] U.S. Cl. D32/14

[58] Field of Search D32/14; 15/104.3 SN, 15/49 R, 79 R, 104.3 R

[56] References Cited

U.S. PATENT DOCUMENTS

D. 198,833	8/1964	O'Neill	D32/14
3,958,293	5/1976	Irwin	15/104.3 SN
4,071,920	2/1978	Block	15/79 R
4,364,139	12/1982	Babb et al.	15/104.3 SN

FOREIGN PATENT DOCUMENTS

2416310 6/1975 Fed. Rep. of Germany 15/104.3 SN

Primary Examiner—Wallace R. Burke

Assistant Examiner—Lynn Wilder

Attorney, Agent, or Firm—Polster, Polster and Lucchesi

[57] CLAIM

The ornamental design for sewer cleaning machine, as shown and described.

DESCRIPTION

FIG. 1 is a view in perspective of a sewer cleaning machine embodying our design.

FIG. 2 is a top plan view thereof.

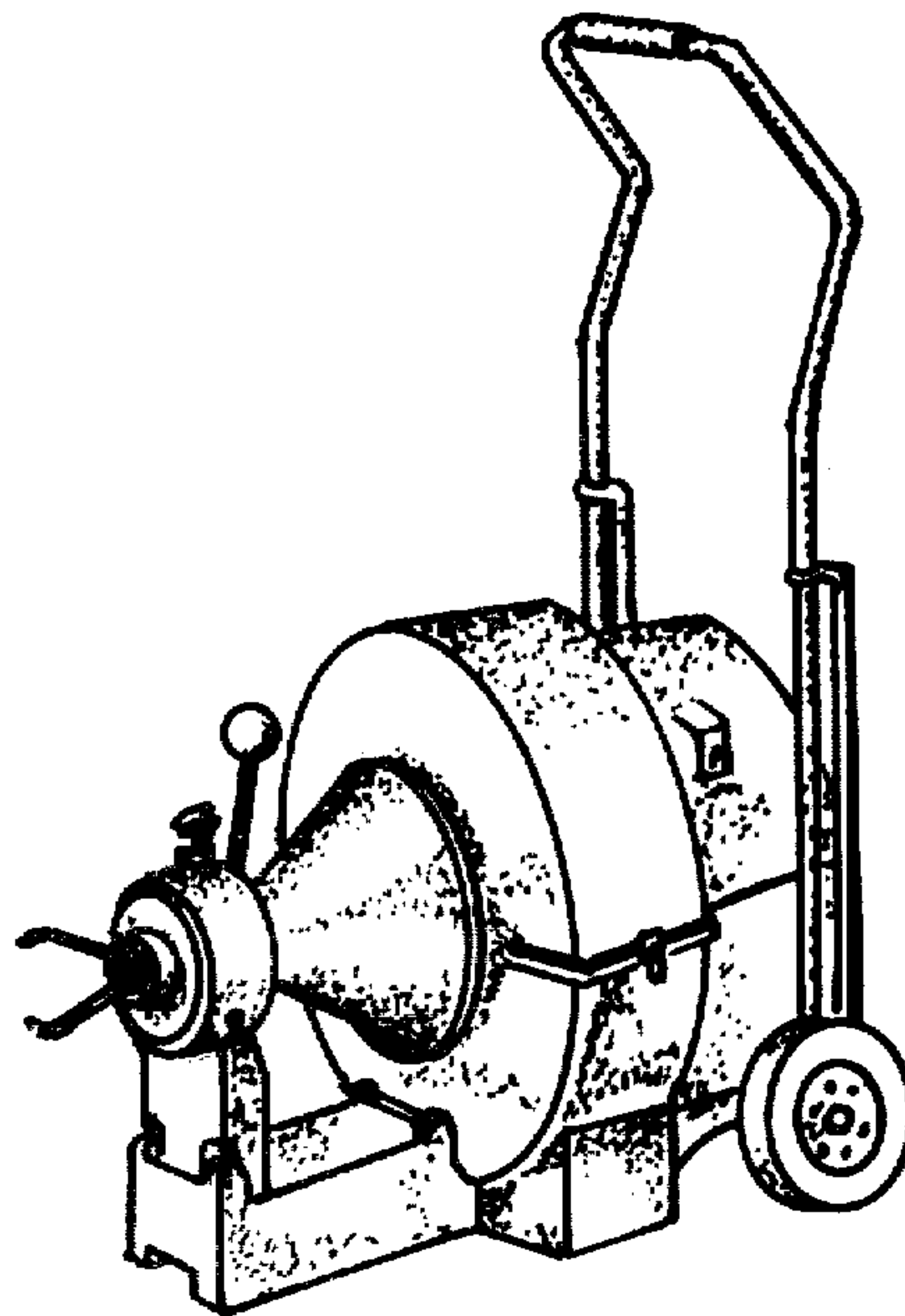
FIG. 3 is a bottom plan view thereof.

FIG. 4 is a view in right side elevation, the view in left side elevation being a mirror image thereof except for the switch protrusion.

FIG. 5 is a view in front elevation thereof.

FIG. 6 is a view in rear elevation thereof.

FIGS. 2-6 are shown at an enlarged scale for clarity of disclosure.



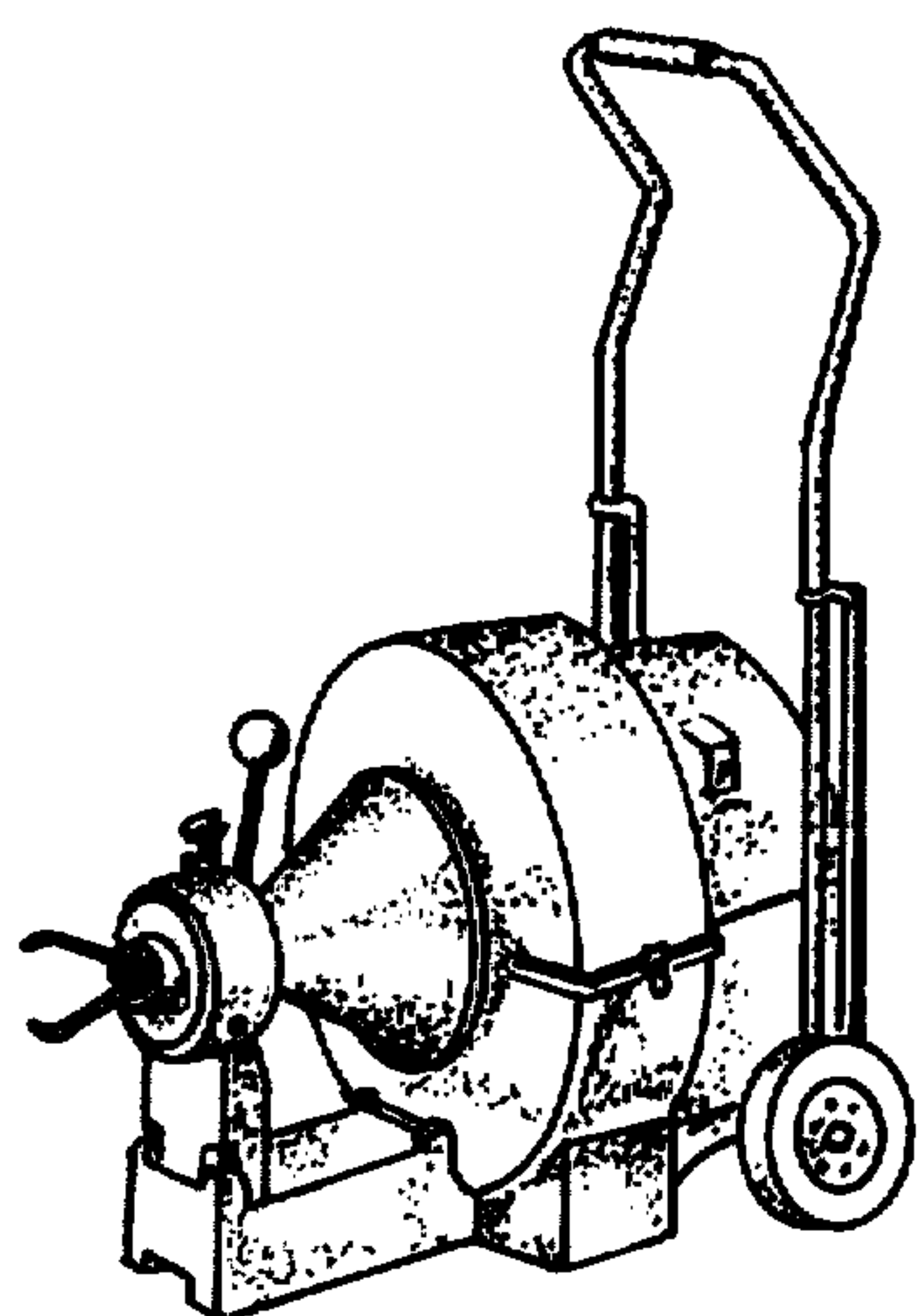


FIG. 1.

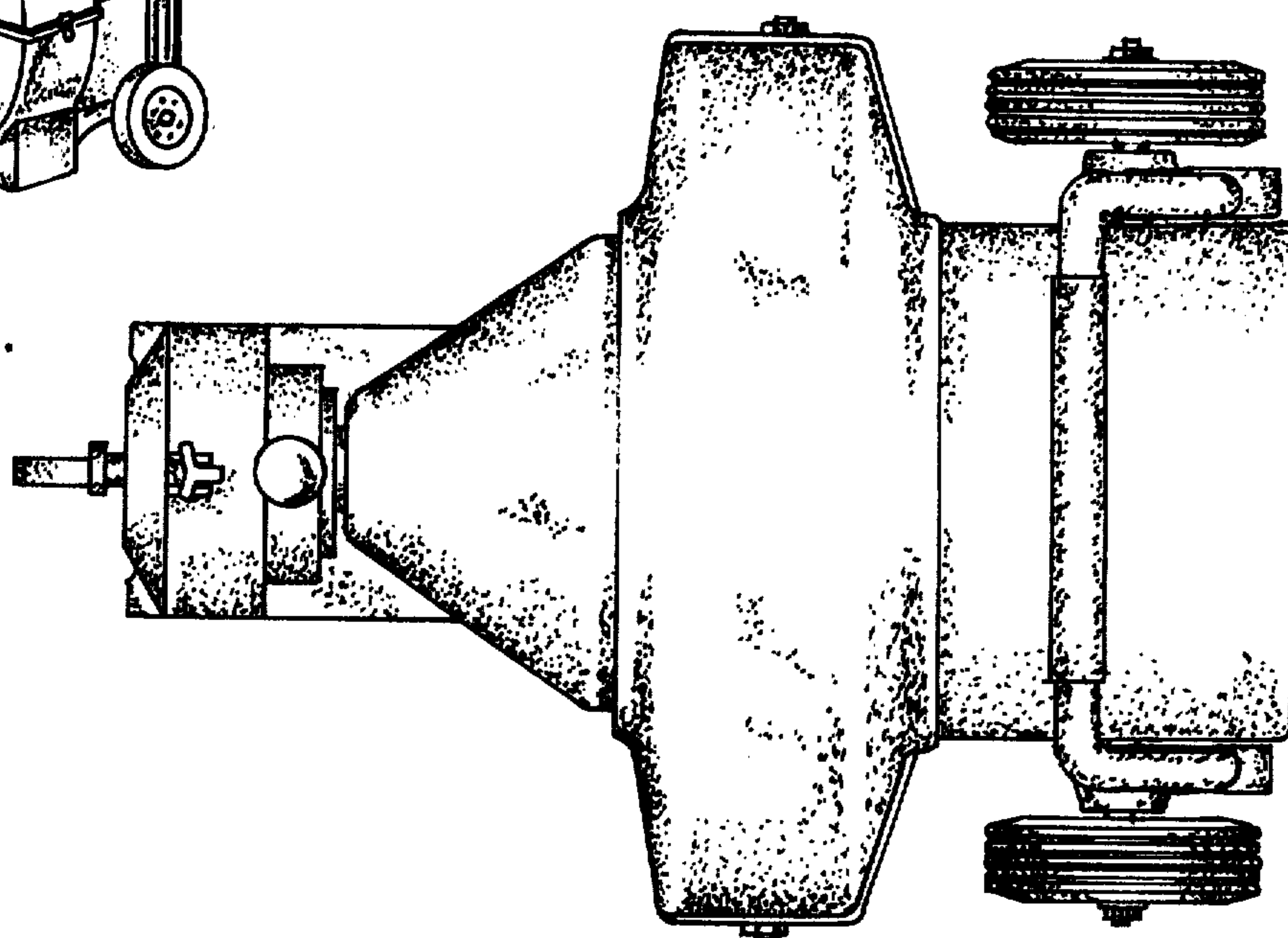


FIG. 2.

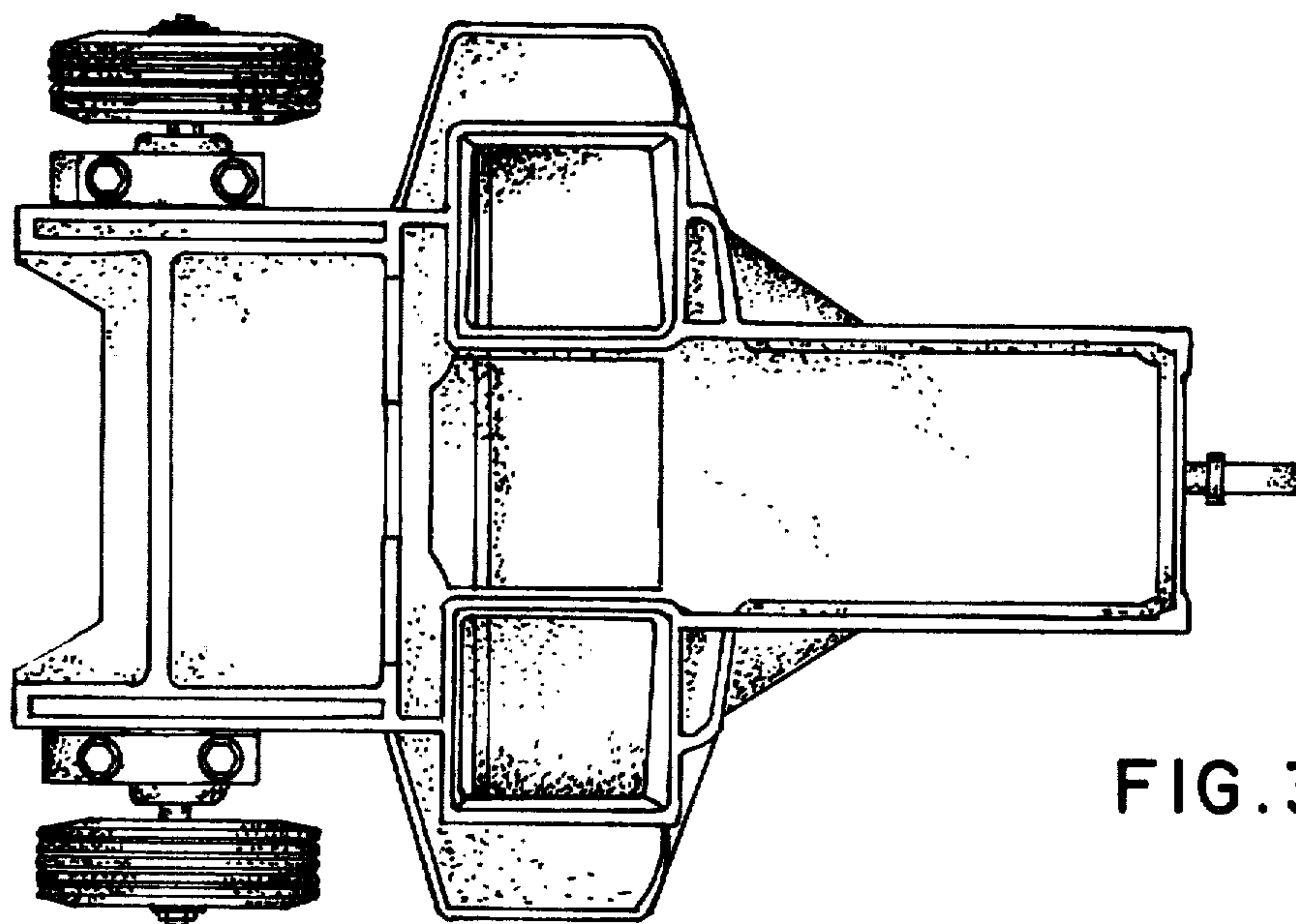
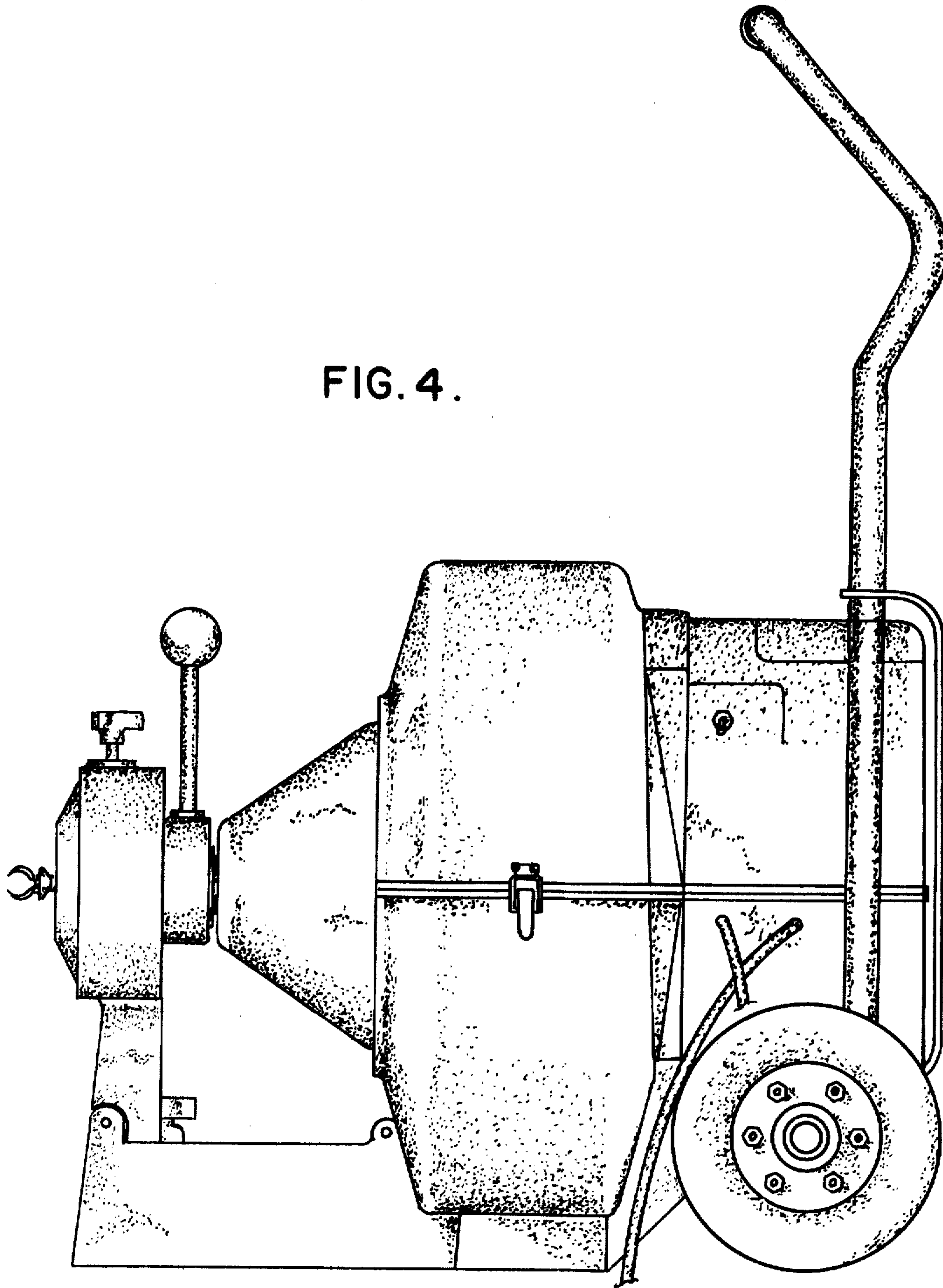


FIG. 3.

FIG. 4.



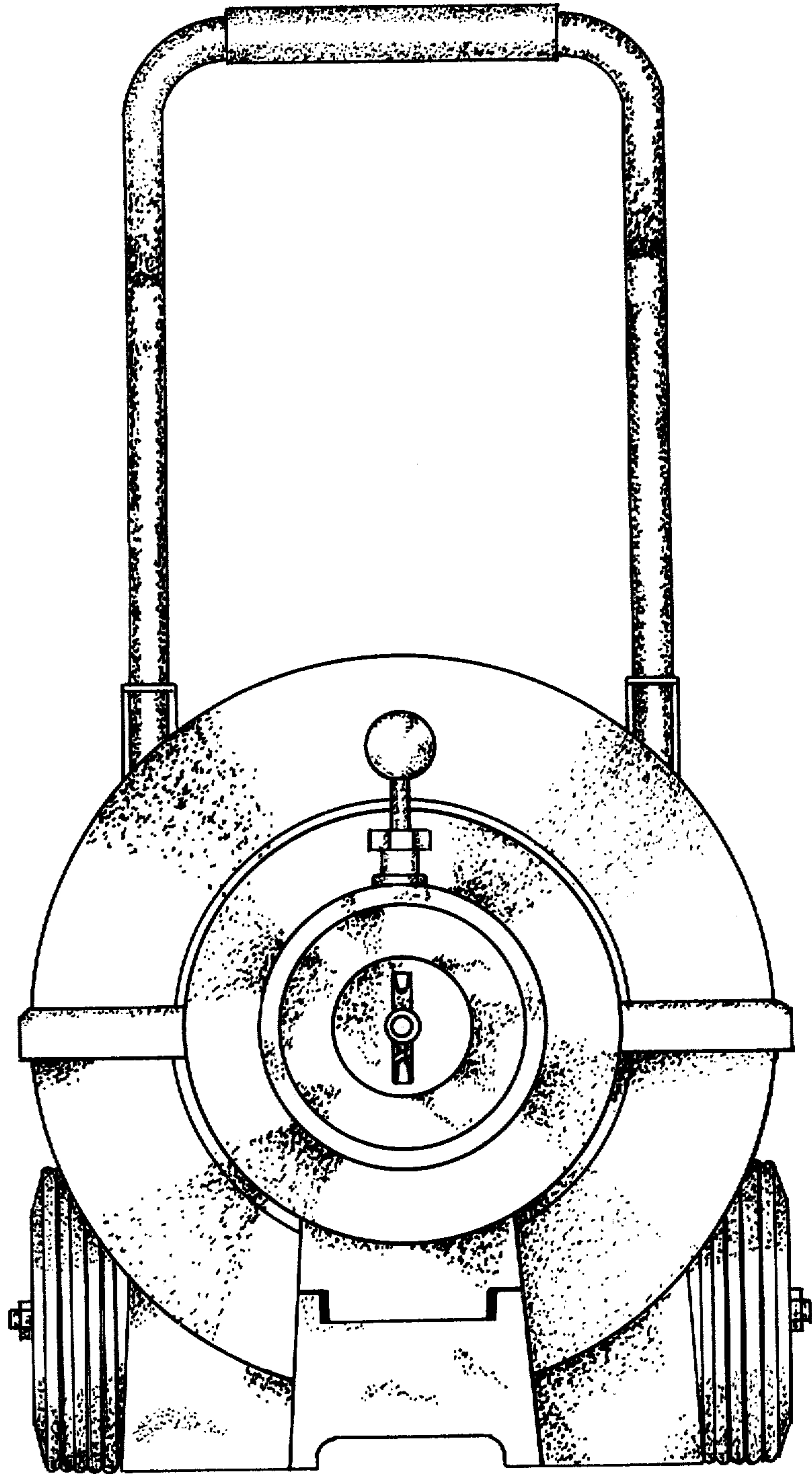


FIG. 5.

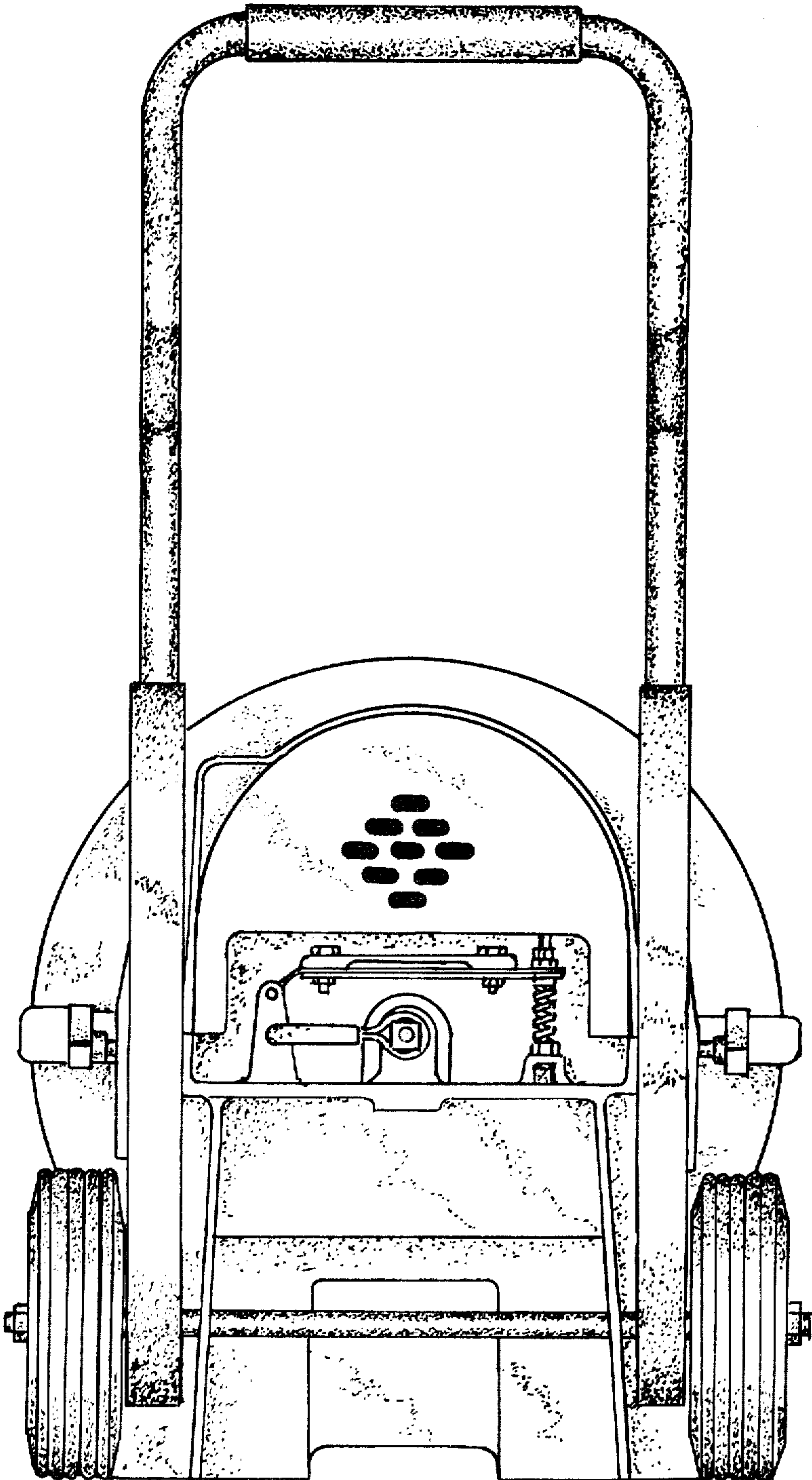


FIG. 6.