

[54] TOILET ADAPTER FOR PET ANIMALS

[76] Inventor: Jan G. L. S. Kullenbäck, P.O. Box 6011, 400 60 Göteborg 6, Sweden

[\*\*] Term: 14 Years

[21] Appl. No.: 224,935

[22] Filed: Jan. 14, 1981

[51] Int. Cl. .... D30-99

[52] U.S. Cl. .... D30/99; 119/1

[58] Field of Search .... D30/40-99; 119/1; 4/661

[56] References Cited

U.S. PATENT DOCUMENTS

D. 231,936	6/1974	Kullenback	.....	D30/99
D. 249,369	9/1978	Kullenback	.....	D30/99
D. 256,735	9/1980	Denk	.....	D30/99
2,053,594	9/1936	Albert	.....	119/1

2,144,329	1/1939	Conlon et al.	.....	119/1
2,584,656	2/1952	Anderson	.....	119/1
3,603,290	9/1971	O'Rork	.....	119/1
3,656,457	4/1972	Houston	.....	119/1
3,688,742	9/1972	McGee	.....	119/1
3,757,738	9/1973	Hall	.....	119/1
3,921,582	11/1975	Sedlmein	.....	119/1
4,231,321	11/1980	Cohen	.....	119/1

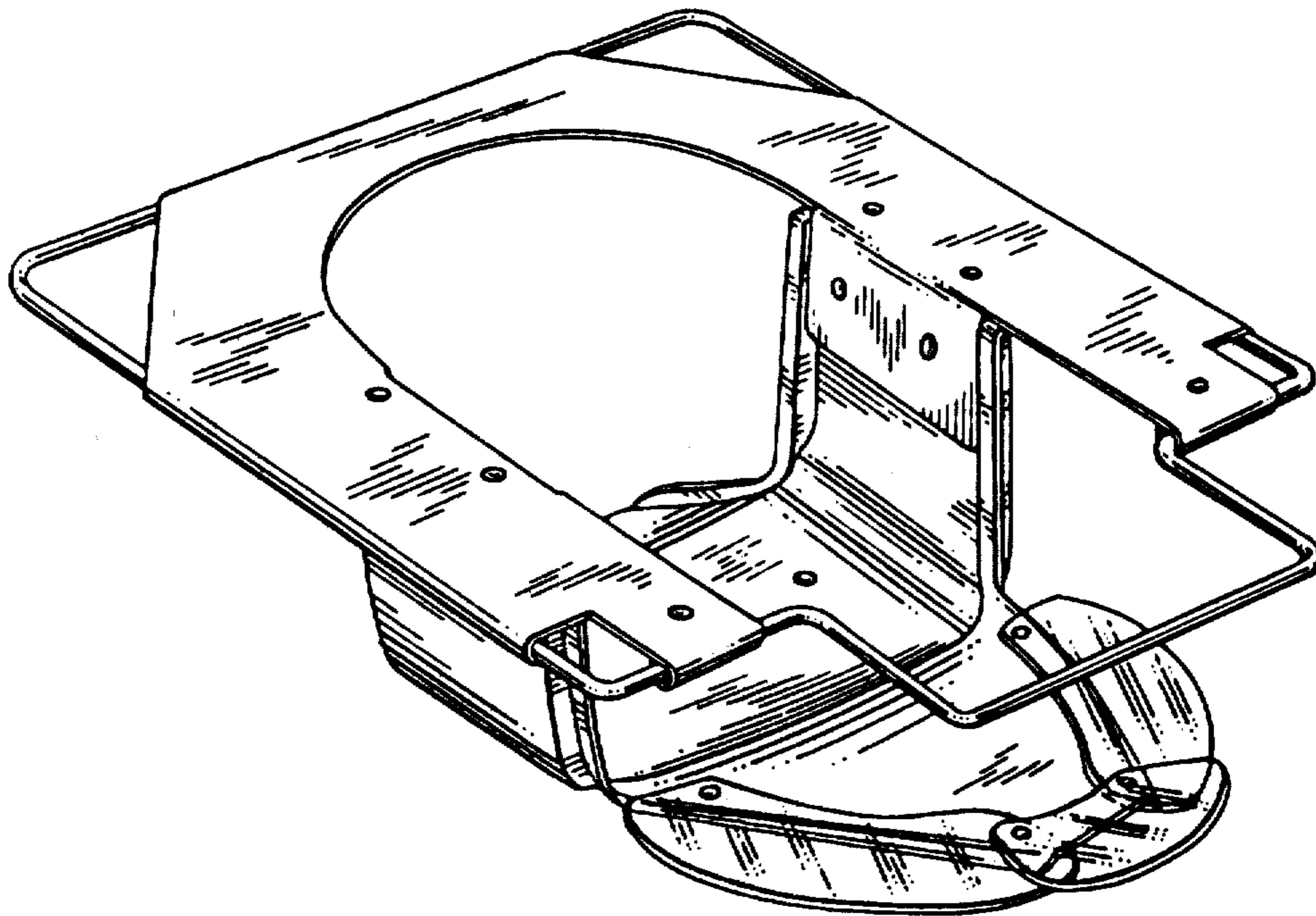
Primary Examiner—James R. Largen

[57] CLAIM

The ornamental design for a toilet adapter for pet animals, as shown and described.

DESCRIPTION

FIG. 1 is a perspective view taken from the top, front and left side of a toilet adapter for pet animals showing my new design; and FIG. 2 is a perspective view taken from the bottom, rear and right side thereof.



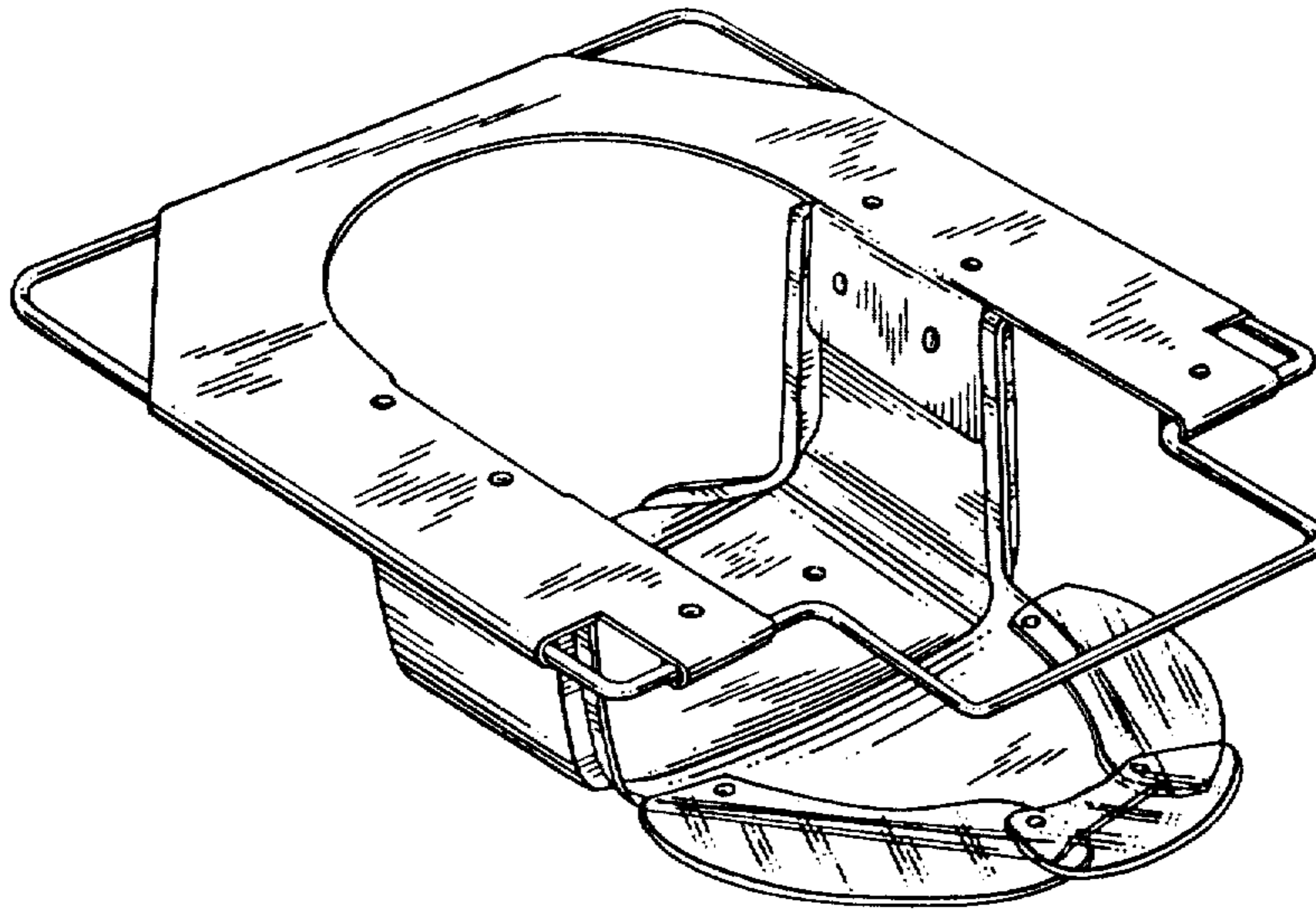


FIG. 1

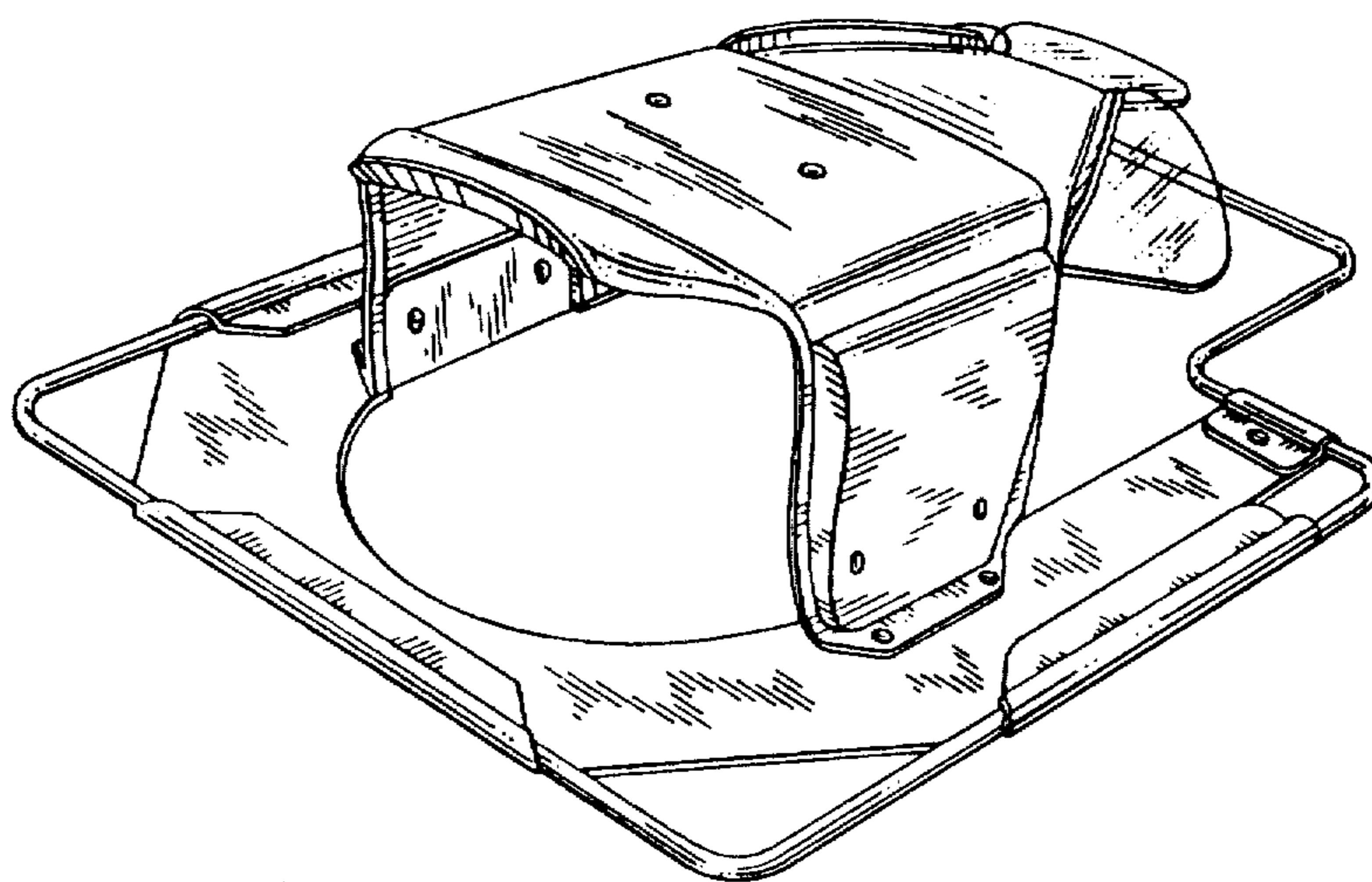


FIG. 2