

[54] FOLDABLE LIVESTOCK FEEDER
[76] Inventor: Jackie D. Holland, 4831 Peakview,
Erie, Colo. 80516
[**] Term: 14 Years
[21] Appl. No.: 223,251
[22] Filed: Jan. 8, 1981
[51] Int. Cl. D30-03
[52] U.S. Cl. D30/13
[58] Field of Search D30/13-17;
119/58, 60, 861

988,599 4/1911 Shaw 119/60
1,049,963 1/1913 Young 119/61
3,362,382 1/1968 Frasier 119/58

Primary Examiner—James R. Largen
Attorney, Agent, or Firm—Edwin L. Spangler, Jr.

[57] CLAIM

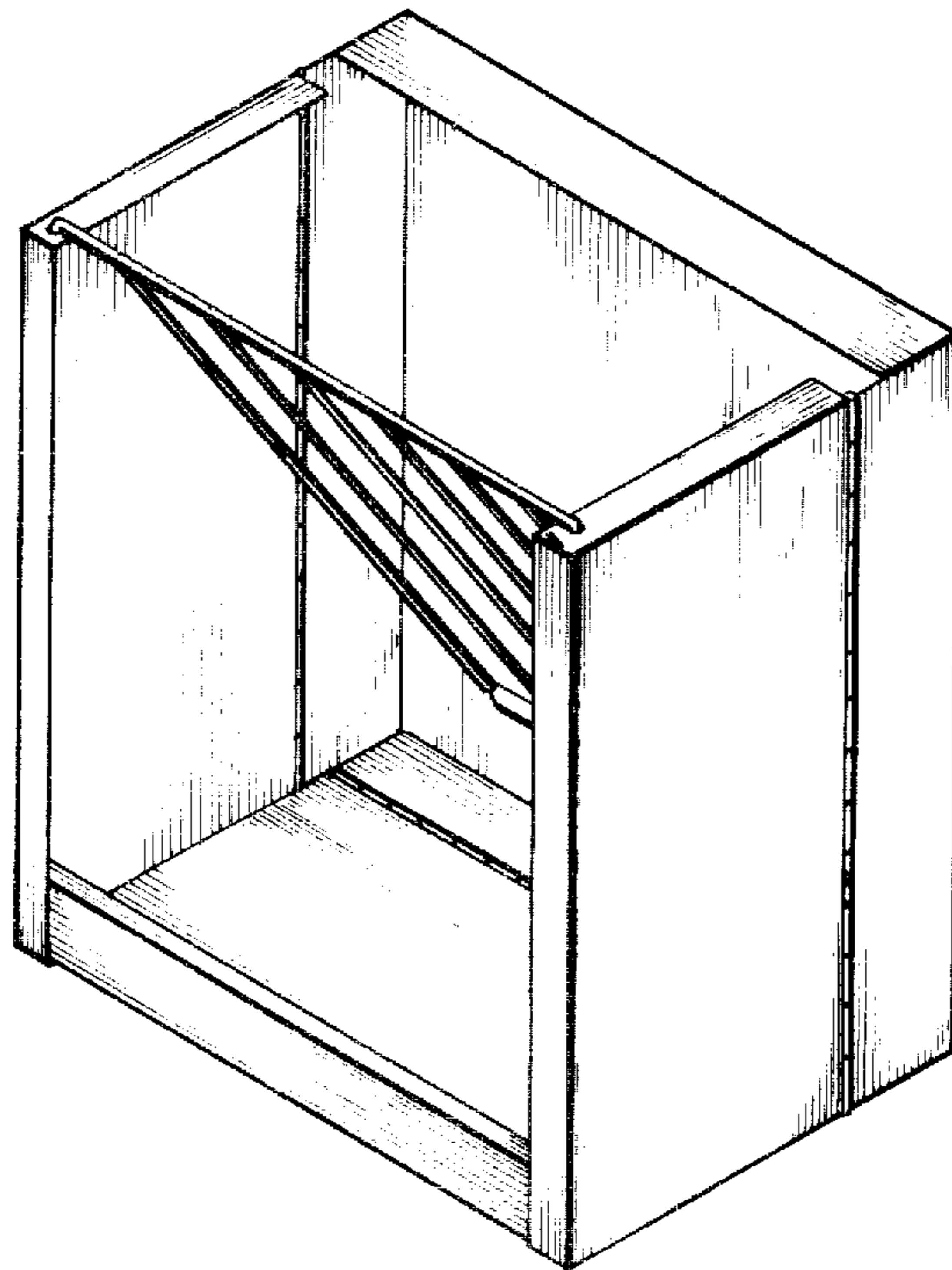
The ornamental design for a foldable livestock feeder,
as shown and described.

DESCRIPTION

FIG. 1 is a perspective view taken from the top, front
and right side of a foldable livestock feeder showing my
new design;
FIG. 2 is a perspective view taken from the top, front
and right side thereof, showing the feeder in a partially
closed position, the rear being plain;
FIG. 3 is a front elevational view of FIG. 1;
FIG. 4 is a top plan view of FIG. 1;
FIG. 5 is a bottom plan view of FIG. 1; and
FIG. 6 is a left side elevational view of FIG. 1.

[56] References Cited
U.S. PATENT DOCUMENTS

D. 11,853 7/1880 Wiard D30/13
34,152 1/1862 Mackintire 119/58
D. 237,599 11/1975 Cox D30/13
D. 264,138 4/1982 Horden D30/13
786,557 4/1905 Goedo 119/61



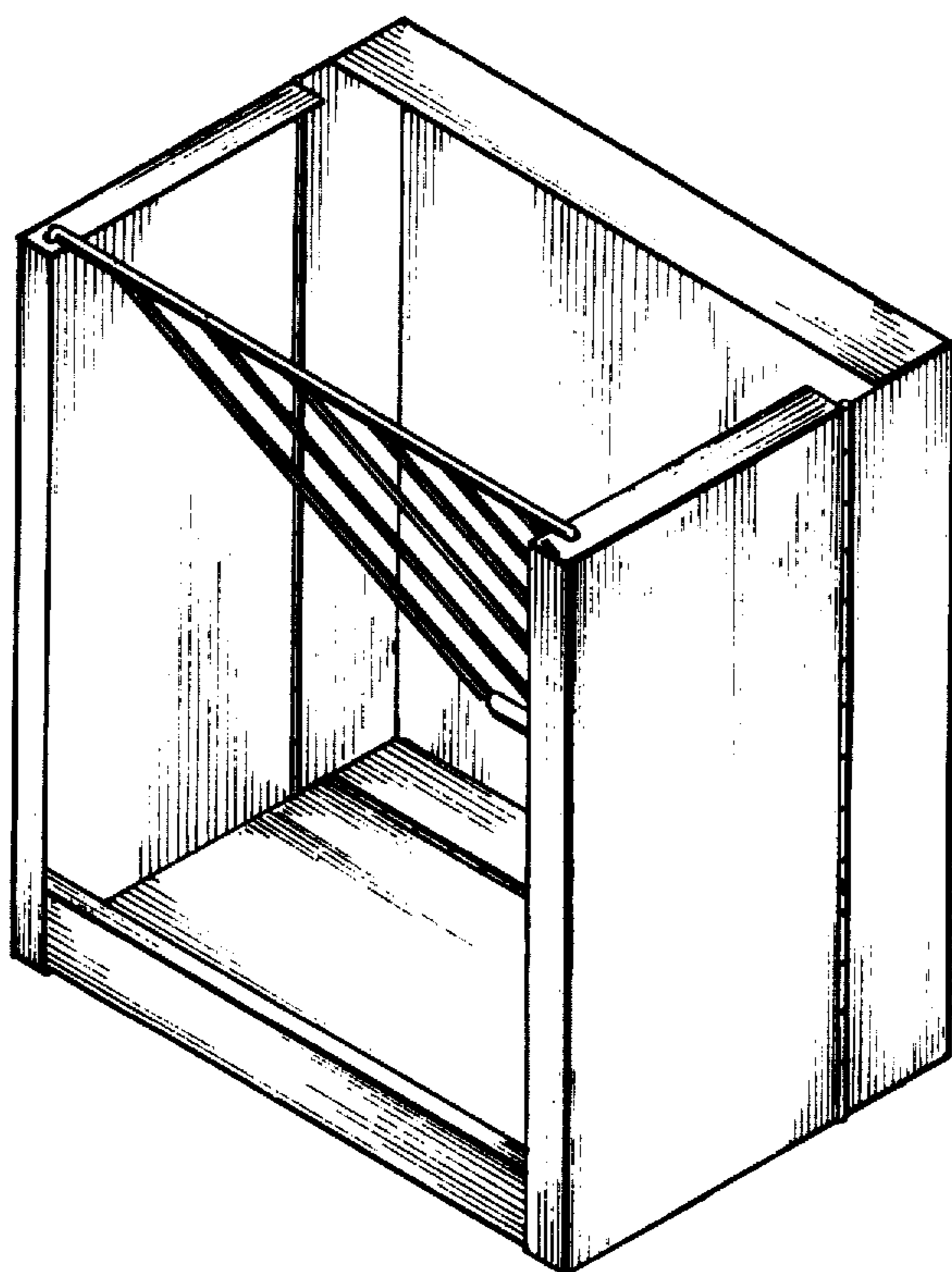


Fig. 1

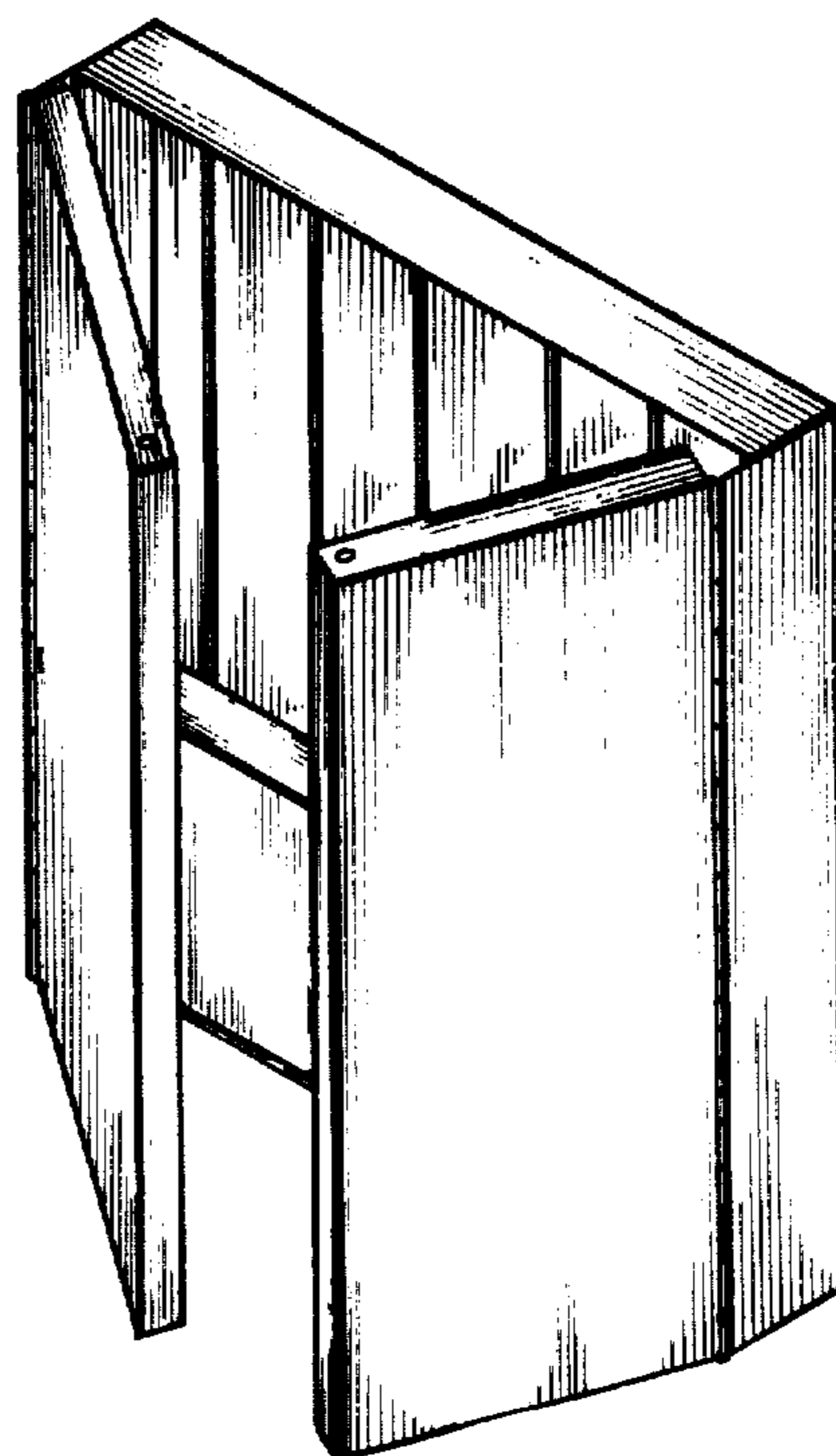


Fig. 2

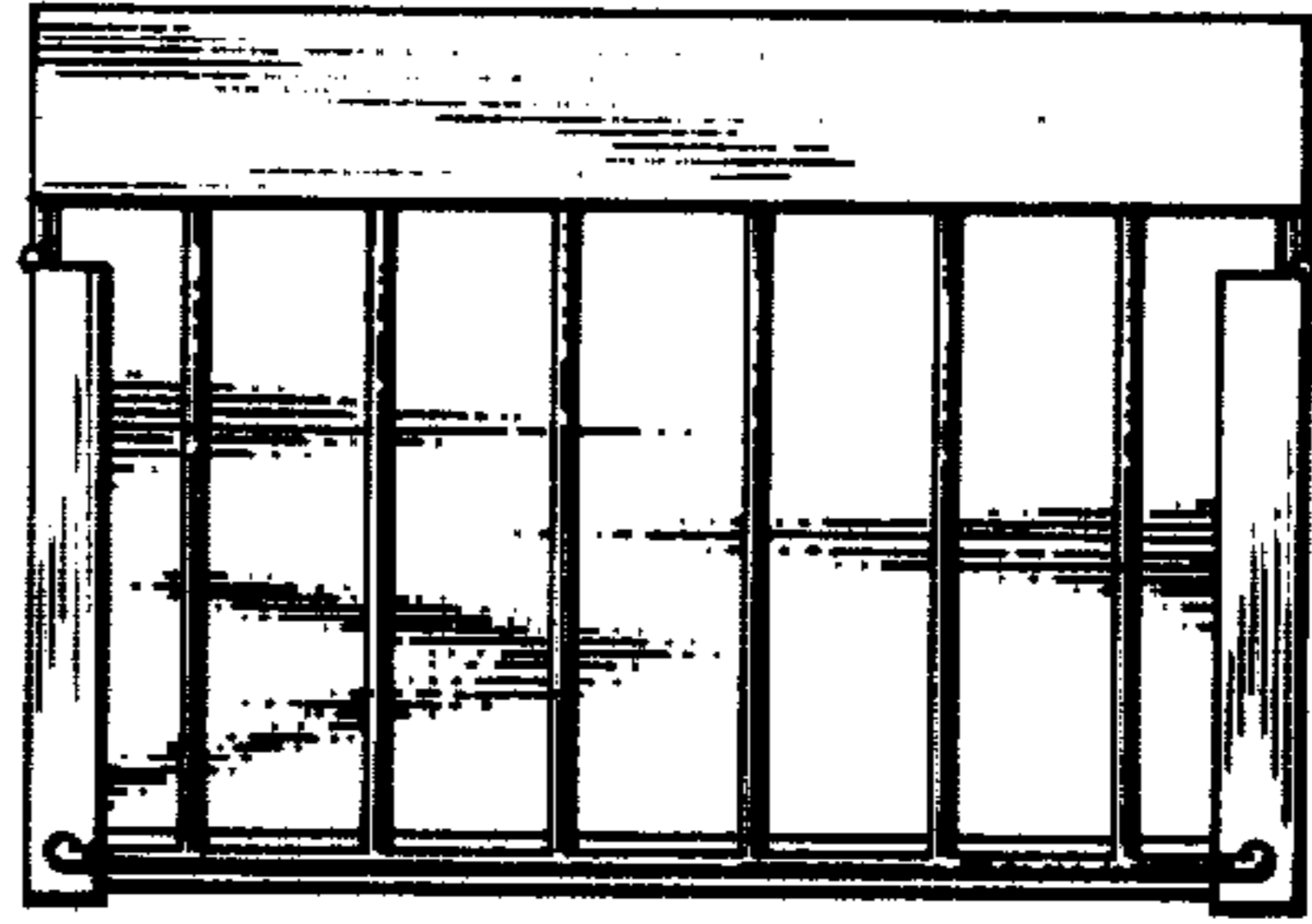


Fig. 4

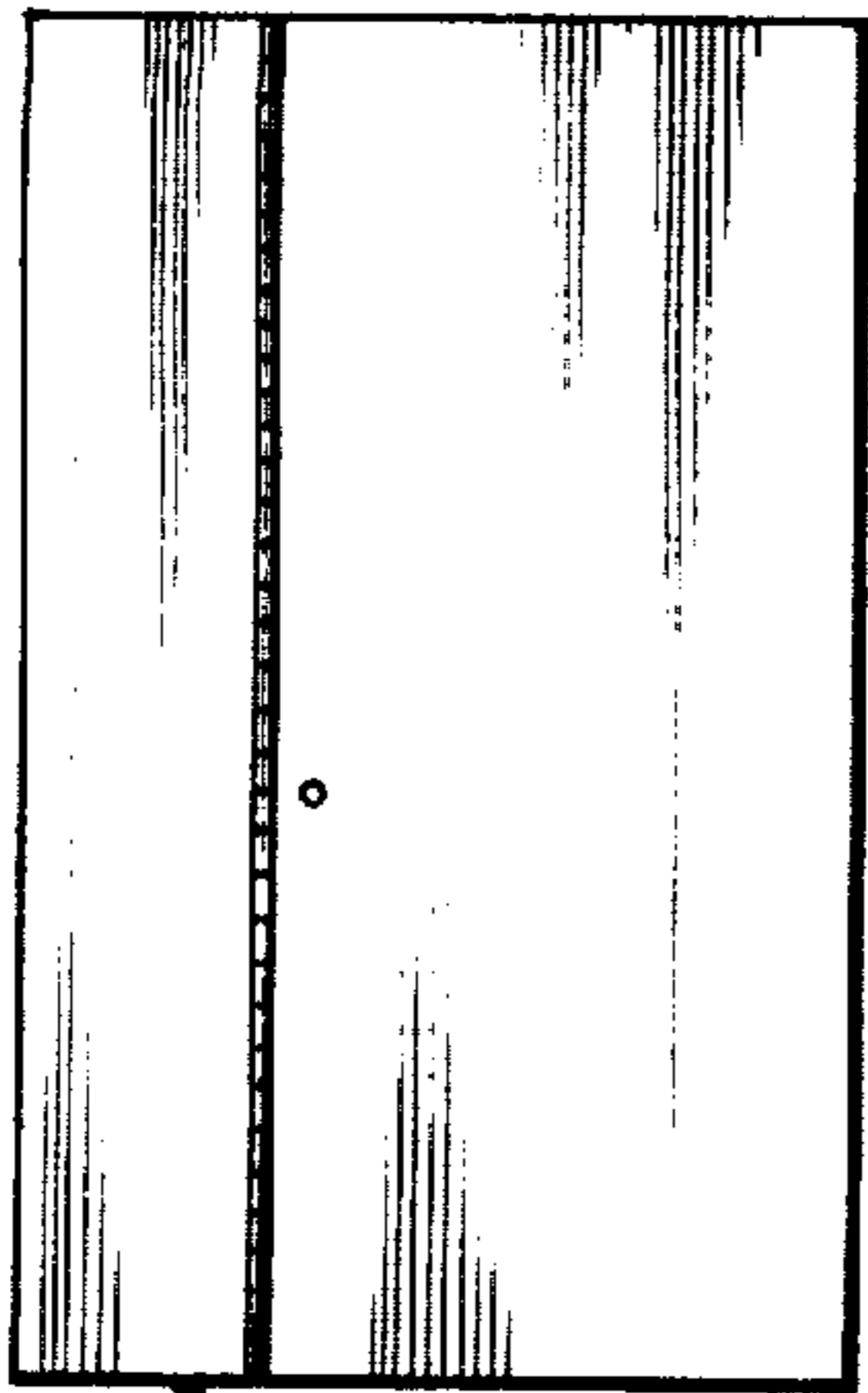


Fig. 6

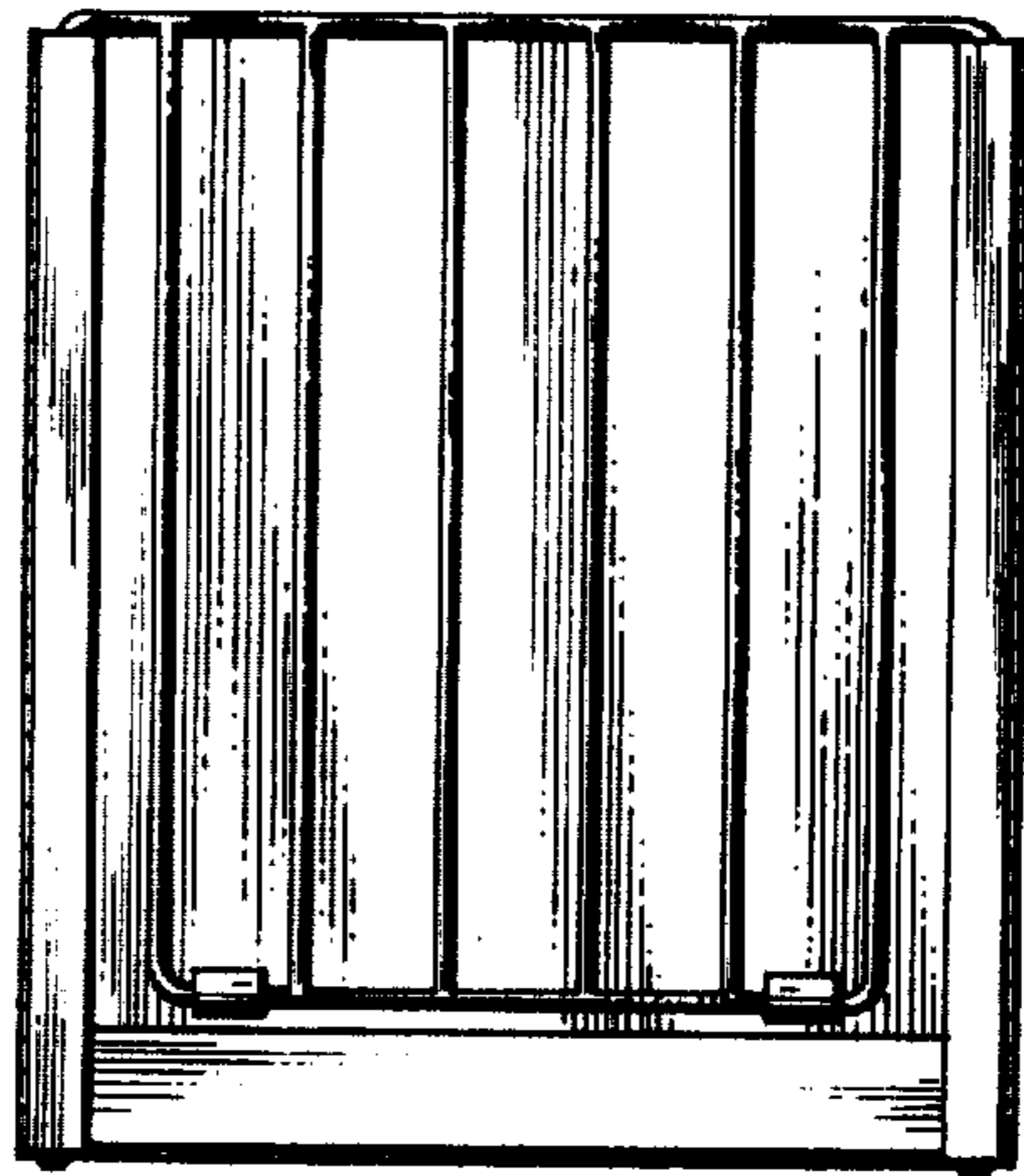


Fig. 3

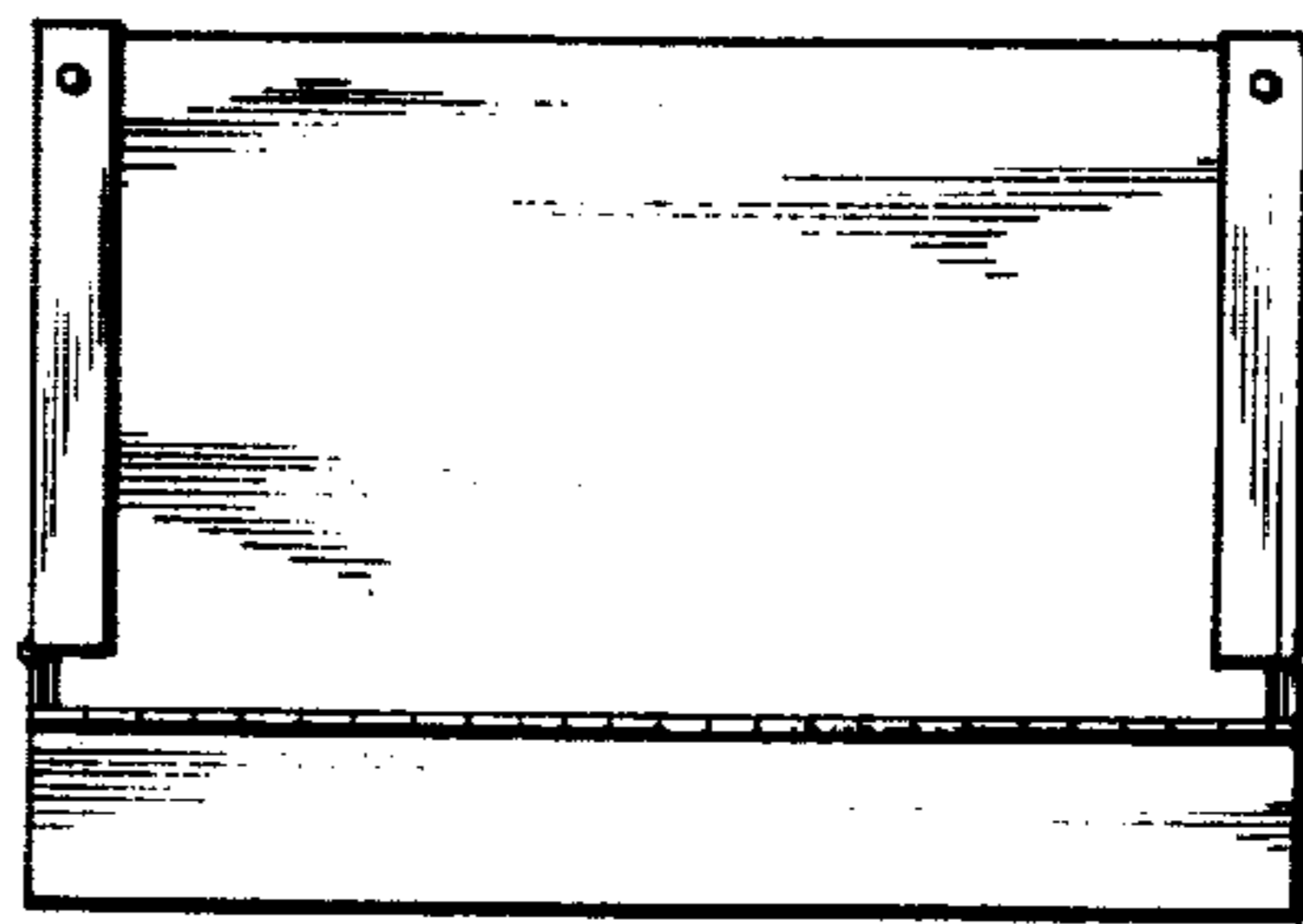


Fig. 5