

[54] DUST FILTERING RESPIRATOR

[75] Inventors: Sheng-Chung Liao, Murrysville; John W. Neidhart, Monroeville, both of Pa.

[73] Assignee: Mine Safety Appliances Company, Pittsburgh, Pa.

[**] Term: 14 Years

[21] Appl. No.: 277,062

[22] Filed: Jun. 24, 1981

[51] Int. Cl. D29-02

[52] U.S. Cl. D29/7

[58] Field of Search D29/7, 8; D11/95, 75; 128/206.12, 206.26, 206.19, 206.15, 206.24; D2/234

[56] References Cited

U.S. PATENT DOCUMENTS

2,227,667	1/1941	Panethene	D29/8
2,382,364	8/1945	Taut	128/206.24
2,964,038	12/1960	Silverman	238/206.15
3,220,409	11/1965	Liloia et al.	128/206.19
3,490,447	1/1970	Jackson	D2/234

FOREIGN PATENT DOCUMENTS

1503573	10/1967	France	128/206.19
---------	---------	--------	-------	------------

Primary Examiner—Wallace R. Burke
Assistant Examiner—Horace B. Fay, Jr.
Attorney, Agent, or Firm—Carothers & Carothers

[57] CLAIM

The ornamental design for a dust filtering respirator, as shown and described.

DESCRIPTION

FIG. 1 is a front view of our dust filtering respirator; FIG. 2 is a rear view; and FIG. 3 is a vertical cross section on the line 3—3 of FIG. 2.

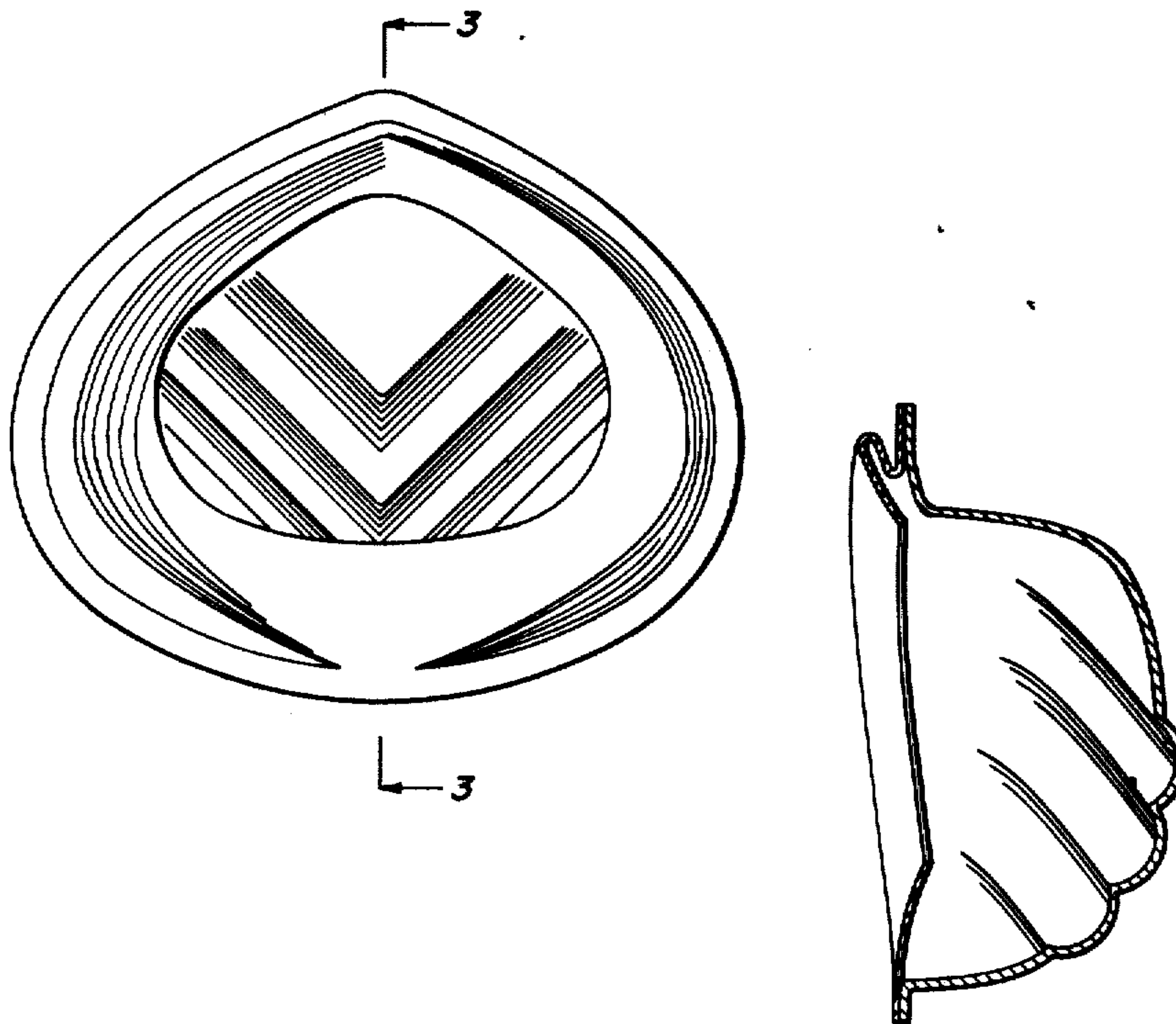




Fig. 1

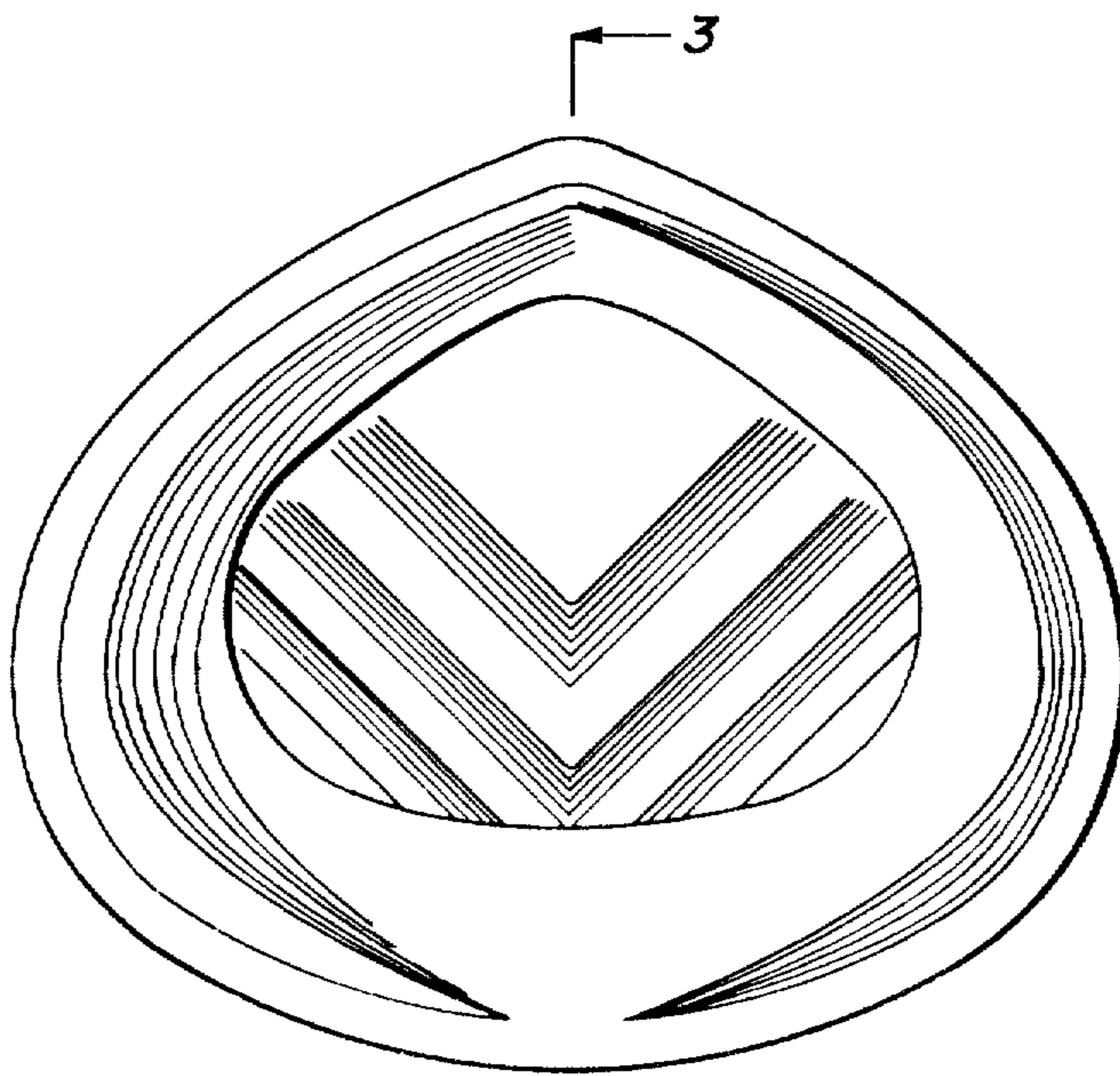


Fig. 2

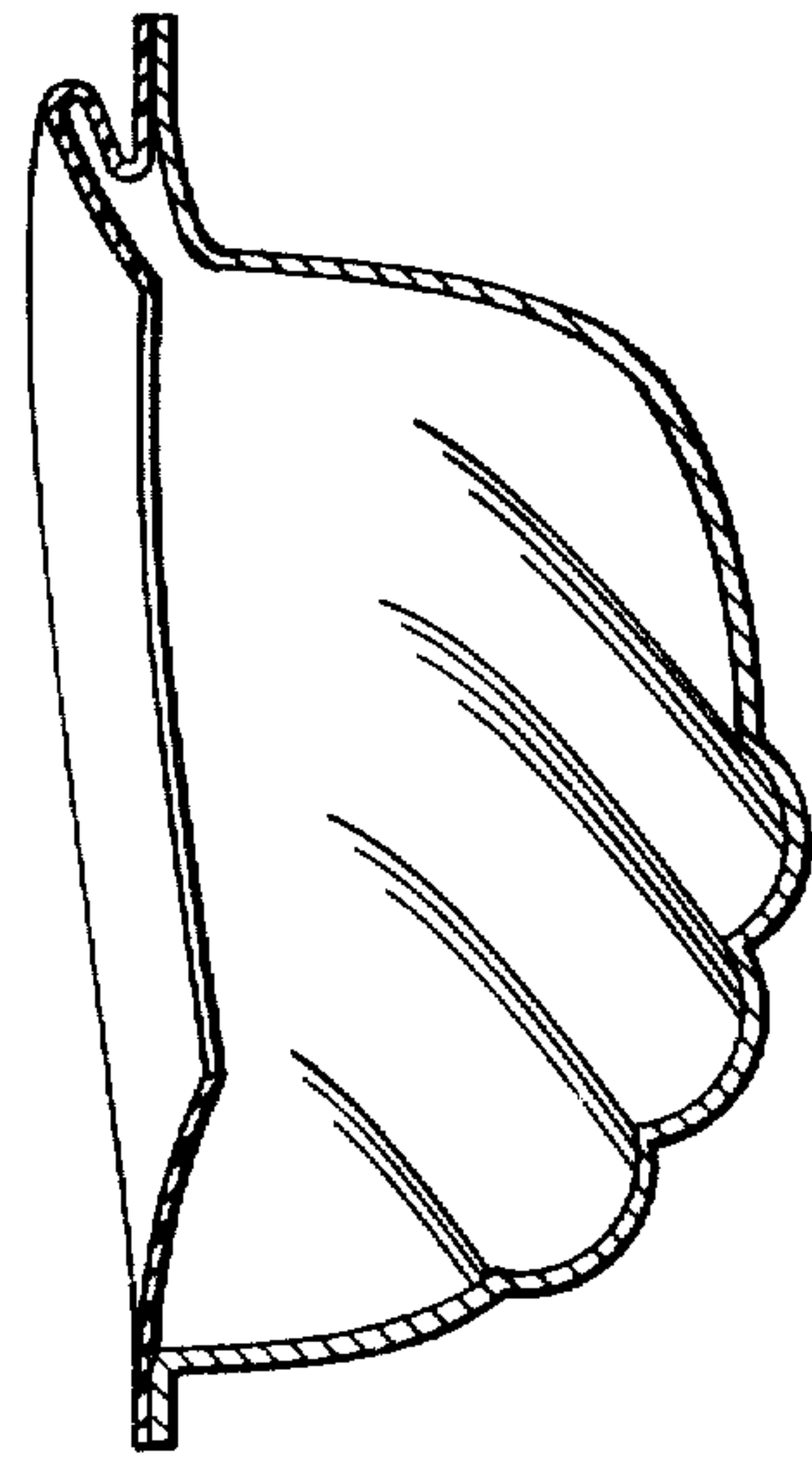


Fig. 3