

[54] FOG LIGHT

[75] Inventor: Hisao Yabata, Tamamura, Japan

[73] Assignee: Ichikawa Press Industry Co., Ltd., Takasaki, Japan

[**] Term: 14 Years

[21] Appl. No.: 296,926

[22] Filed: Aug. 27, 1981

[30] Foreign Application Priority Data

May 27, 1981 [JP] Japan 56-22634

[51] Int. Cl. D26-06

[52] U.S. Cl. D26/29

[58] Field of Search D26/28, 29, 30, 31, D26/34, 35, 36; 362/61, 82, 83, 235, 236, 240, 244, 246, 297, 307, 341, 346-350

[56] References Cited

U.S. PATENT DOCUMENTS

- D. 217,386 4/1970 Muneoka D26/36 X
- D. 229,507 12/1973 Boano D26/35
- D. 256,057 7/1980 Ichikawa D26/29

FOREIGN PATENT DOCUMENTS

- 1130385 3/1962 Fed. Rep. of Germany 362/350
- 2421757 12/1979 France 362/329
- 1263197 2/1972 United Kingdom 362/307

OTHER PUBLICATIONS

- Photocopy of IPF Model 101.
- Photocopy of Blazer Model 200 and 210.
- Photocopy of IPF Model 106.
- Photocopy of IPE Model 613.

Primary Examiner—Susan J. Lucas
Attorney, Agent, or Firm—Flynn, Thiel, Boutell & Tanis

[57] CLAIM

The ornamental design for a fog light, as shown and described.

DESCRIPTION

FIG. 1 is a front perspective view of a fog light showing my new design;
FIG. 2 is a rear perspective view thereof;
FIG. 3 is a side elevational view thereof;
FIG. 4 is a top view thereof.

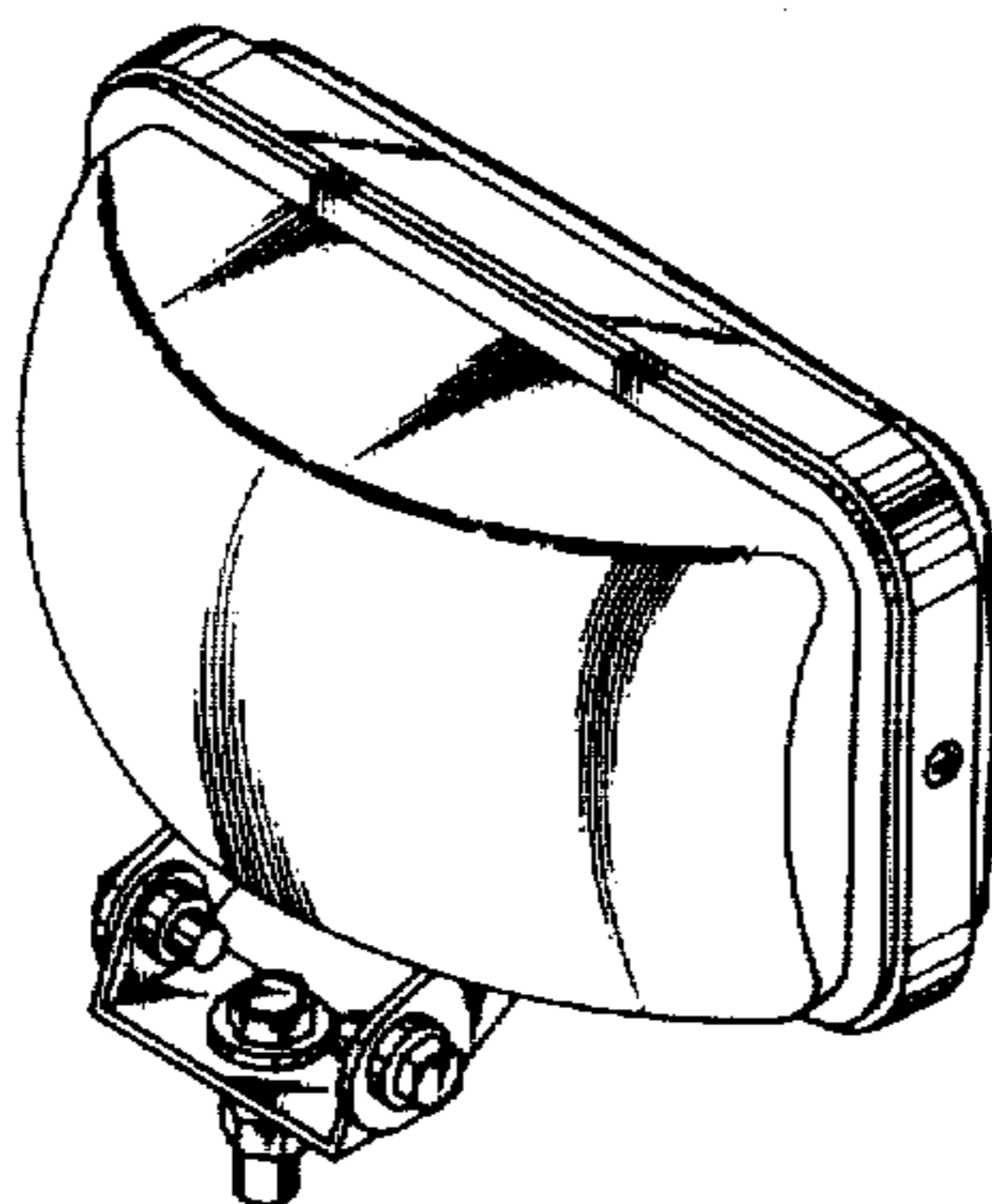
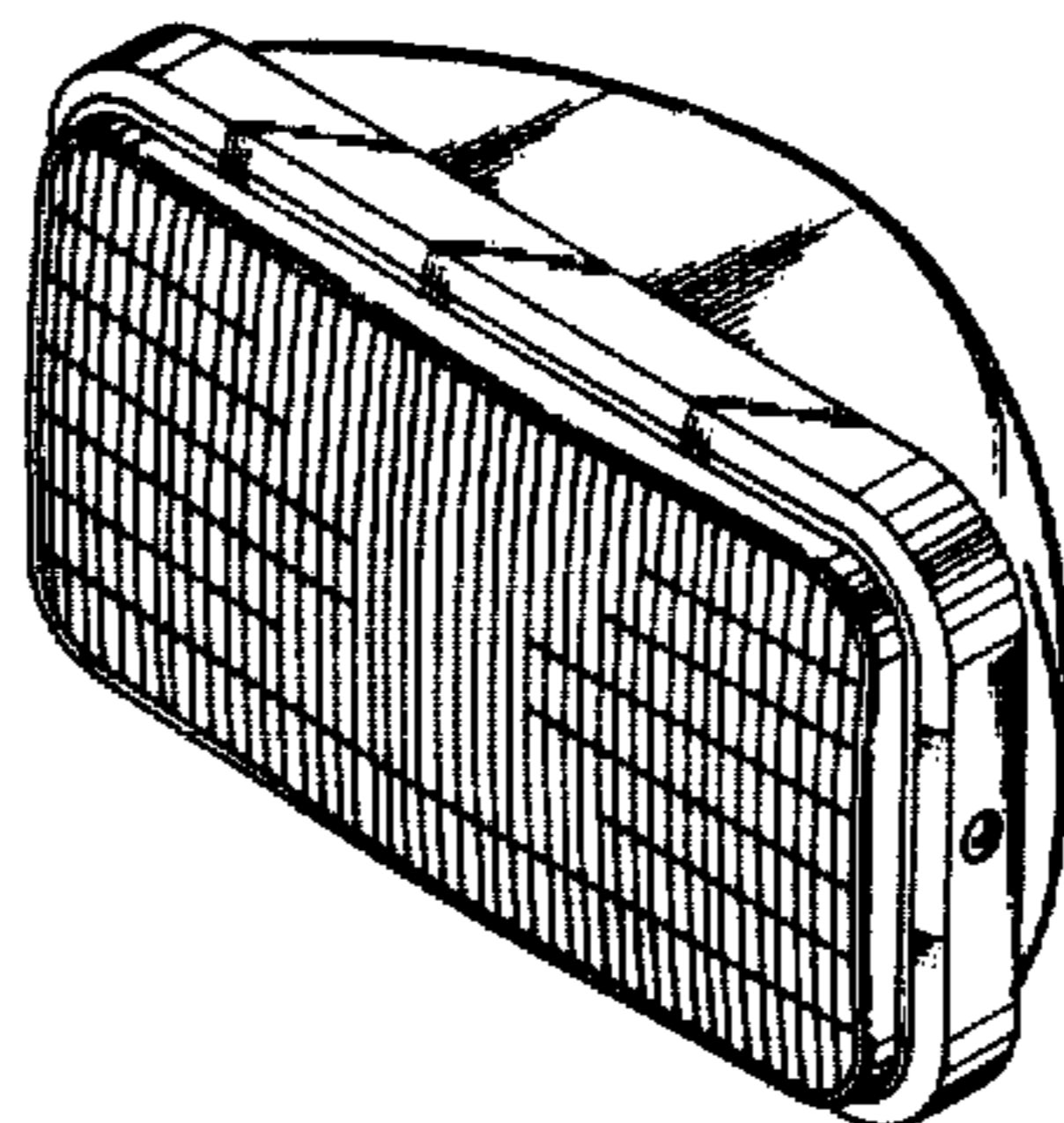


FIG. 1

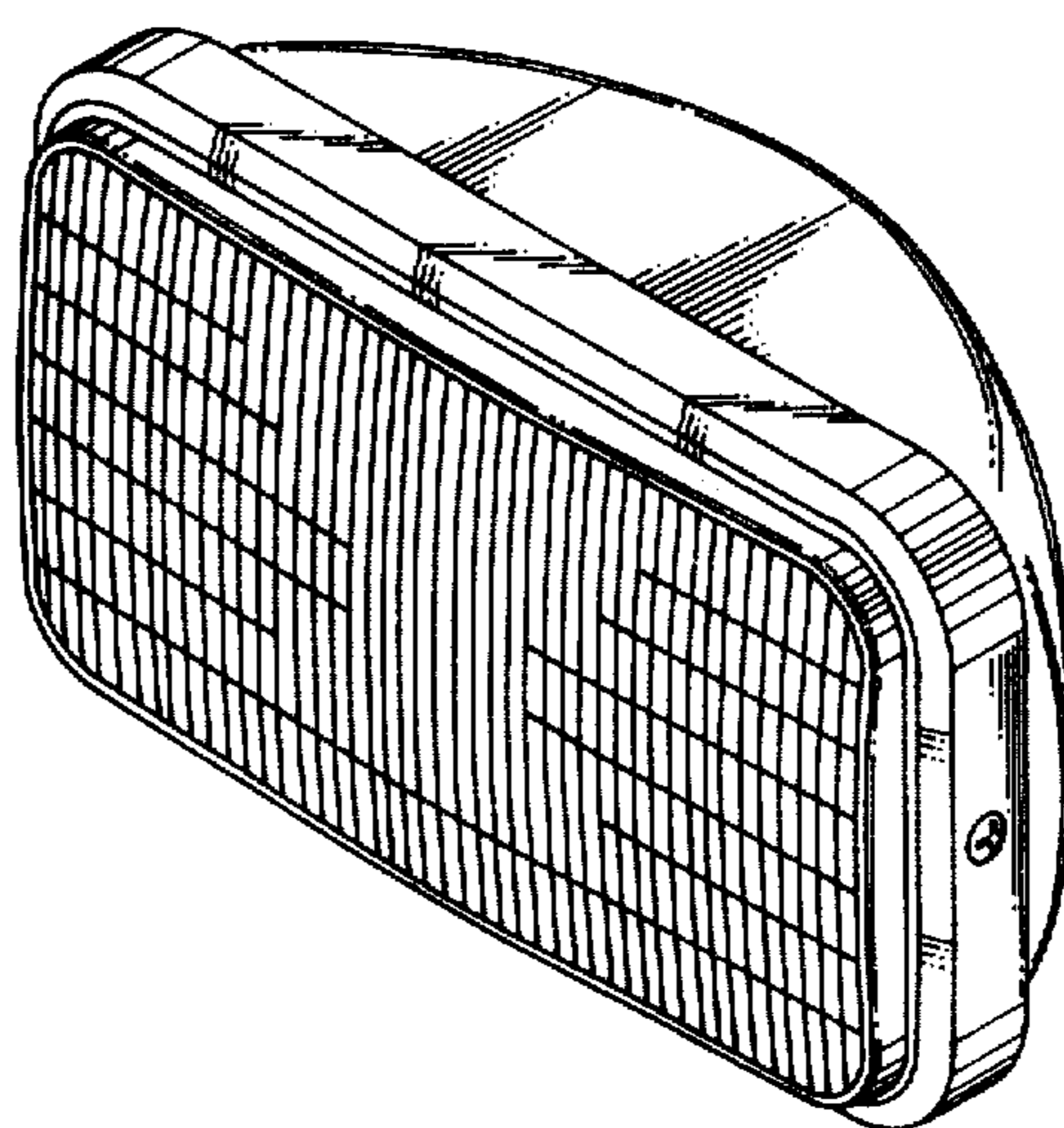


FIG. 2

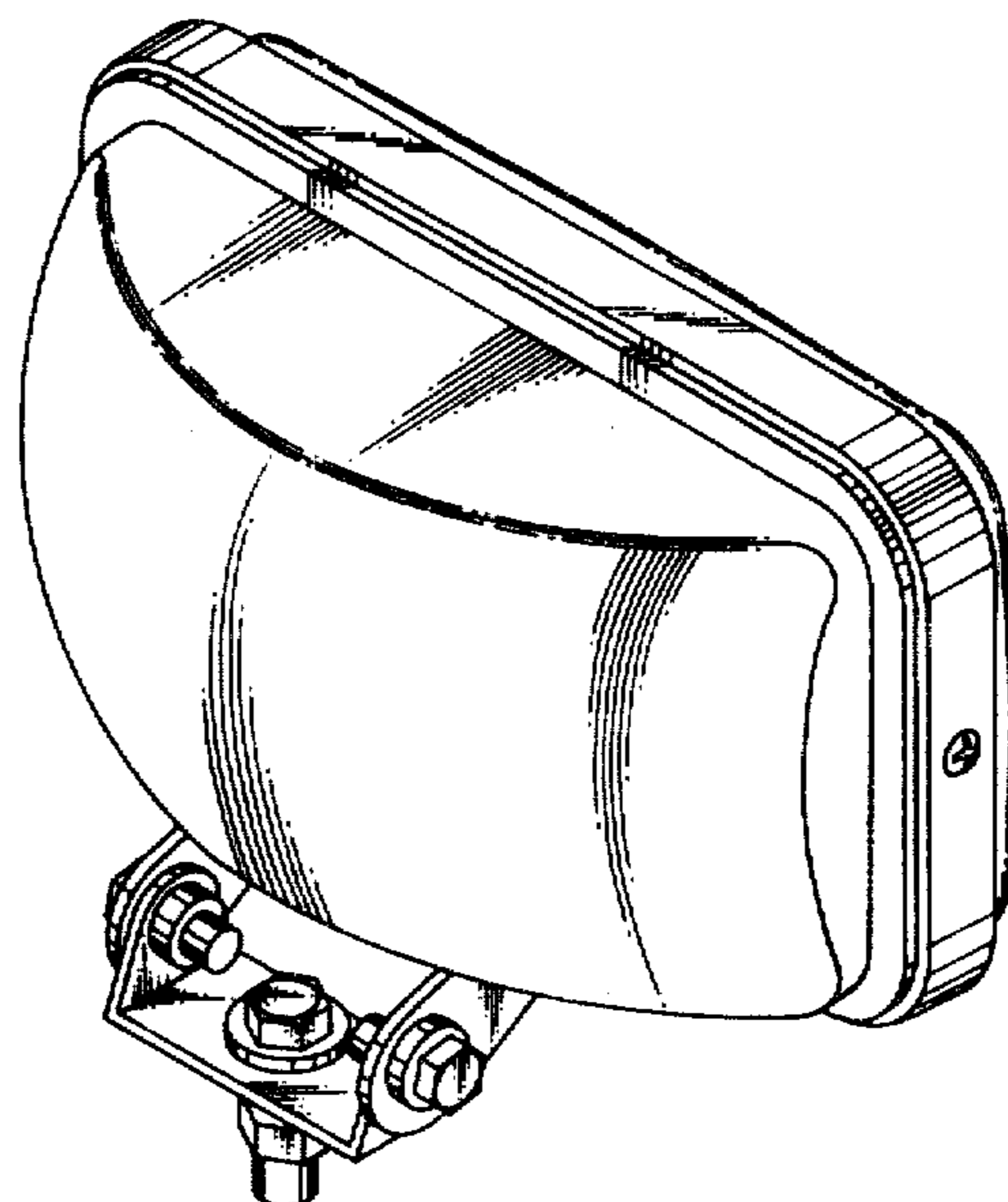


FIG. 3

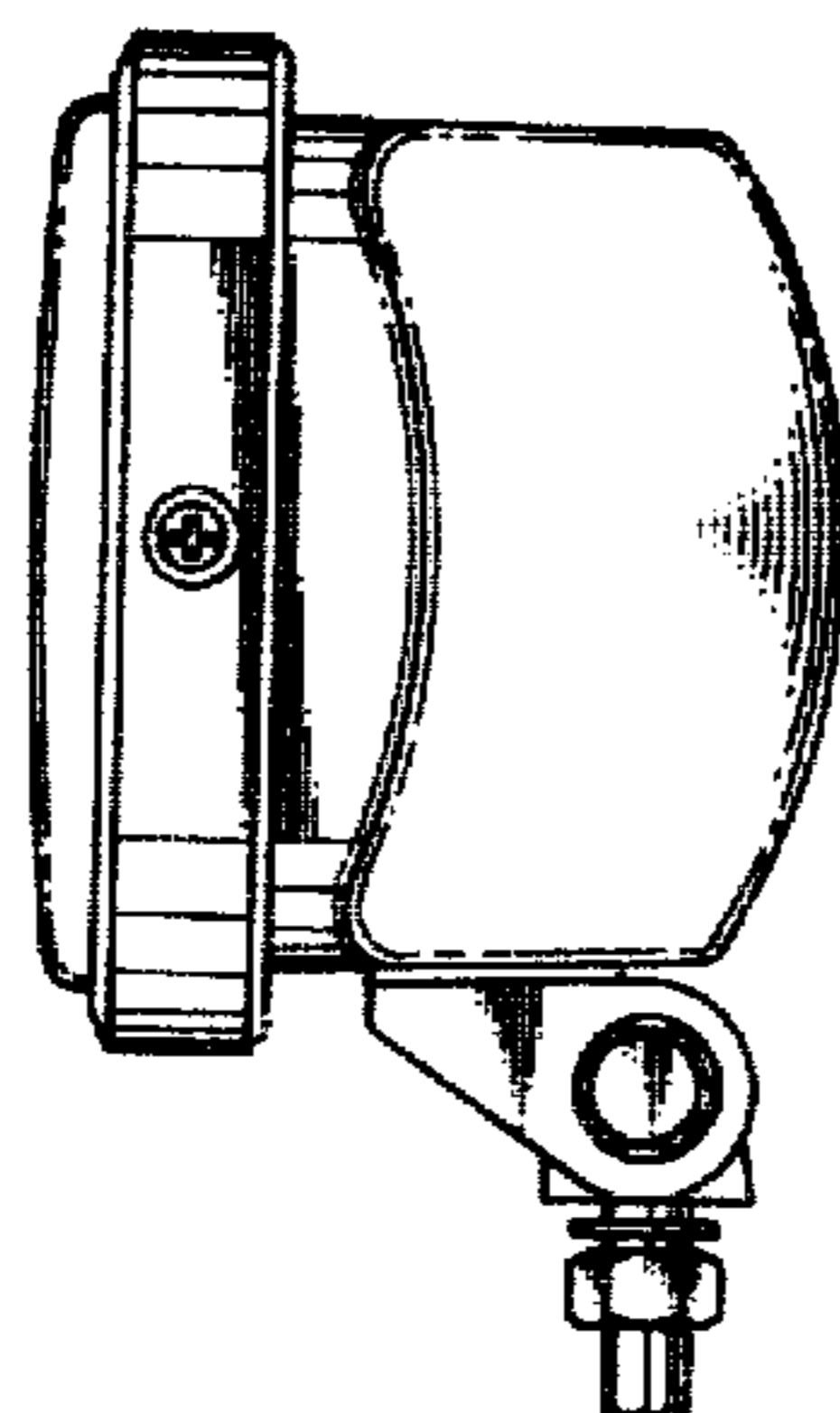


FIG. 4

