

[54] BEAM

[76] Inventors: Björn K. Sundeby, Höösvägen 16, Moheda, Sweden, S-340 36; Per A. Ljungberg, Borgmästaregatan 2, Växjö, Sweden

[\*\*] Term: 14 Years

[21] Appl. No.: 300,524

[22] Filed: Sep. 9, 1981

[30] Foreign Application Priority Data

Mar. 11, 1981 [SE] Sweden ..... 81-0619

[51] Int. Cl. .... D25-01

[52] U.S. Cl. .... D25/77; D25/74

[58] Field of Search ..... 52/729, 730, 738, 732; D25/38, 73, 74, 75, 77

[56]

References Cited

U.S. PATENT DOCUMENTS

1,954,954	4/1934	Shugart .....	52/732 X
2,363,164	11/1944	Waller .....	52/729 X
3,027,984	4/1962	Dunn .....	52/729 X
3,313,424	4/1967	Gingher .....	D25/74 X
3,736,599	6/1973	Kessler et al. ....	D25/74 X
4,198,034	4/1980	Svirklys .....	D25/38 X

Primary Examiner—A. Hugo Word  
Attorney, Agent, or Firm—Beveridge, DeGrandi & Kline

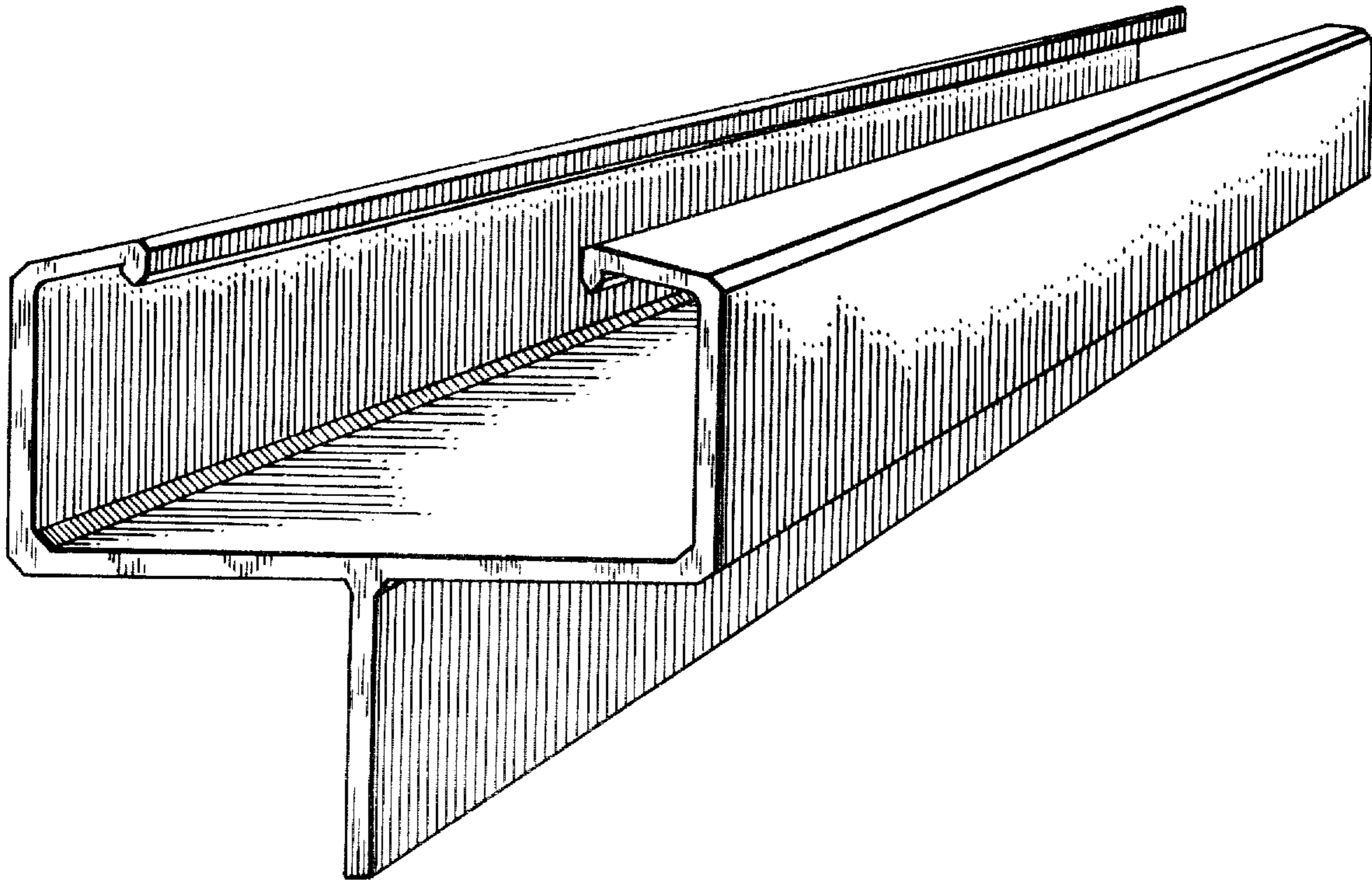
[57]

CLAIM

The ornamental design of a beam, as shown.

DESCRIPTION

The single FIGURE is a top perspective view of the profiled beam of our new design.



U.S. Patent

Nov. 15, 1983

Des. 271,423

