

[54] MEDICAL VALVE

[76] Inventor: James W. Fetterman, 445 Franklin St., Apt. 24, Athens, Ga. 30601

[**] Term: 14 Years

[21] Appl. No.: 272,898

[22] Filed: Jun. 12, 1981

[51] Int. Cl. D24—99; D23—01

[52] U.S. Cl. D24/53; 137/556; 137/625.41; 604/248; 604/32; D23/19

[58] Field of Search 604/32, 248; D24/53; 137/559; D23/19

[56] References Cited

U.S. PATENT DOCUMENTS

| | | | | |
|------------|---------|---------------------|-------|----------|
| D. 199,488 | 11/1964 | Beall | | D24/53 |
| D. 257,384 | 10/1980 | Hetherington et al. | | D23/19 X |
| D. 263,871 | 4/1982 | Matsuura | | D24/53 |
| D. 264,131 | 4/1982 | Matsuura | | D24/53 |
| 3,276,472 | 10/1966 | Jinkens et al. | | 137/556 |

| | | | | |
|-----------|---------|--------------|-------|------------|
| 3,774,604 | 11/1973 | Danielsson | | 604/32 X |
| 3,780,736 | 12/1973 | Chen | | 604/32 |
| 3,916,948 | 11/1975 | Benjamin | | 137/559 X |
| 3,957,082 | 5/1976 | Fuson et al. | | 137/625.41 |
| 4,003,403 | 1/1977 | Nehring | | 137/625.41 |
| 4,219,021 | 8/1980 | Fink | | 604/248 X |

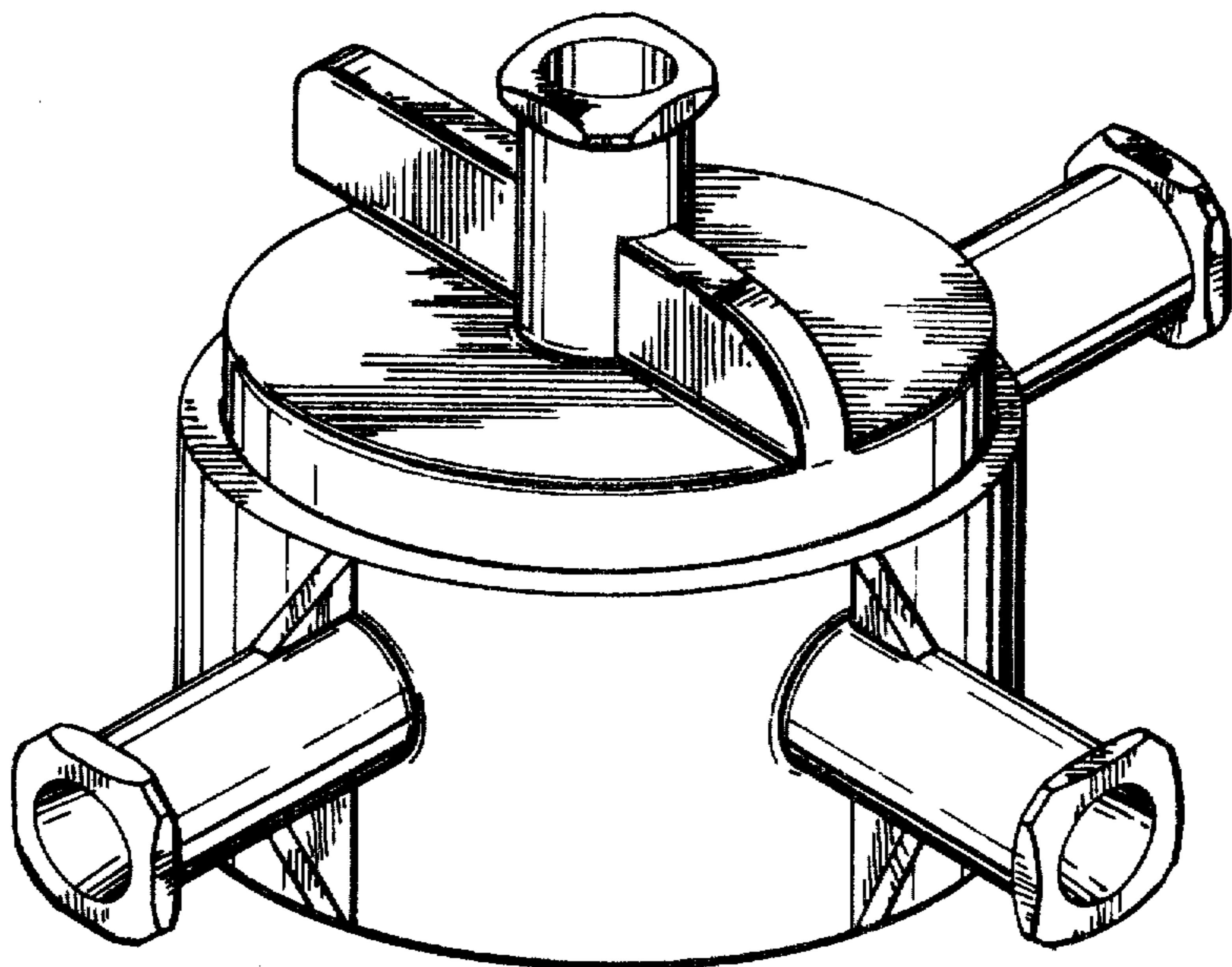
Primary Examiner—Bernard Ansher
Attorney, Agent, or Firm—George M. Thomas

[57] CLAIM

The ornamental design for a medical valve, as shown and described.

DESCRIPTION

FIG. 1 is a perspective view of a medical valve showing my new design;
FIG. 2 is a front elevational view thereof;
FIG. 3 is a top plan view thereof;
FIG. 4 is a rear elevational view thereof;
FIG. 5 is a bottom plan view thereof; and
FIG. 6 is a side elevational view of the left side thereof, with the opposite side being a mirror image thereof.



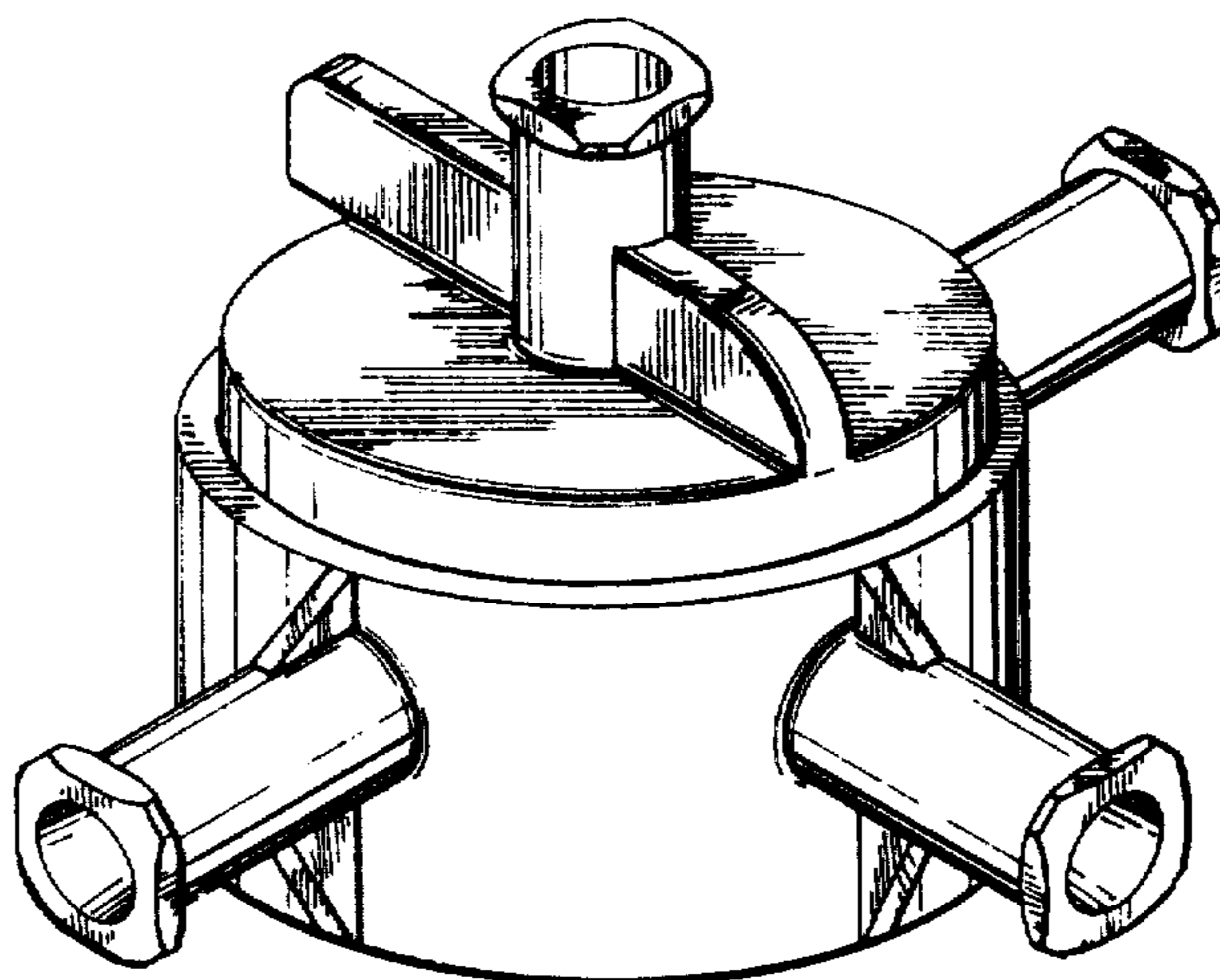


Fig. 1

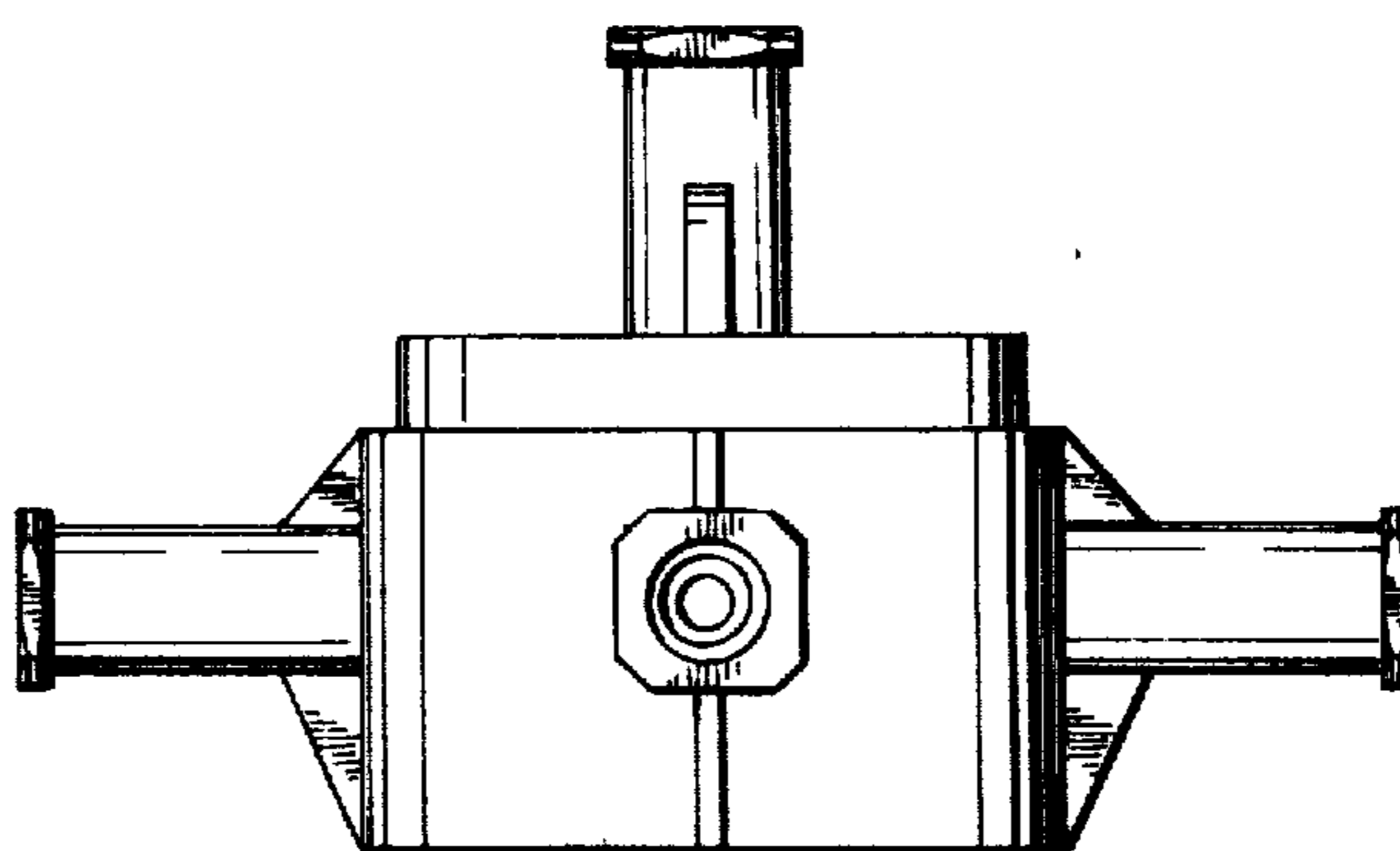


Fig. 2

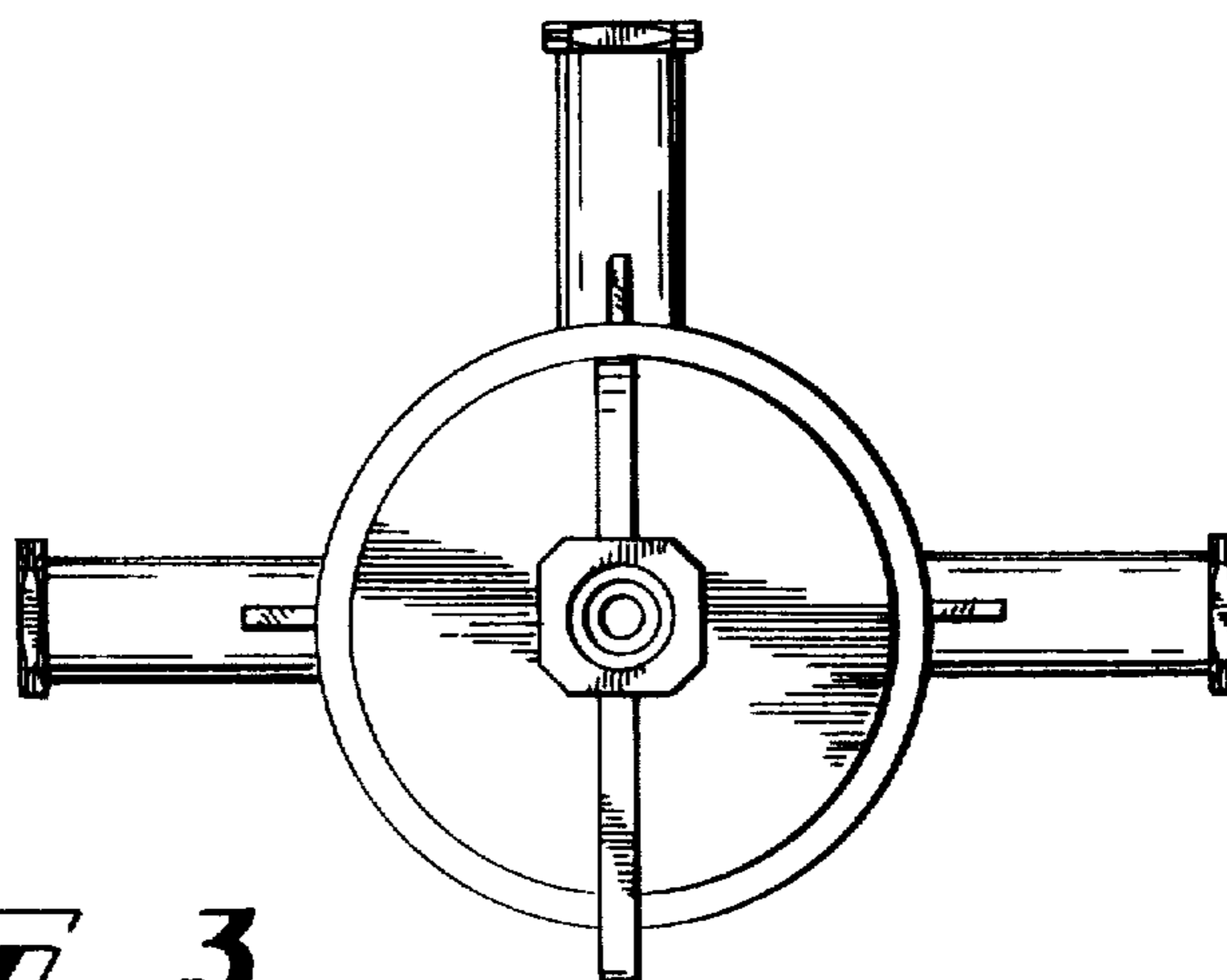


Fig. 3

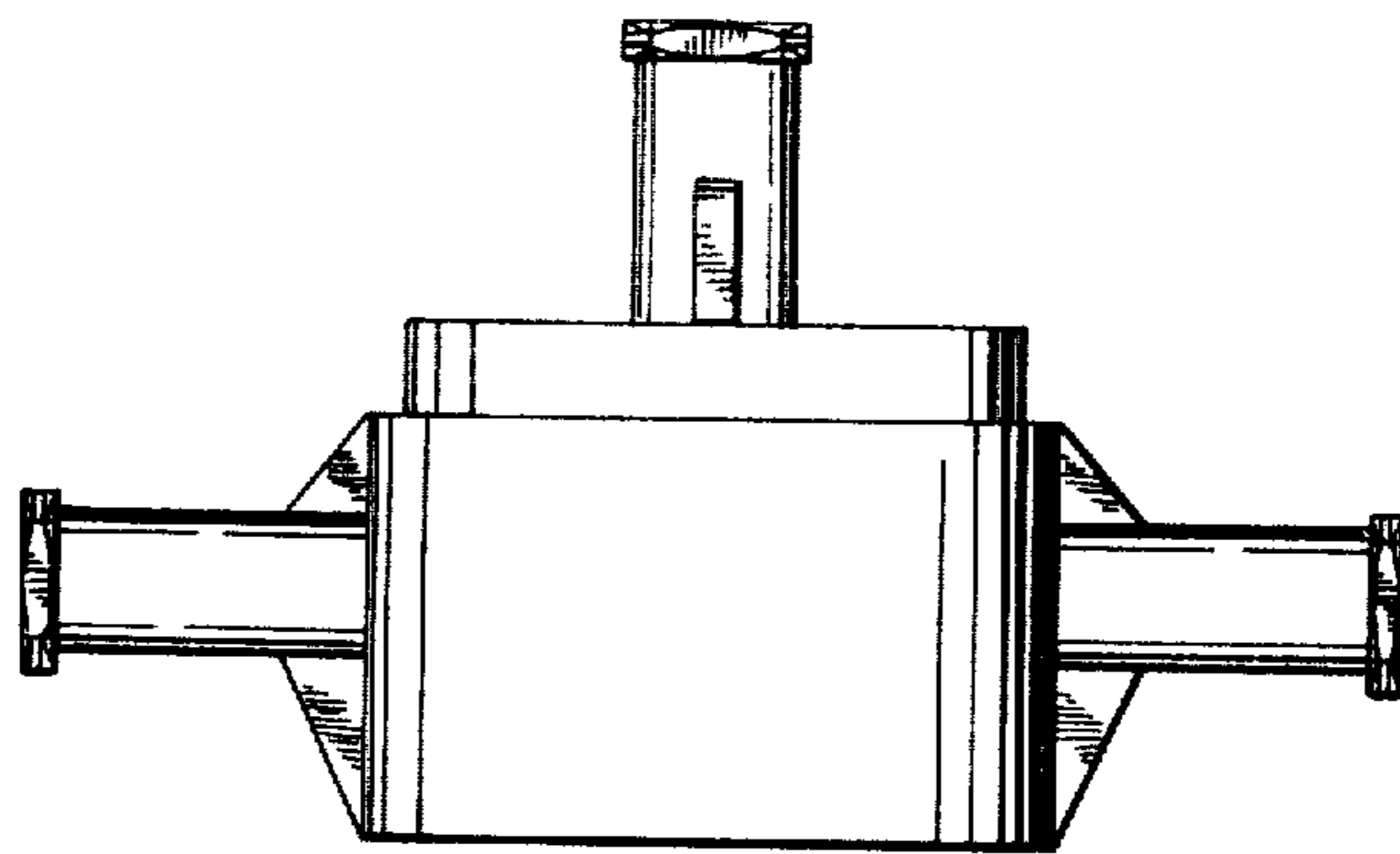


Fig. 4

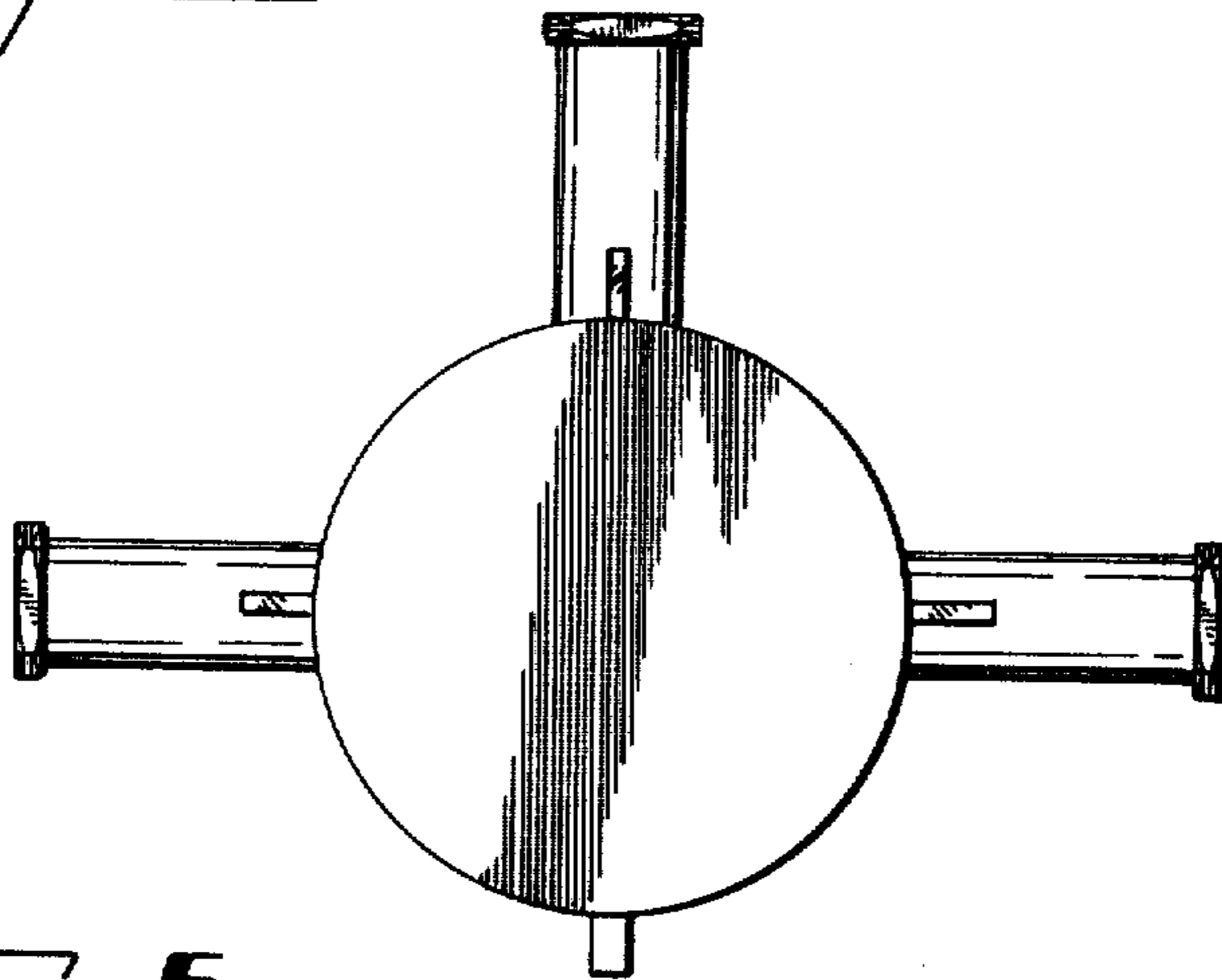


Fig. 5

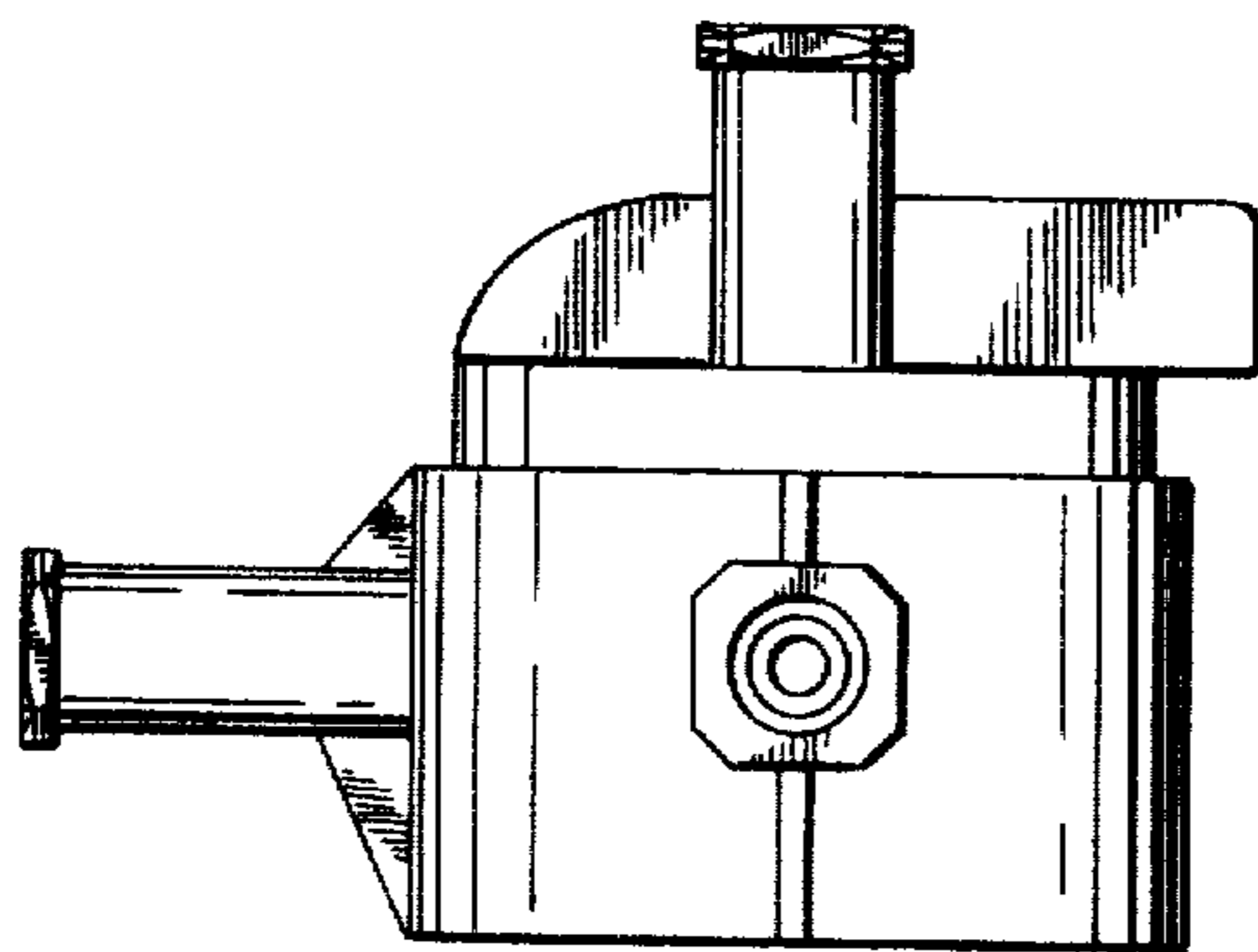


Fig. 6