

- [54] **BARBELL**
- [76] Inventor: **Robert J. Bauer**, 3138 Chapel Down Dr., Dallas, Tex. 75229
- [\*\*] Term: **14 Years**
- [21] Appl. No.: **330,224**
- [22] Filed: **Dec. 14, 1981**
- [51] Int. Cl. .... **D21-02**
- [52] U.S. Cl. .... **D21/197**
- [58] Field of Search ..... **D9/341; D21/195, 196, D21/197, 198, 199; 272/107, 108, 67, 122, 123, 124, 117; 215/1 R**

3,781,007 12/1973 Baker et al. .... 272/123  
 4,079,932 3/1978 Schuetz ..... 272/122

*Primary Examiner*—Charles A. Rademaker  
*Attorney, Agent, or Firm*—Stanley R. Moore; Thomas L. Crisman; Thomas L. Cantrell

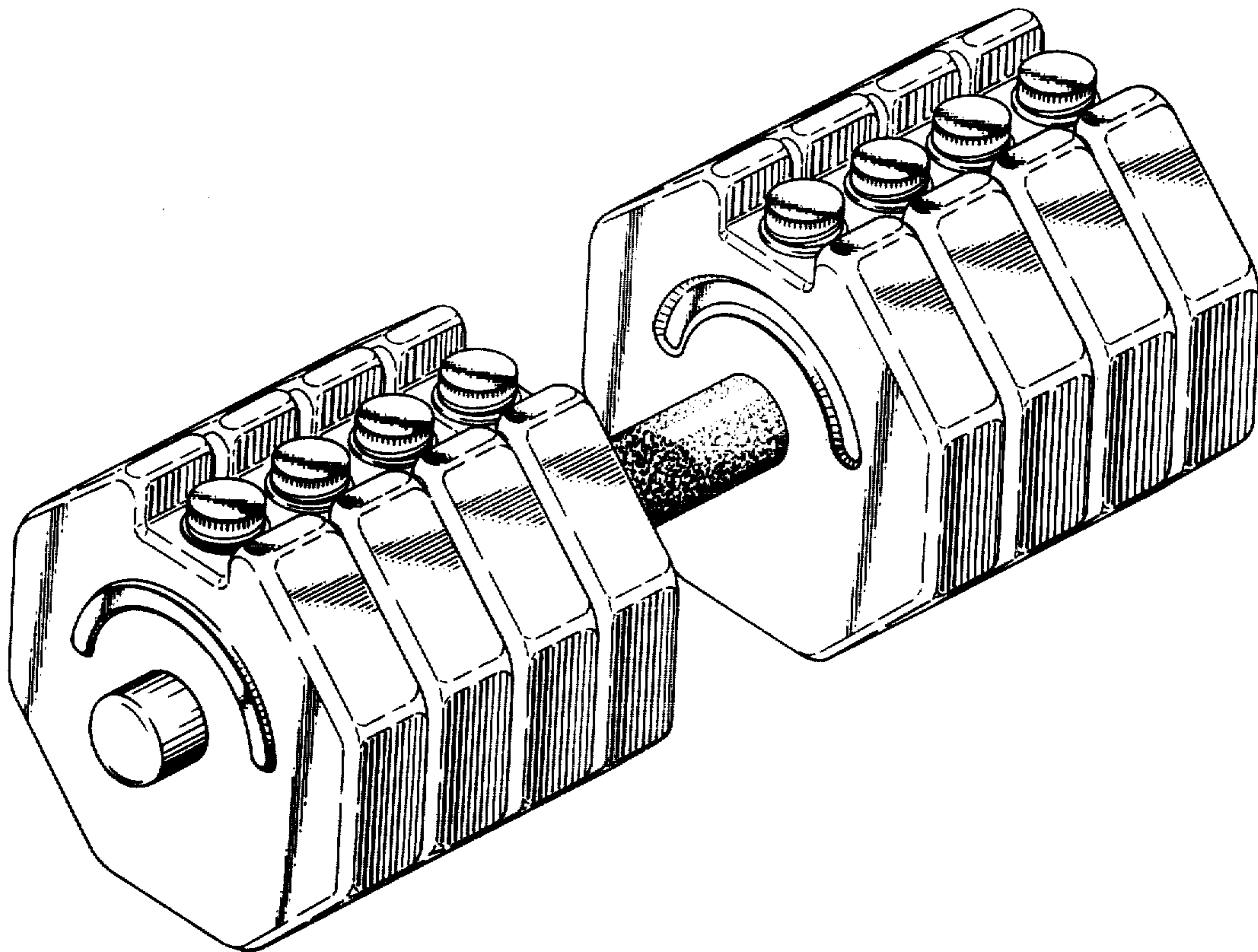
[57] **CLAIM**

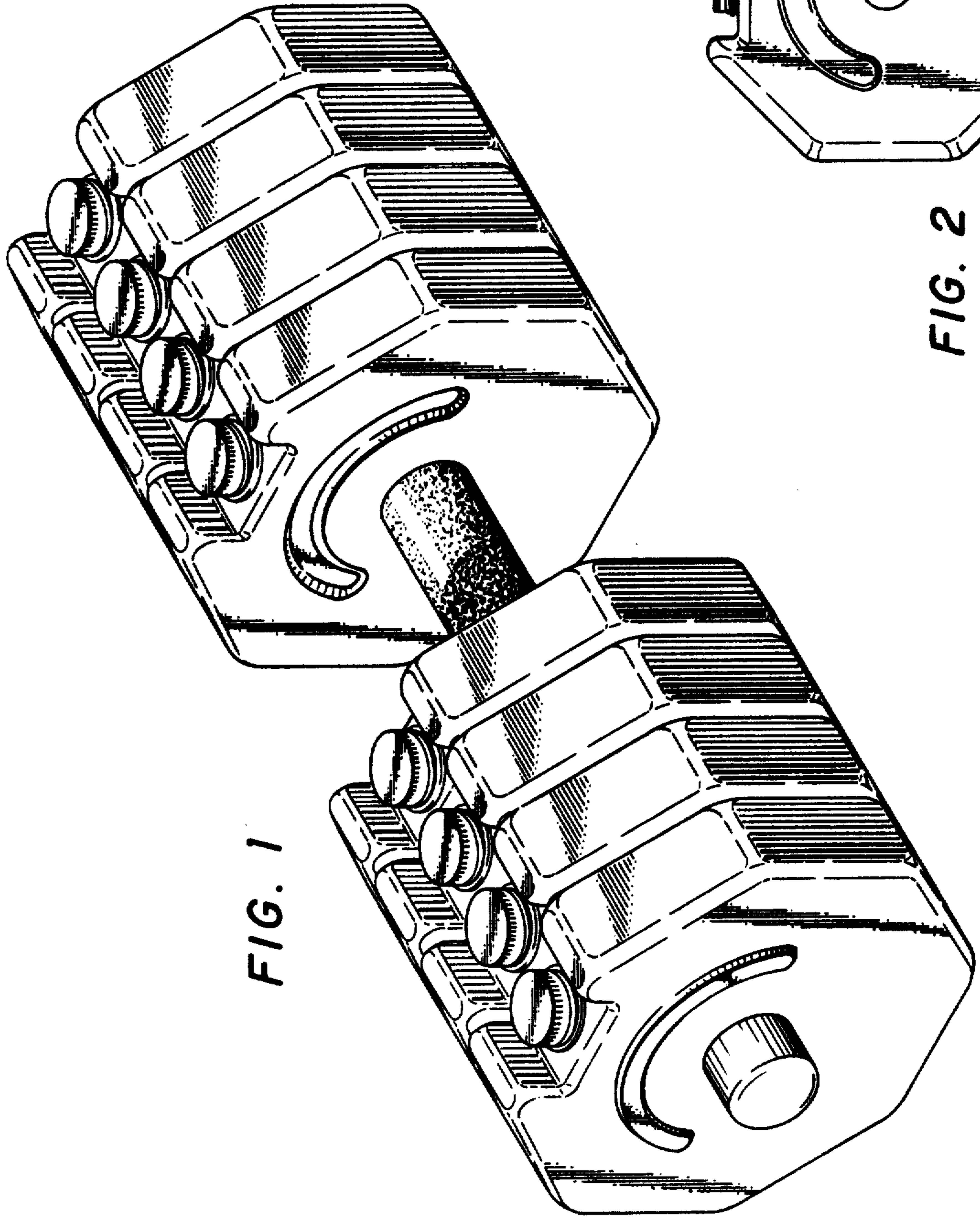
The ornamental design for a barbell, as shown and described.

**DESCRIPTION**

FIG. 1 is a perspective view of a barbell showing my new design;  
 FIG. 2 is a left side elevational view thereof shown on a reduced scale;  
 FIG. 3 is a top plan view thereof;  
 FIG. 4 is a front elevational view thereof, the rear elevational view being substantially identical; and  
 FIG. 5 is a bottom plan view thereof.

- [56] **References Cited**  
**U.S. PATENT DOCUMENTS**  
 3,231,270 1/1966 Winer ..... D21/197





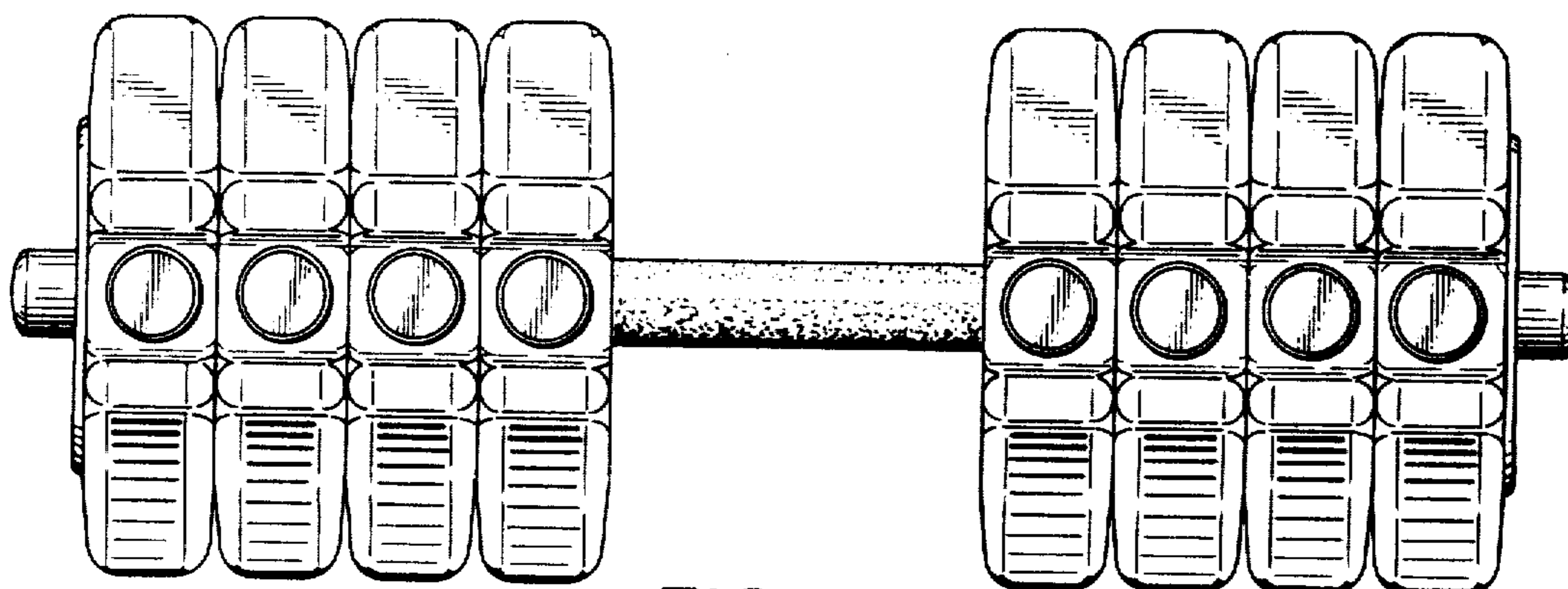


FIG. 3

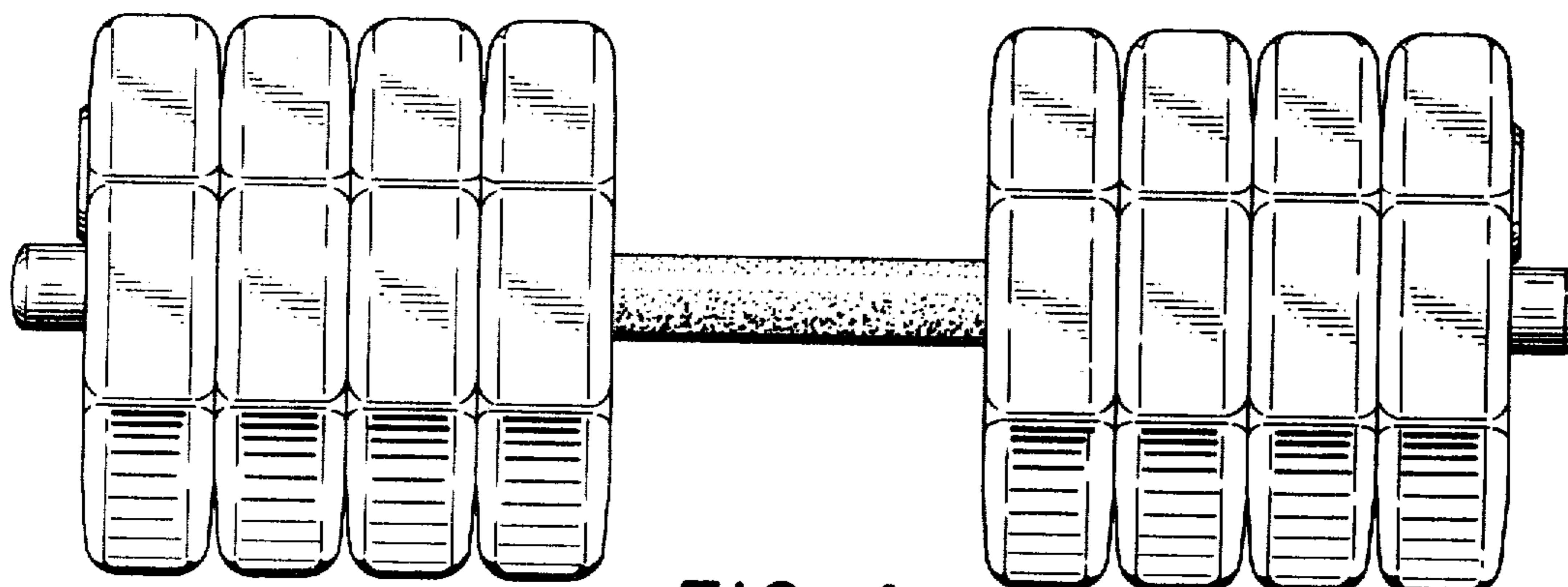


FIG. 4

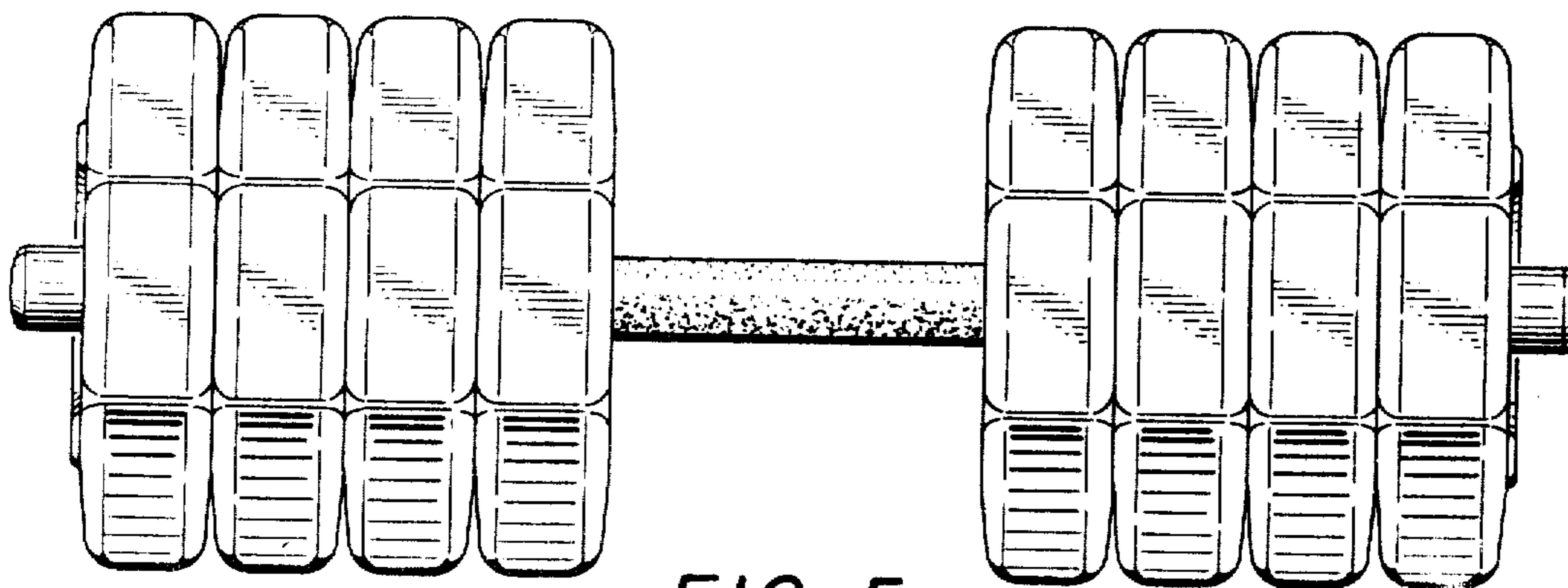


FIG. 5