

[54] OPTHALMIC INSTRUMENT
 [75] Inventors: Paul A. Jordan, Oneida; Edwin A. Speaker, Brockport, both of N.Y.
 [73] Assignee: Bausch & Lomb Incorporated, Rochester, N.Y.
 [**] Term: 14 Years
 [21] Appl. No.: 314,599
 [22] Filed: Oct. 26, 1981
 [51] Int. Cl. D16-06
 [52] U.S. Cl. D16/130
 [58] Field of Search D16/130; 351/245, 211, 351/214

4,139,280 2/1979 Köhler 351/245
 4,187,005 2/1980 Rosenberger 351/245

FOREIGN PATENT DOCUMENTS

2054898 2/1981 United Kingdom 351/245

OTHER PUBLICATIONS

Journal of the American Optometric Ass'n, 7/80, vol. 51 Marco Ad p. 648; Symmed, p. 659; Coherent Ad p. 854, vol. 51, No. 9, 9/80; Marco Ad, p. 1110, vol. 51, No. 12, 12/80.

Primary Examiner—Wallace R. Burke
 Assistant Examiner—Horace B. Fay, Jr.
 Attorney, Agent, or Firm—Bernard D. Bogdon; John S. Norton

[56] References Cited

U.S. PATENT DOCUMENTS

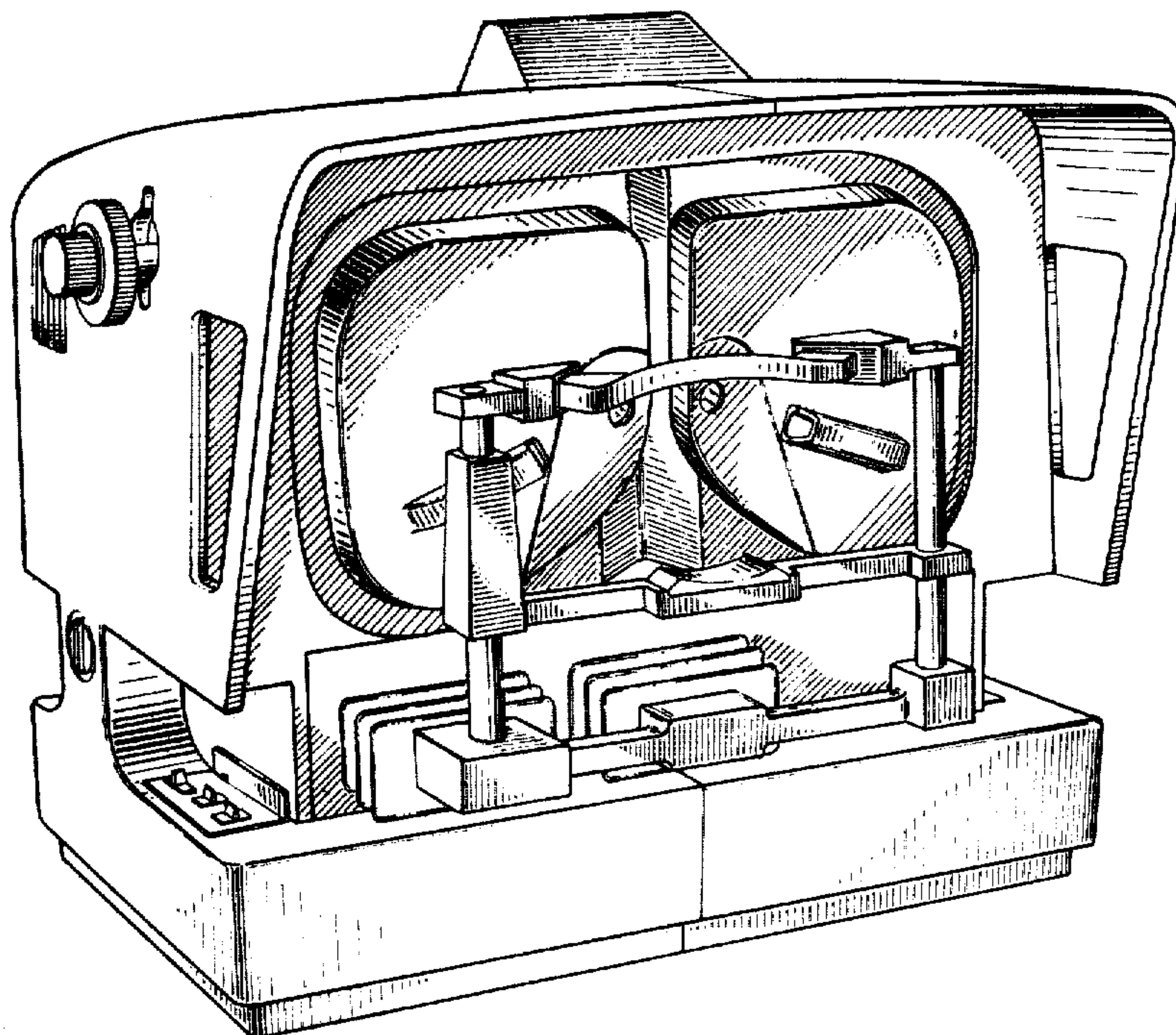
1,633,979 12/1928 Ferree et al. 351/245
 1,657,601 1/1928 Armbruster 351/245
 3,594,072 7/1971 Feather et al. 351/245
 3,797,921 3/1974 Kilmer et al. 351/245
 3,824,005 7/1974 Woestman 351/245
 3,891,311 6/1975 Fletcher et al. 351/245
 4,095,859 6/1978 Decker et al. 351/245
 4,102,564 7/1978 Michael 351/245
 4,128,317 12/1978 LeCover 351/245

[57] CLAIM

The new and ornamental design for an ophthalmic instrument, or similar article substantially as shown and described.

DESCRIPTION

FIG. 1 is a front perspective view of our new design for an ophthalmic instrument or similar article taken from the left side thereof; and
 FIG. 2 is a rear perspective view of the instrument of FIG. 1 taken from the right side thereof.



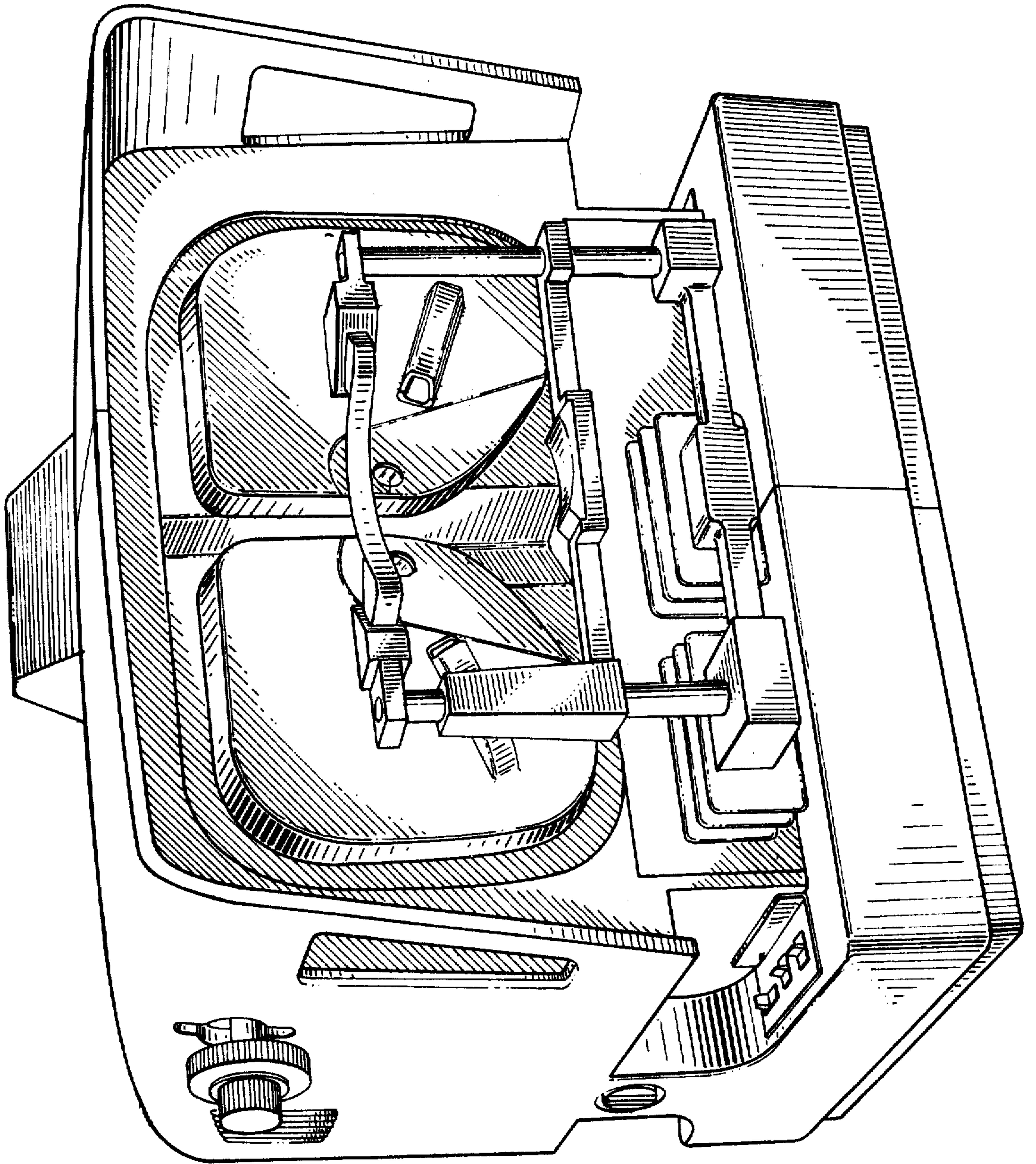


FIG. 1

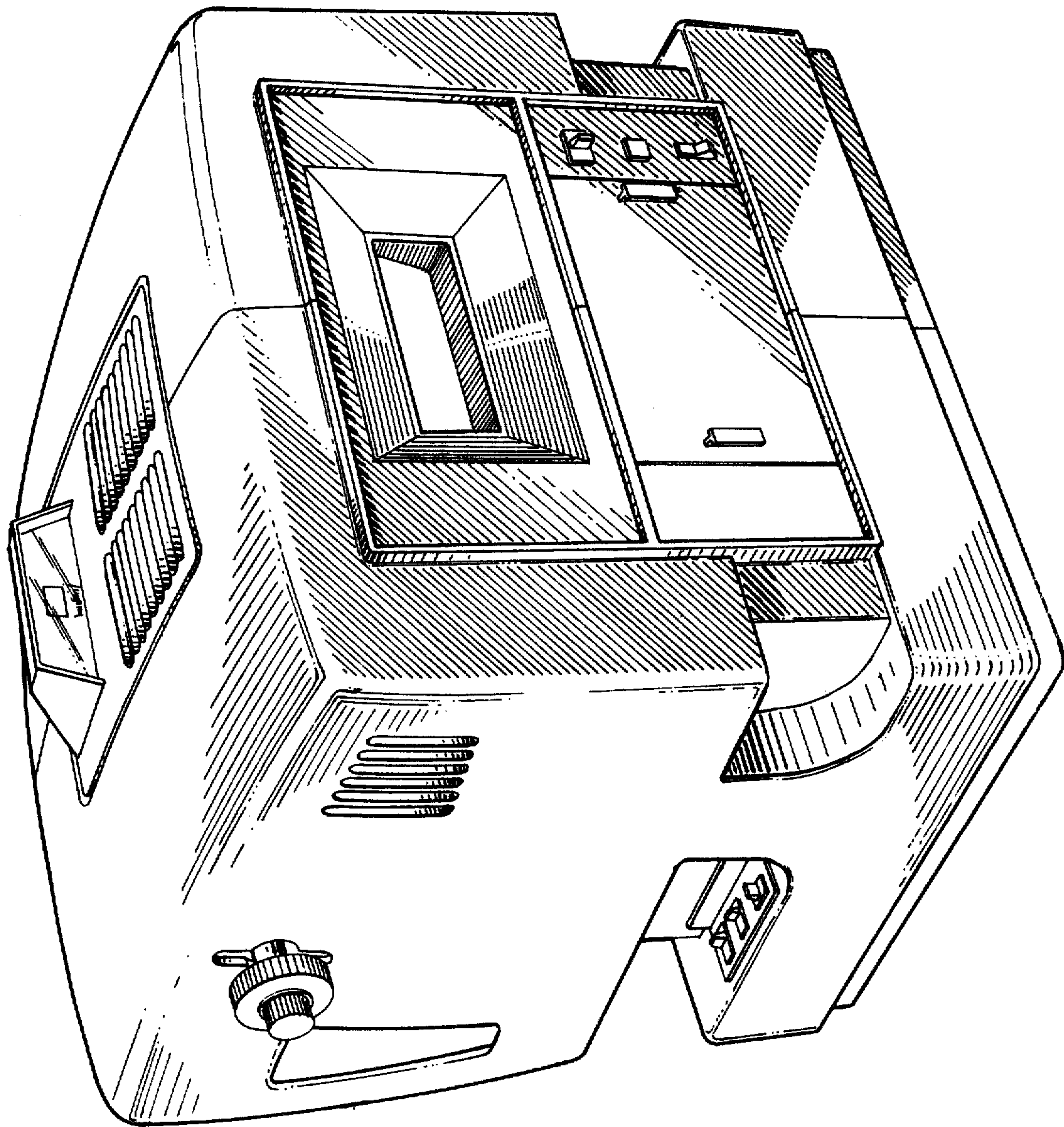


FIG. 2