

[54] REAR MOUNTED MOWER FOR TRACTORS

[56]

References Cited

U.S. PATENT DOCUMENTS

[75] Inventors: James E. McCause, Ogle County; George E. Draege, Oregon, both of Ill.; Richard J. Robbins, Derby, Kans.; Timothy A. Sevick, Oregon, Ill.; Richard E. Ten Eyck, Wichita, Kans.

D. 206,756	1/1967	Bottenberg	D15/14
D. 227,498	6/1973	McCause et al.	D15/14
2,968,354	1/1961	Berry	56/6
3,197,948	8/1965	Danford	56/15.8

Primary Examiner—T. Tung
Attorney, Agent, or Firm—Schmidt, Johnson, Hovey & Williams

[73] Assignee: Hesston Corporation, Hesston, Kans.

[57]

CLAIM

[**] Term: 14 Years

The ornamental design for a rear mounted mower for tractors, as shown and described.

[21] Appl. No.: 142,438

DESCRIPTION

[22] Filed: Apr. 21, 1980

FIG. 1 is a perspective view showing the top and one side of the rear mounted mower for tractors;

FIG. 2 is a perspective view showing the top and the front thereof;

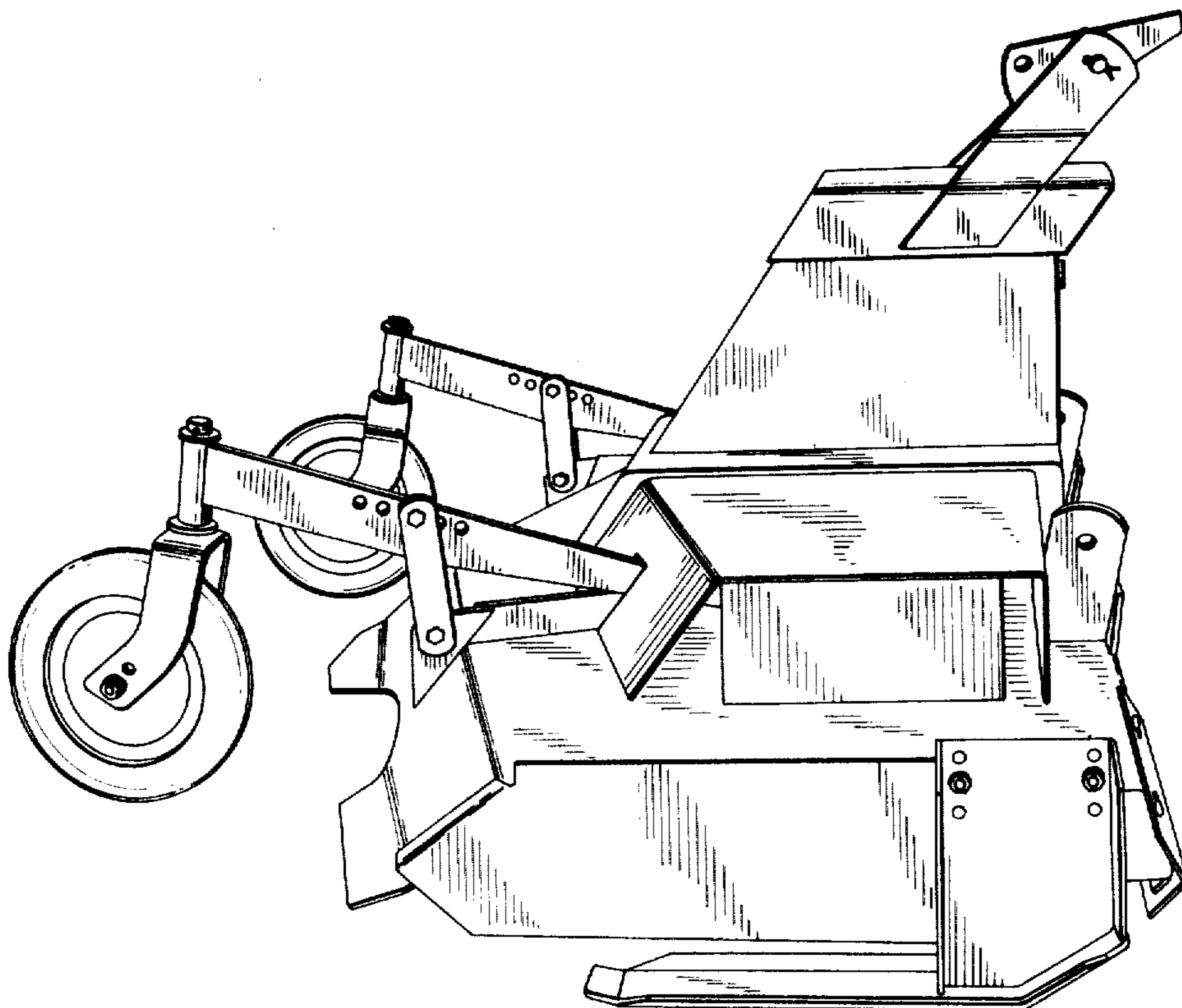
FIG. 3 is a perspective view showing the top and the rear thereof.

[51] Int. Cl. D15—03

[52] U.S. Cl. D15/27

[58] Field of Search D15/14, 27; 56/6, 17.1, 56/16.7, 15.7, 15.8

That side of the rear mounted mower for tractor opposite to the side shown in FIG. 1 is identical therewith and without further ornamentation.



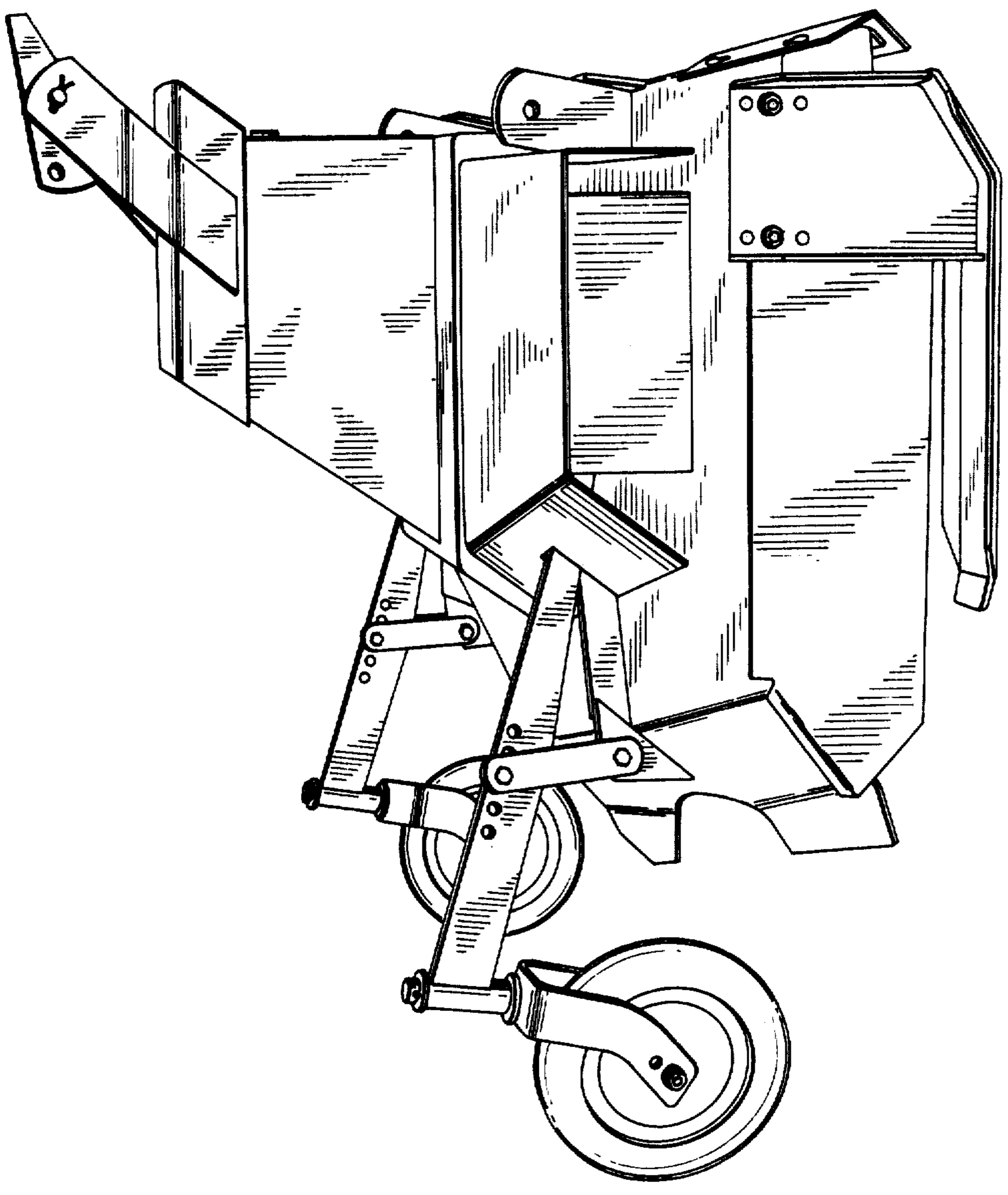


FIG. 1

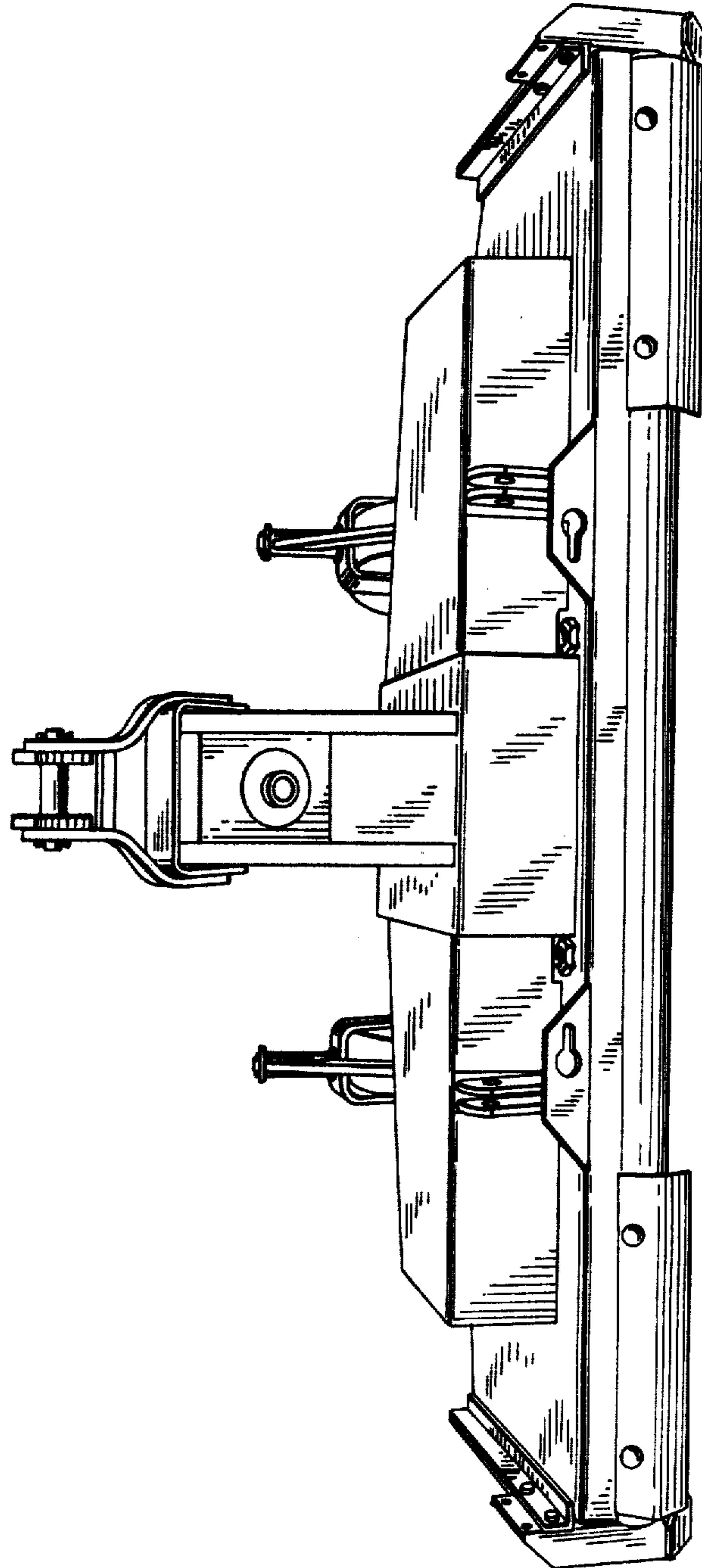


FIG. 2

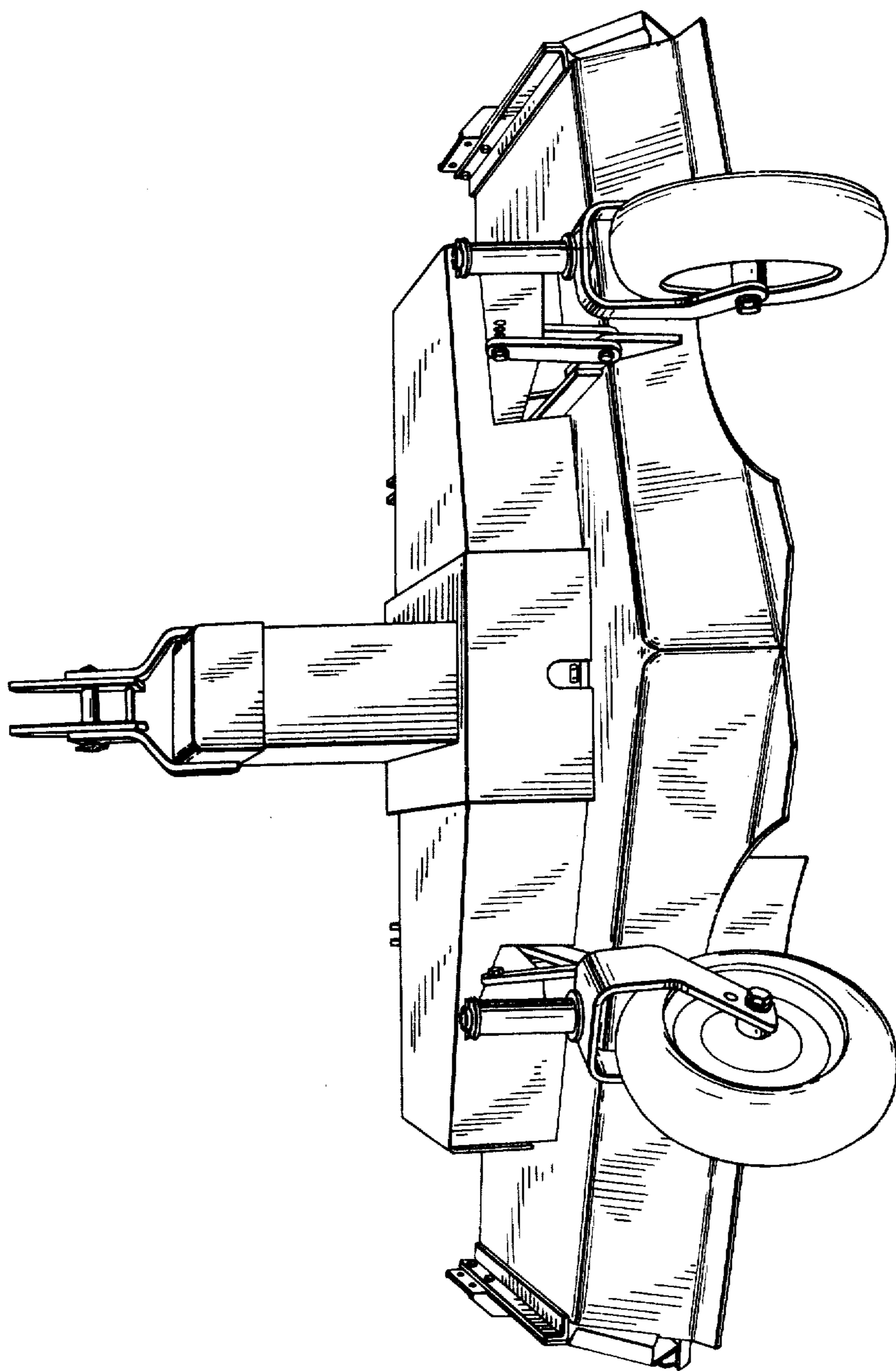


FIG. 3