

[54] **LOADING SHOVEL**

[75] Inventor: **Takayasu Inui**, Hirakata, Japan

[73] Assignee: **Kabushiki Kaisha Komatsu Seisakusho**, Tokyo, Japan

[**] Term: **14 Years**

[21] Appl. No.: **276,664**

[22] Filed: **Jun. 23, 1981**

[30] **Foreign Application Priority Data**
 Jan. 23, 1981 [JP] Japan 56-1857

[51] **Int. Cl.** **D15-03**

[52] **U.S. Cl.** **D15/24; D15/25**

[58] **Field of Search** **D15/25, 24, 33;**
 180/9.2, 9.46, 9.5, 89.1, 89.12; 214/195 R, 140,
 131 R; 236/177; 37/118 R, 118 A

3,869,018 3/1975 Muller 180/89.12
 3,929,204 12/1975 Newell 180/9.26
 4,301,607 11/1981 Inui 37/118 R

FOREIGN PATENT DOCUMENTS

1634911 8/1970 Fed. Rep. of Germany 180/9.3

Primary Examiner—Wallace R. Burke
Assistant Examiner—Suzanne N. Gitlin
Attorney, Agent, or Firm—Armstrong, Nikaido,
 Marmelstein & Kubovcik

[57] **CLAIM**

The ornamental design for loading shovel, as shown and described.

DESCRIPTION

FIG. 1 is a front elevational view of a loading shovel showing my new design;
 FIG. 2 is a right-hand side elevational view thereof;
 FIG. 3 is a left-hand side elevational view thereof;
 FIG. 4 is a top plan view thereof;
 FIG. 5 is a rear elevational view thereof; and
 FIG. 6 is a bottom plan view thereof.

[56] **References Cited**
U.S. PATENT DOCUMENTS
 D. 208,693 9/1967 Prime D15/24

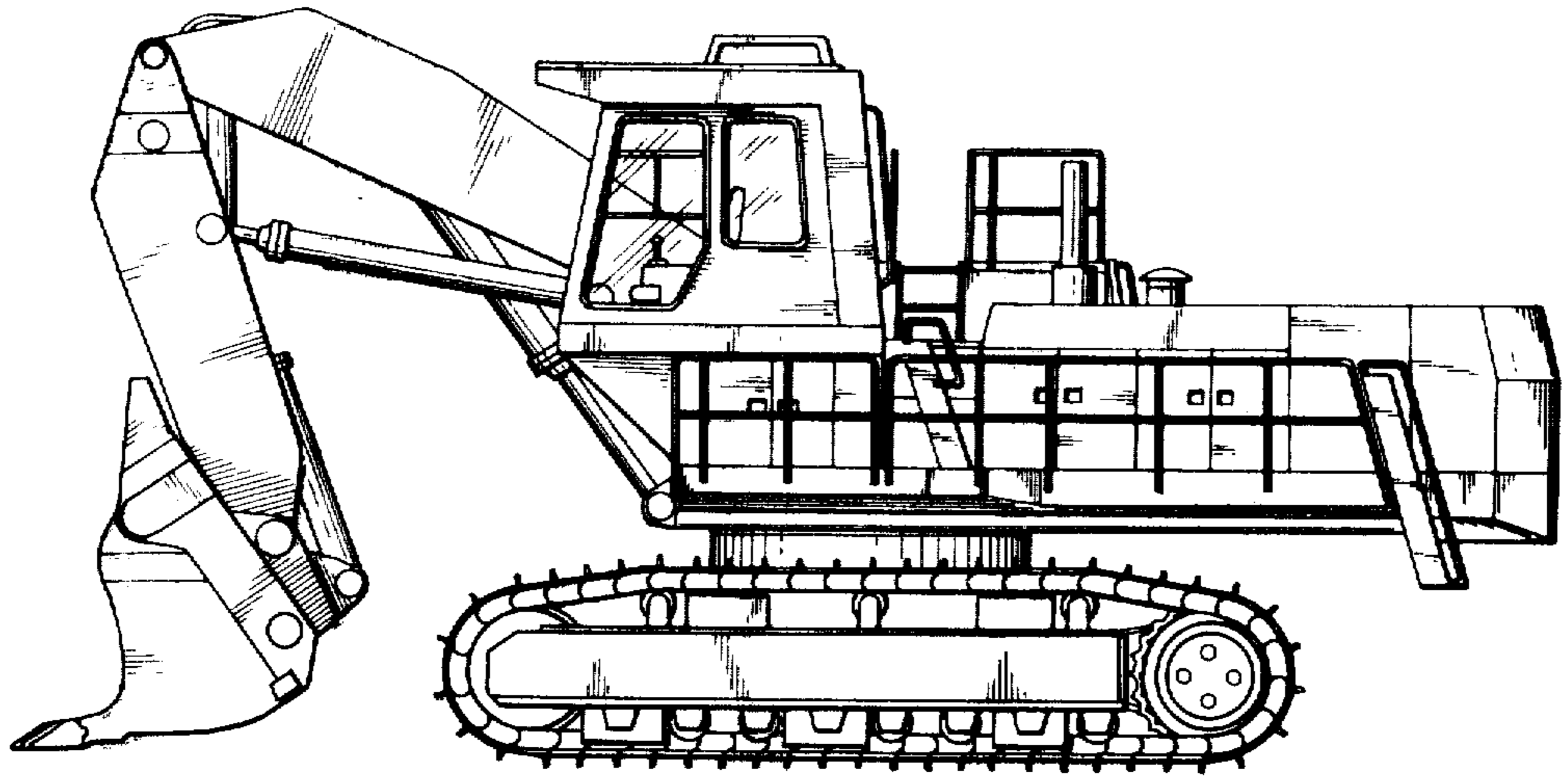


FIG. 1

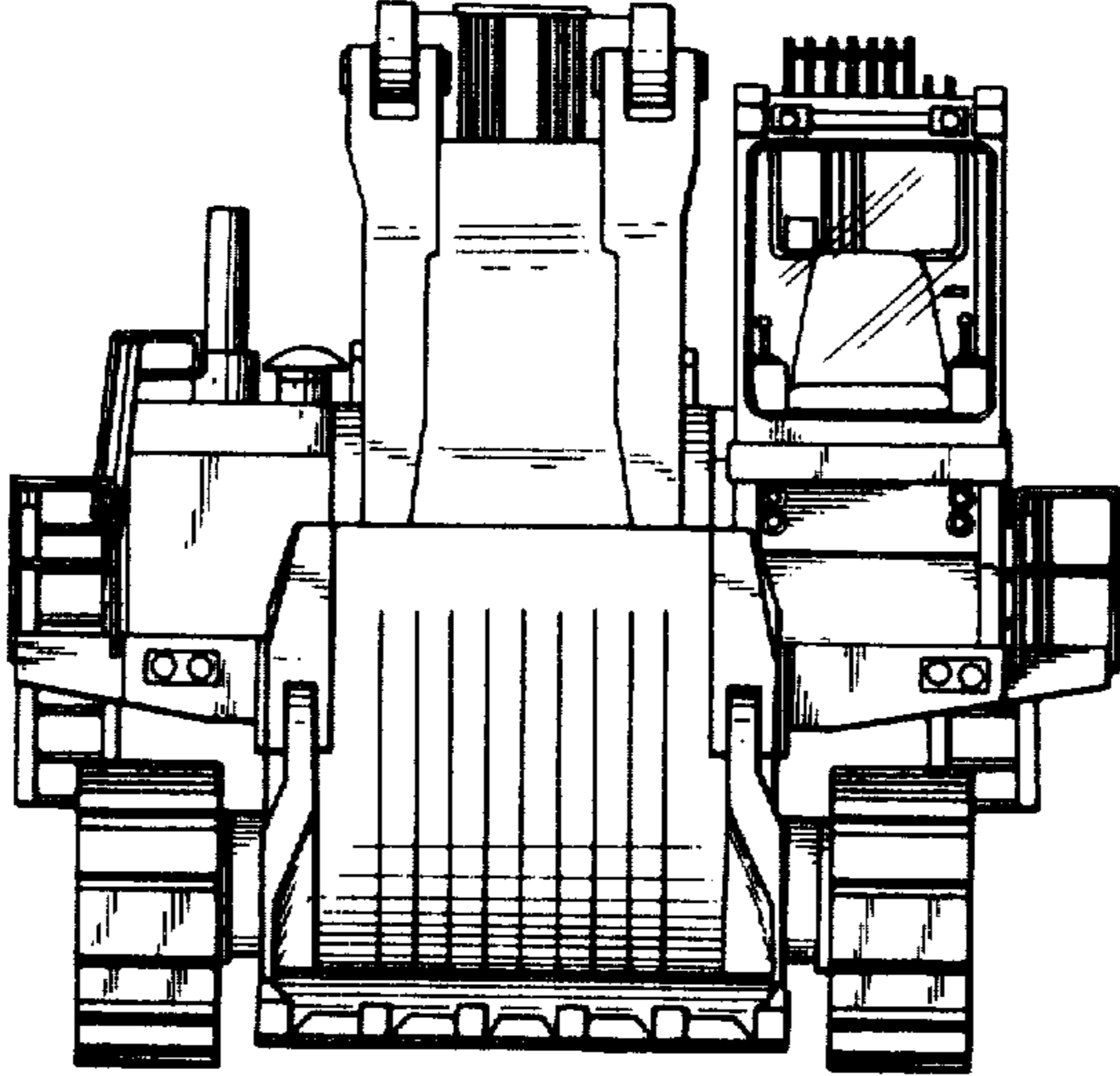


FIG. 2

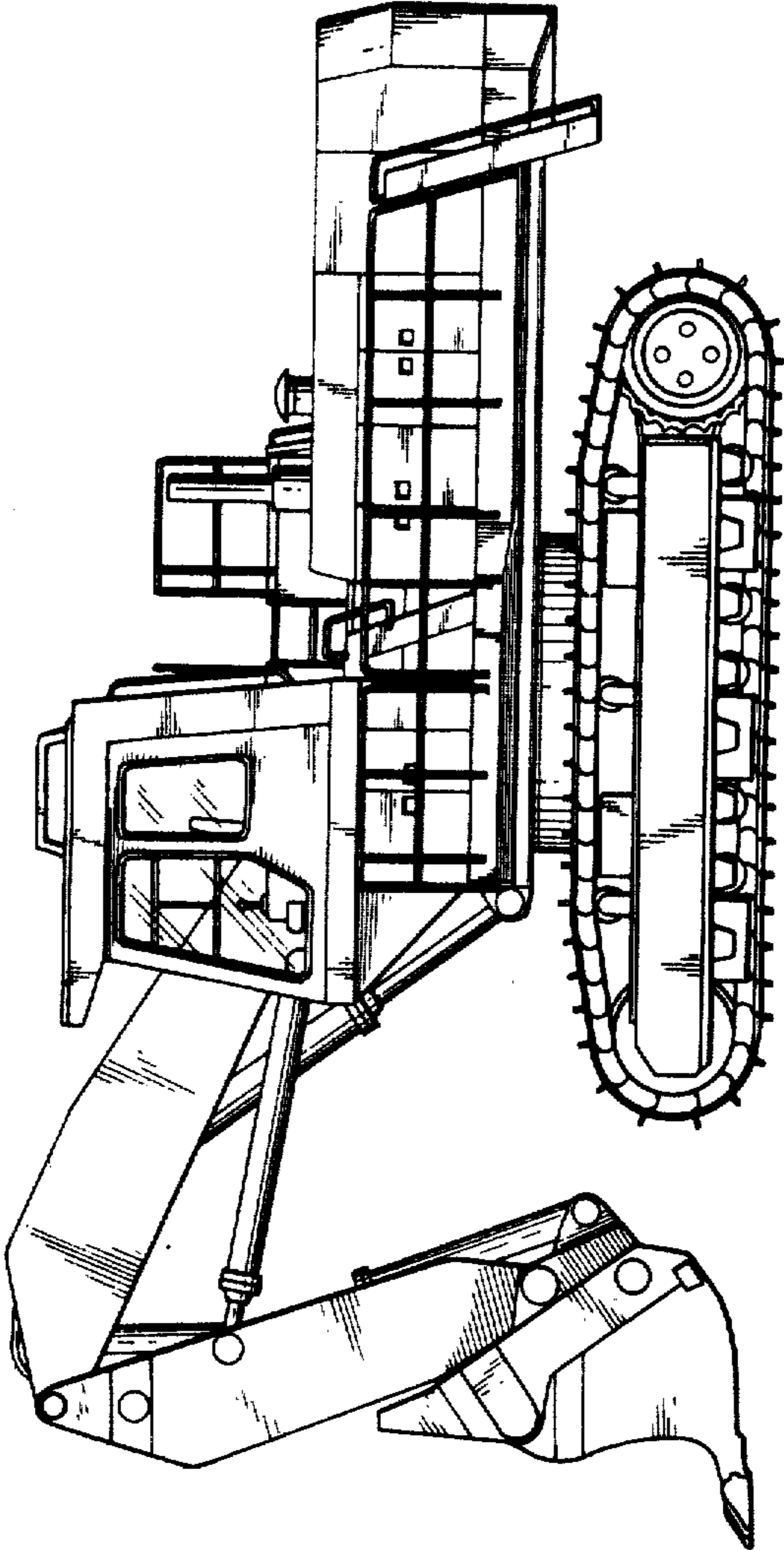


FIG. 3

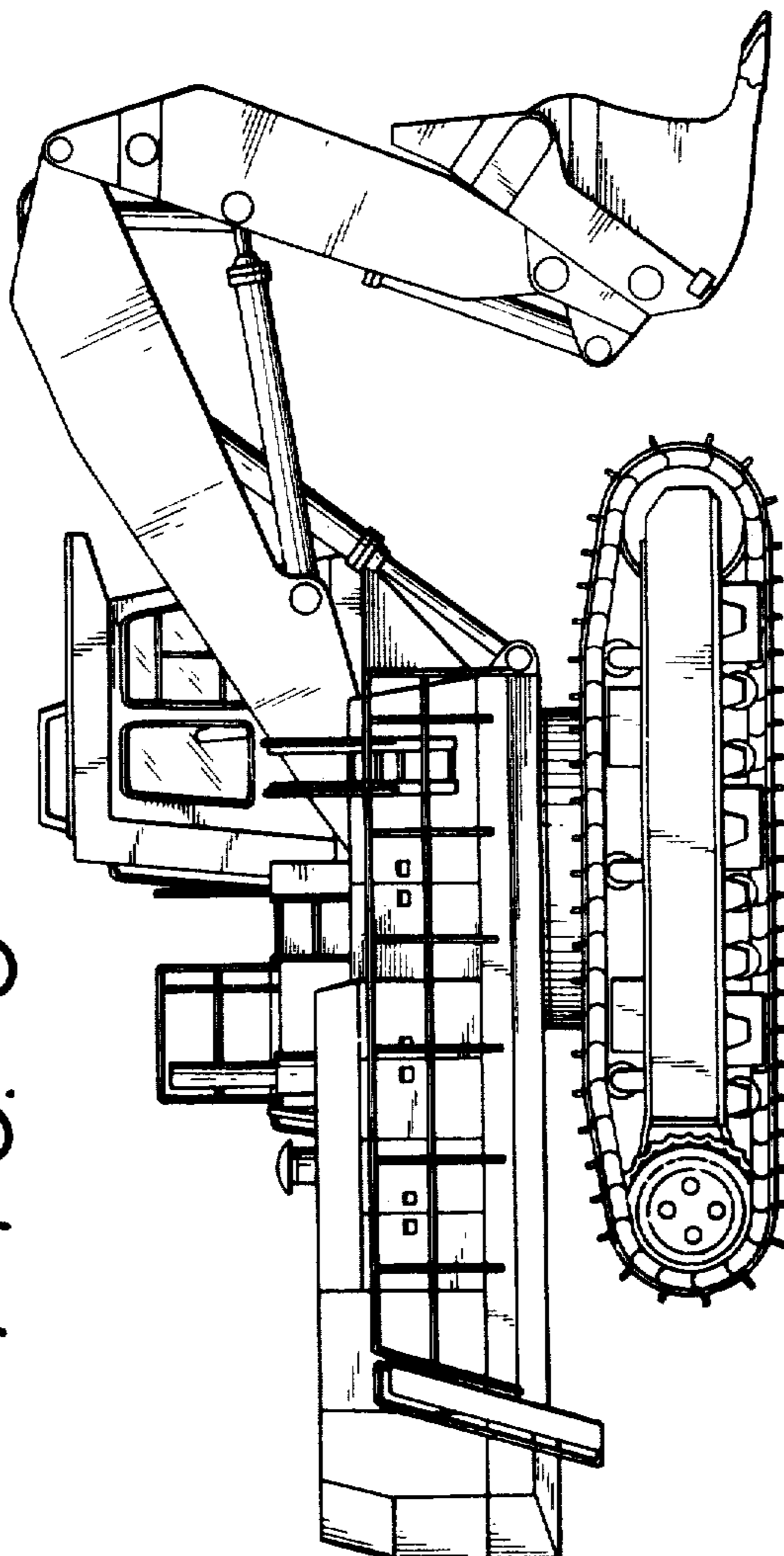


FIG. 4

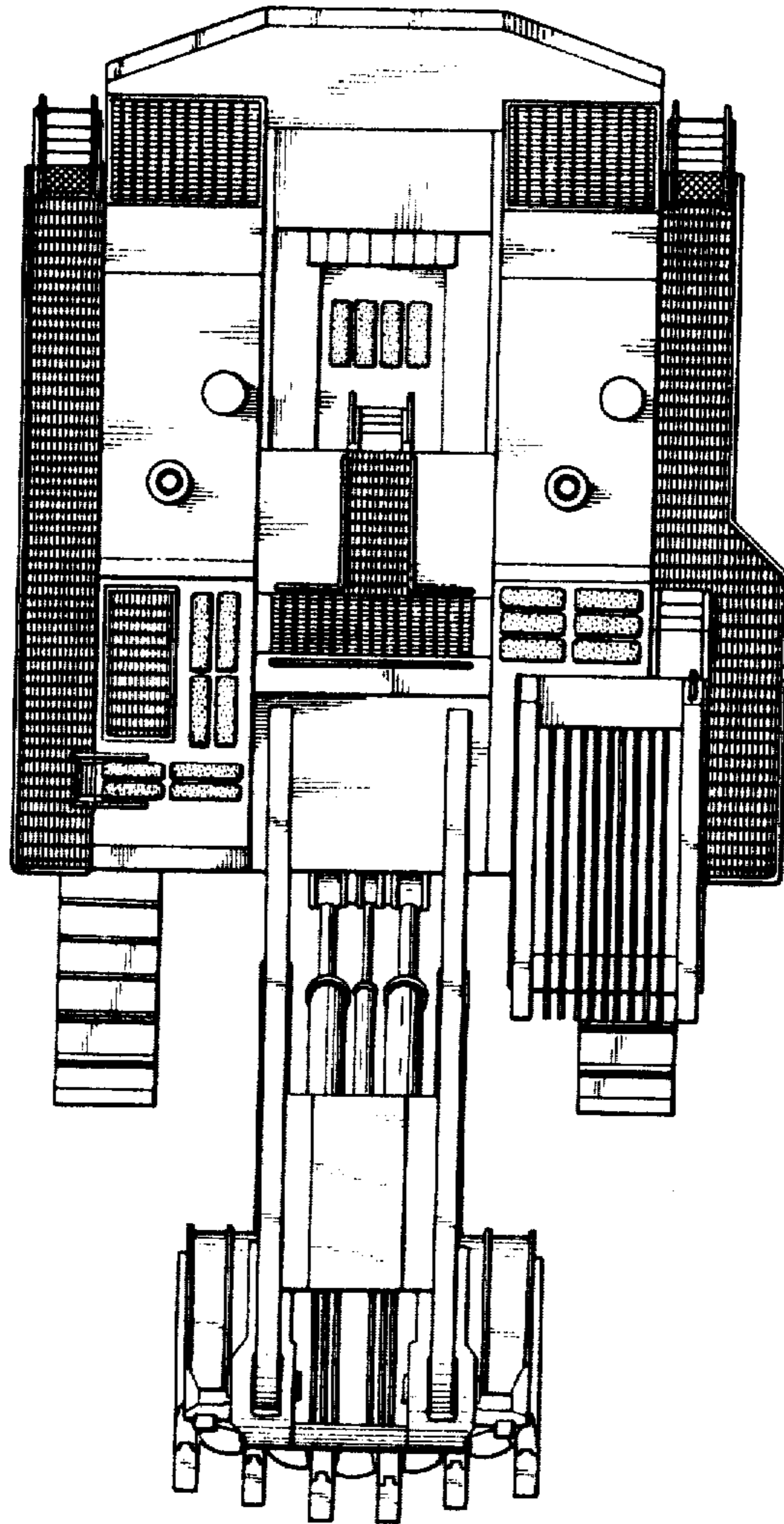


FIG. 5

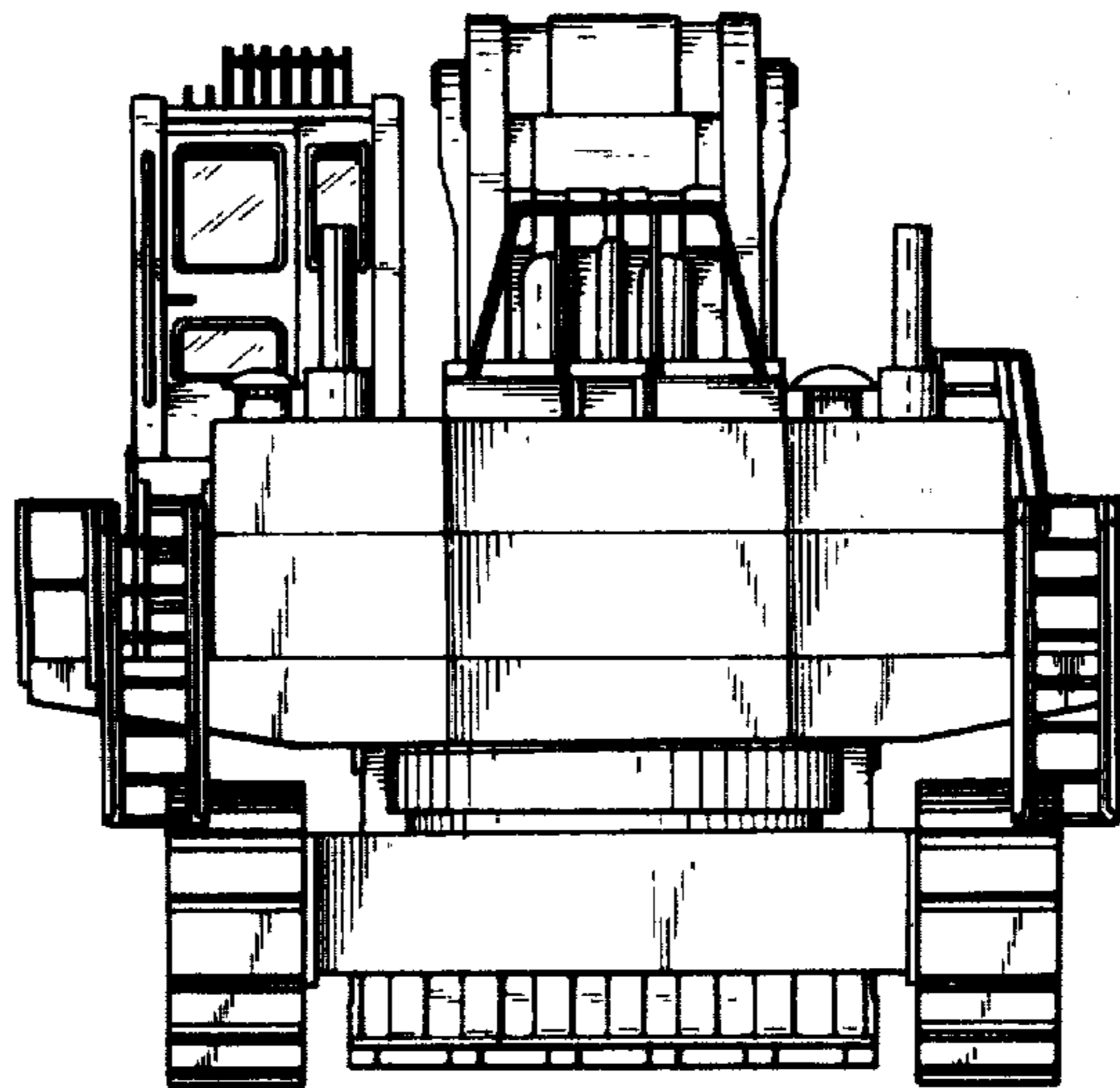


FIG. 6

